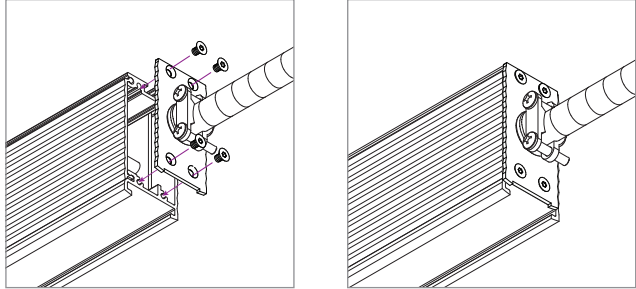


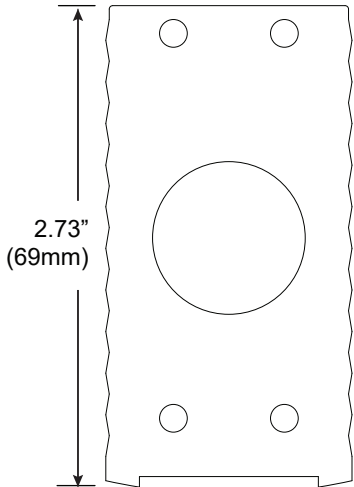
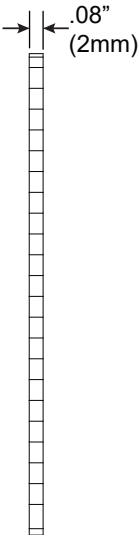
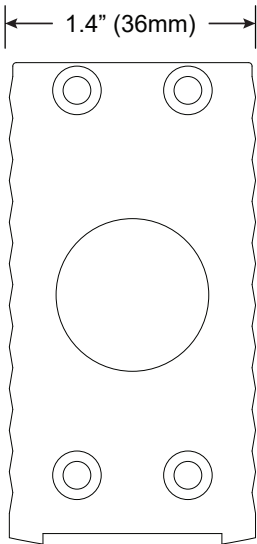
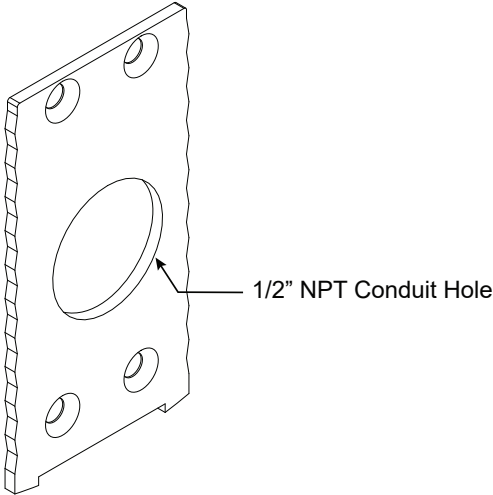
Integral Bus End Feed Cap

For use with Integral Bus

Optional end feed caps for integral bus. End Cap has 1/2" NPT conduit hole.



Technical Support: 707-996-9898



PART NUMBER **EC-167-IP-2.75-EF-YY**

DESCRIPTION End Feed Cap, integral bus for 2.73" x 1.4" (69mm x 36mm) housing, clear anodized, black anodized or white painted finish.