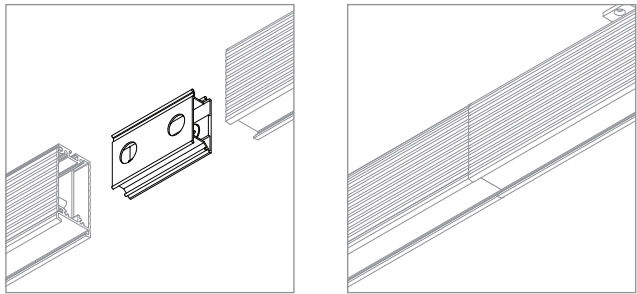


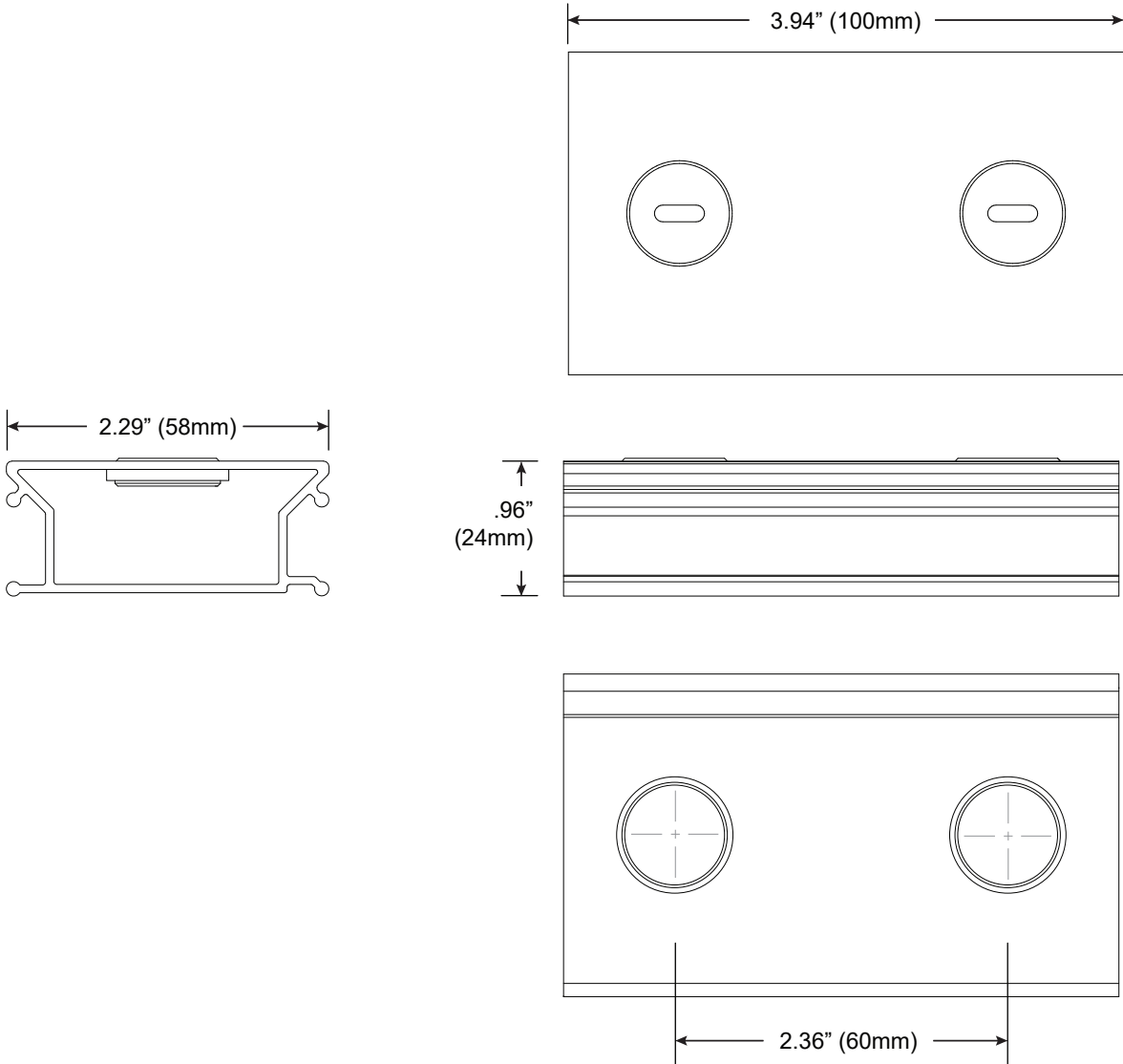
Integral Bus Coupler

For use with Integral Bus

Aligns and secures two integral bus housings together.



Technical Support: 707-996-9898



PART NUMBER **CP-167-2.75**

DESCRIPTION Coupler, integral bus for 2.73" x 1.4" (69mm x 36mm) housing