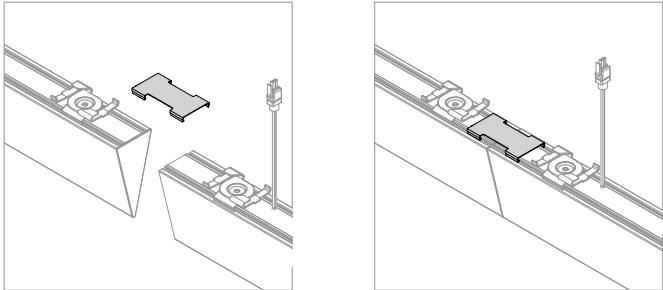


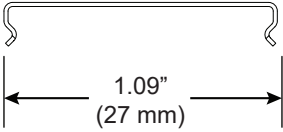
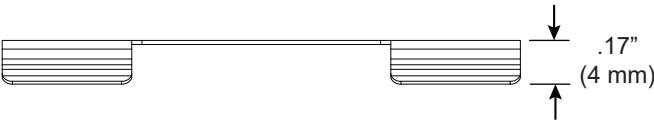
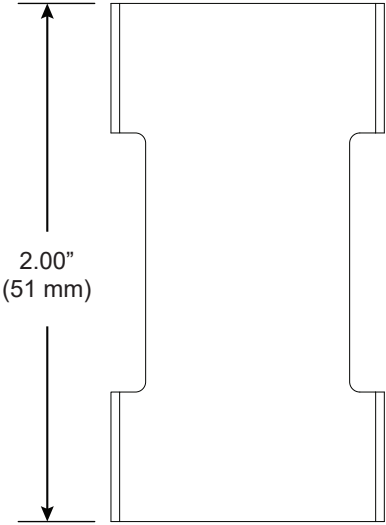
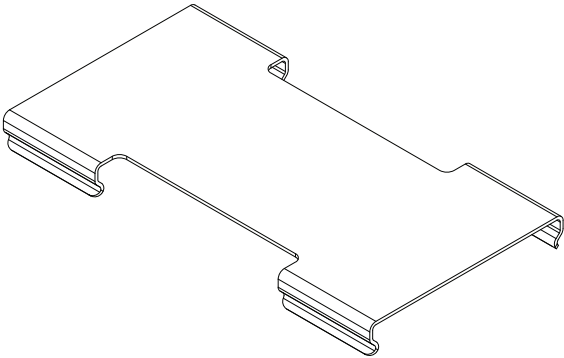
# Joiner Clip

For use with Wedge® | 707

Aligns Wedge | 707 rails when mounted end-to-end.  
Compatible with all mounting applications. One clip is provided for every pair of rails.



Technical Support: 707-996-9898



PART NUMBER **CS-00006**

DESCRIPTION Clip, System LED 707, ZipTwo & Wedge, joiner clip