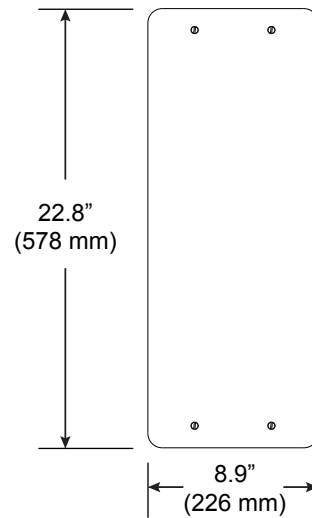
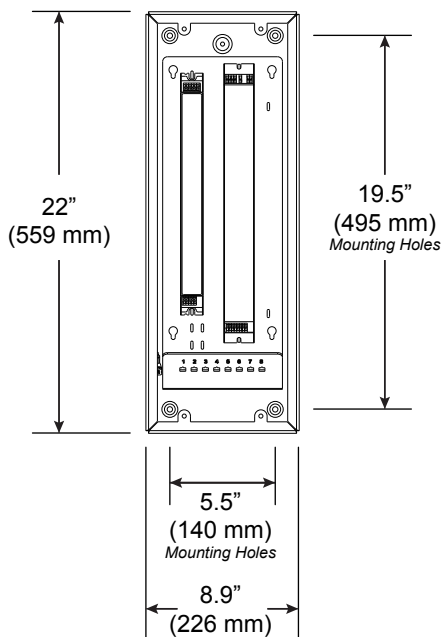
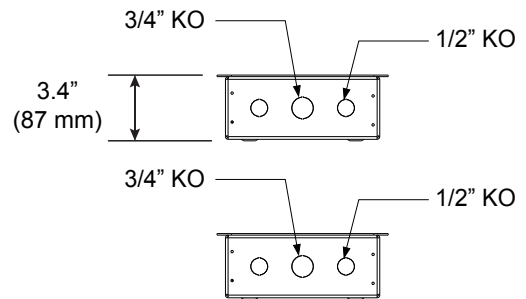
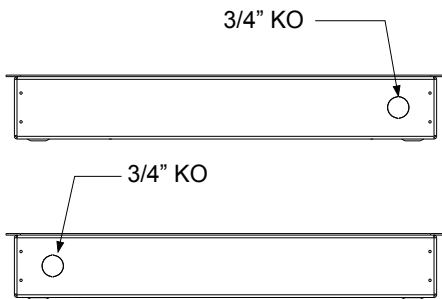
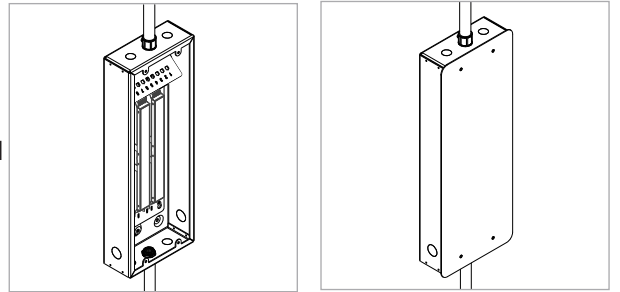


Small VodeNODE

For use with all Vode Systems

Three 50w or two 100W drivers, white powder coated, aluminium power enclosure with 200W maximum load. Fits most Vode standard linear drivers. Drivers are supplied prewired for ease of installation, with (4) 1/2" and (4) 3/4" knockouts. Designated mounting points allow for a variety of installation locations. See VodeNODE guide for system specifics.

Technical Support: 707-996-9898



PART NUMBER **PH-VN3-XX...XX**

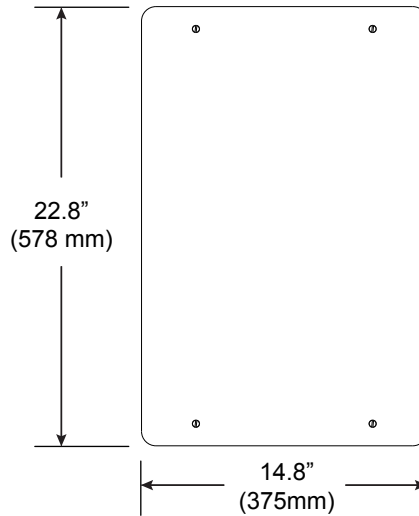
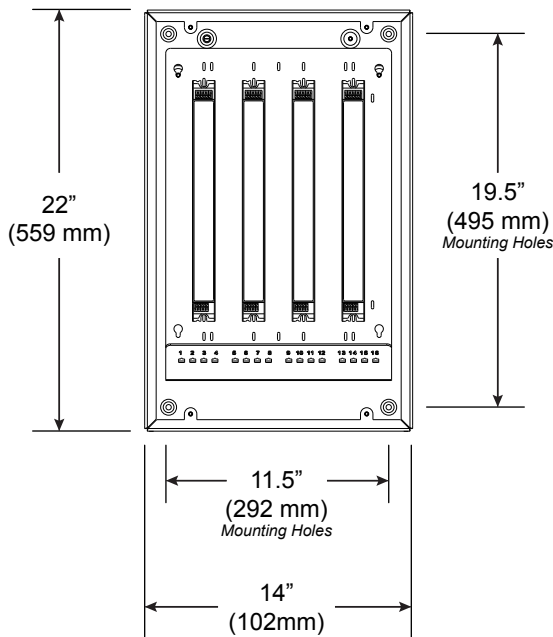
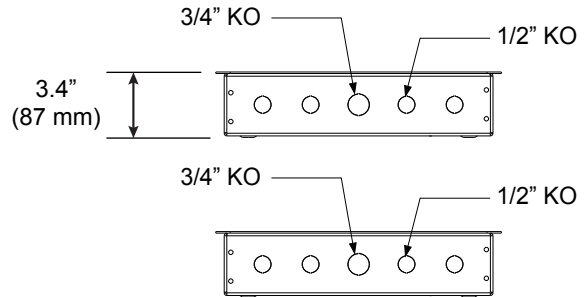
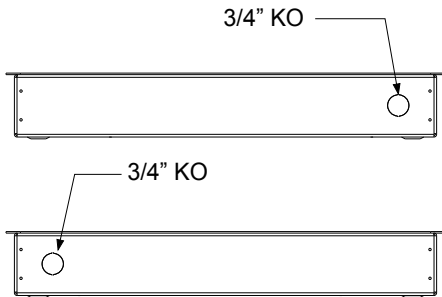
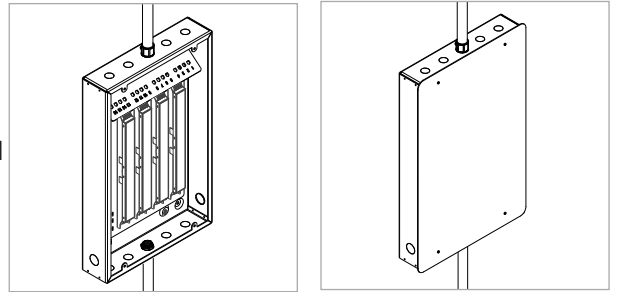
DESCRIPTION Power Housing, VodeNODE, up to 3 (50W) drivers, 8 output ports, aluminum, powder white

Medium VodeNODE

For use with all Vode Systems

Four 50w or three 100W drivers, white powder coated, aluminium power enclosure with 300W maximum load. Fits most Vode standard linear drivers. Drivers are supplied prewired for ease of installation, with (8) 1/2" and (4) 3/4" knockouts. Designated mounting points allow for a variety of installation locations. See VodeNODE guide for system specifics.

Technical Support: 707-996-9898



PART NUMBER **PH-VN4-XX....XX**

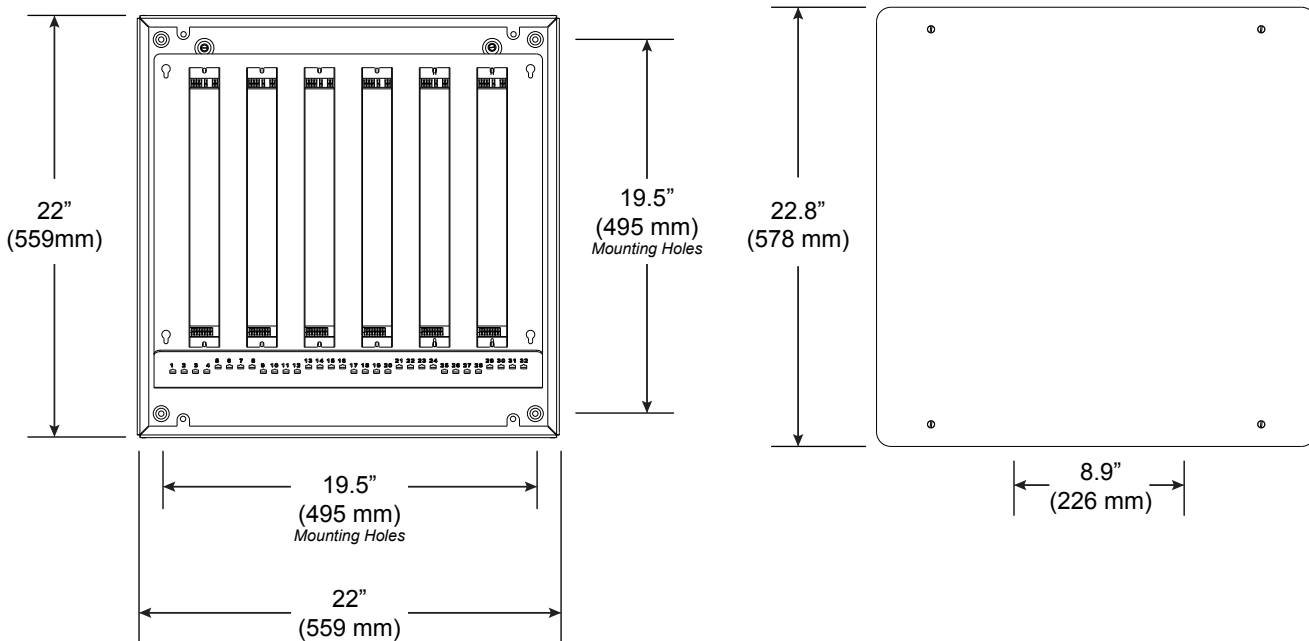
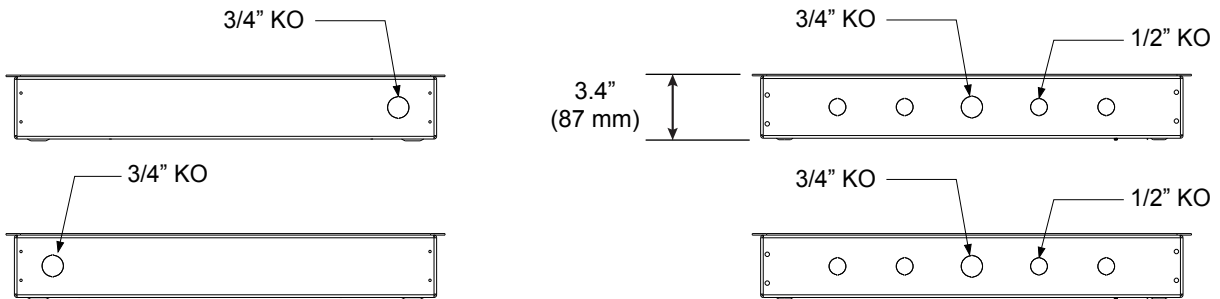
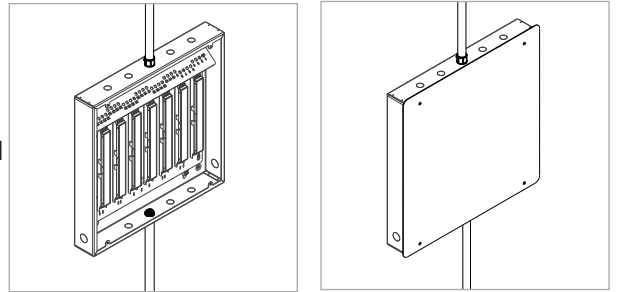
DESCRIPTION Power Housing, VodeNODE, up to 4 (50W) drivers, 16 output ports, aluminum, powder white

Large VodeNODE

For use with all Vode Systems

Eight 50w or six 100W drivers, white powder coated, aluminium power enclosure with 600W maximum load. Fits most Vode standard linear drivers. Drivers are supplied prewired for ease of installation, with (8) 1/2" and (4) 3/4" knockouts. Designated mounting points allow for a variety of installation locations. See VodeNODE guide for system specifics.

Technical Support: 707-996-9898



PART NUMBER **PH-VN8-XX....XX**

DESCRIPTION Power Housing, VodeNODE, up to 8 (50W) drivers, 24 output ports, aluminum, powder white