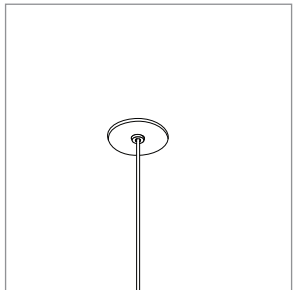
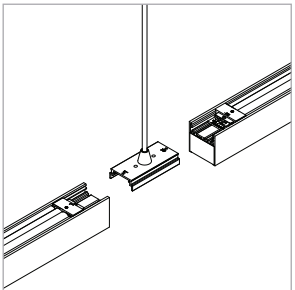


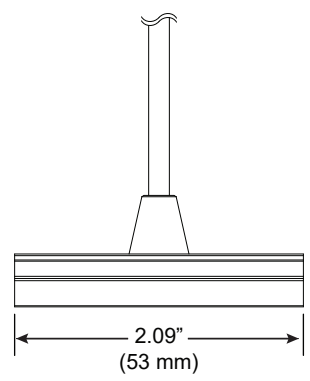
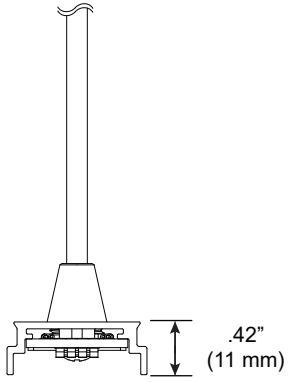
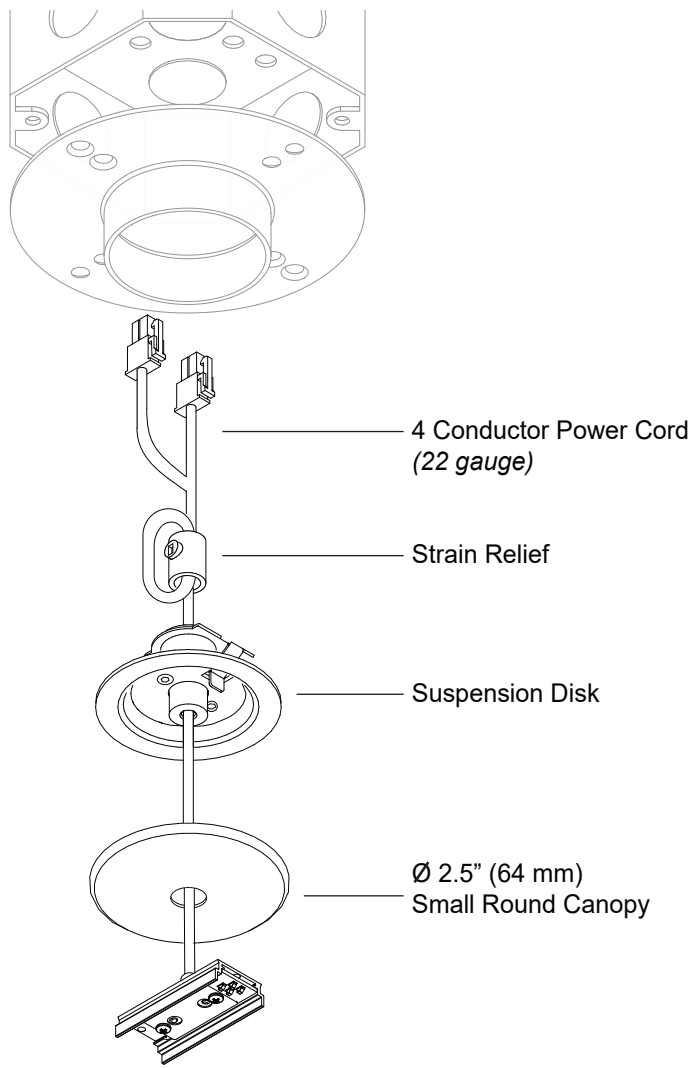
Small Canopy, Direct/Indirect Coupler

For use with System | 207

Connects System | 207 rails together for ceiling cable installations.



Technical Support: 707-996-9898



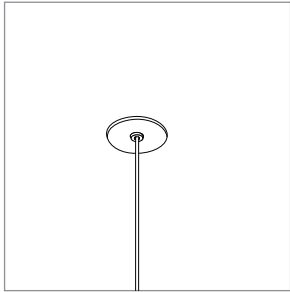
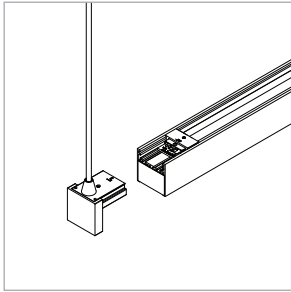
PART NUMBER 207-BX-CP-XX-CC-2R-4C-YY

DESCRIPTION System LED 207, suspension coupler, 48" or 96" (1219mm or 2438mm) cable, small round canopy, 4 conductor with PCBA and terminal, Available in anodized aluminum (AL) and white painted (WH) with white cable and white canopy, black anodized (AB) with black cable and black canopy.

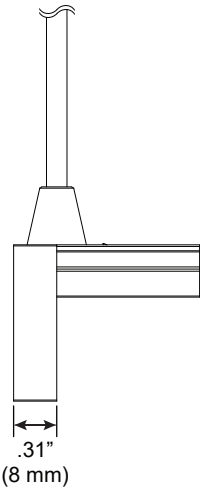
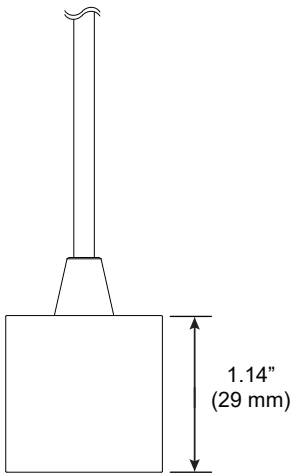
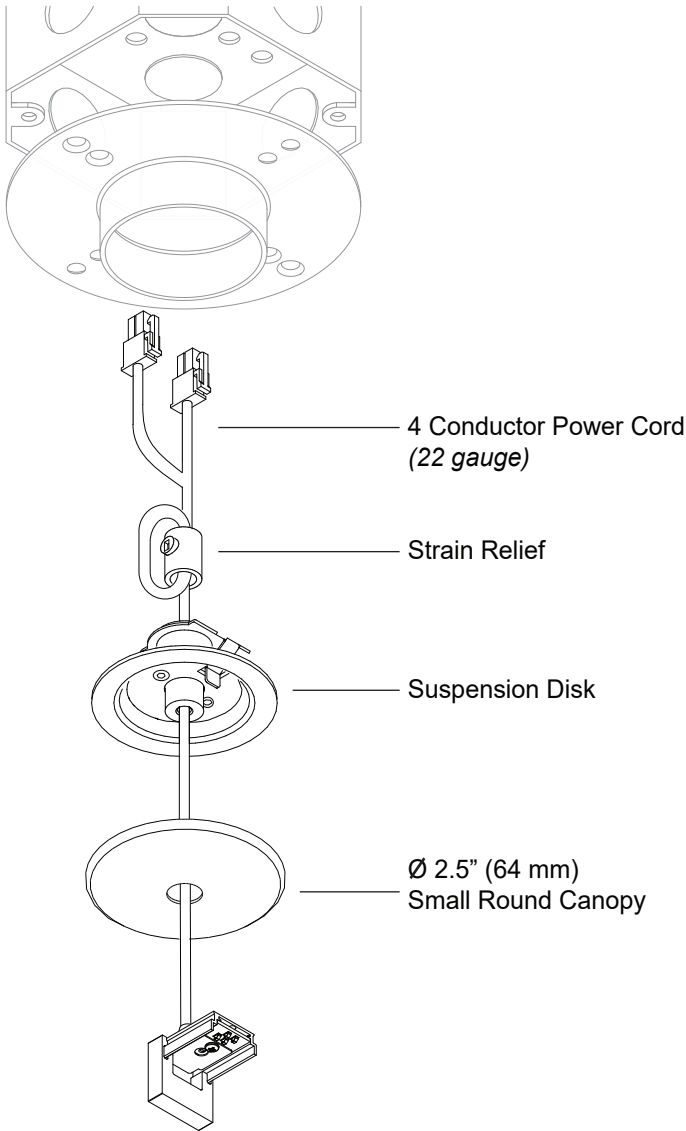
Small Canopy, Direct/Indirect Right Hub

For use with System | 207

Mounts System | 207 rails together for ceiling cable installations.



Technical Support: 707-996-9898



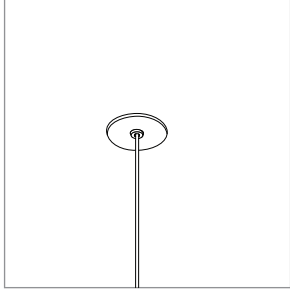
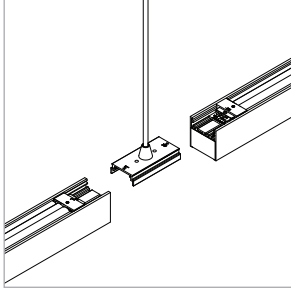
PART NUMBER 207-BX-HB-XX-CC-2R-4C-R-YY

DESCRIPTION System LED 207, right powered suspension hub, 48" or 96" (1219mm or 2438mm) cable, small round canopy, 4 conductor with PCBA and terminal, Available in anodized aluminum (AL) and white painted (WH) with white cable and white canopy, black anodized (AB) with black cable and black canopy.

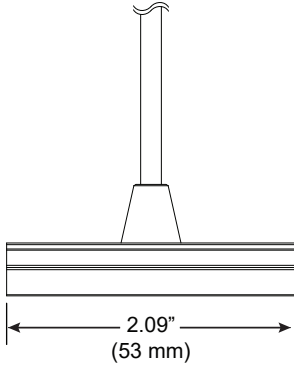
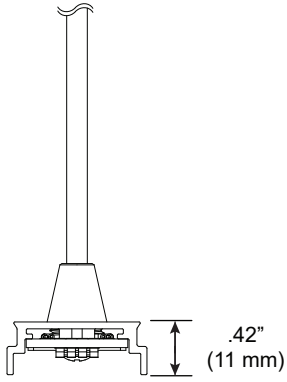
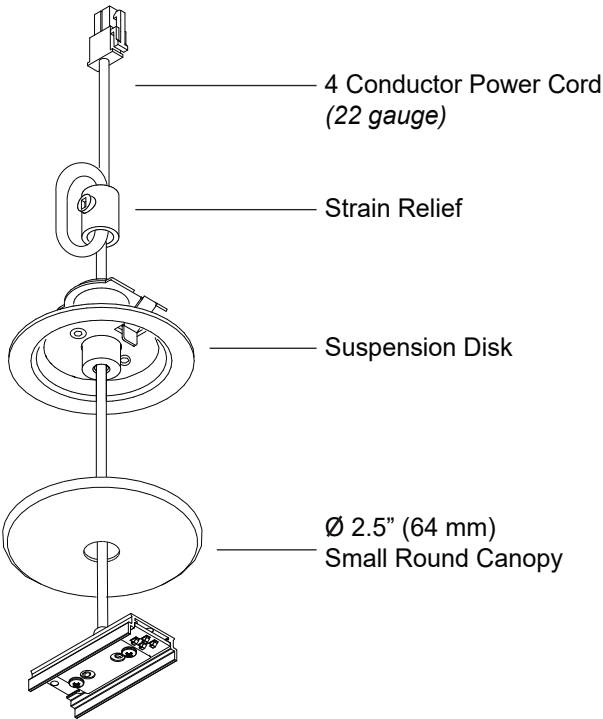
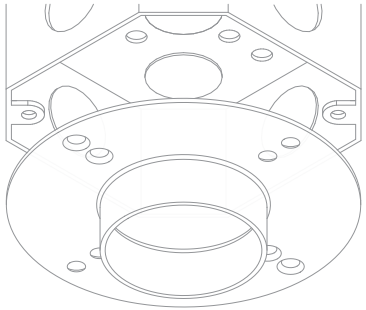
Small Canopy, Single Direction Coupler

For use with System | 207

Connects System | 207 rails together for ceiling cable installations.



Technical Support: 707-996-9898



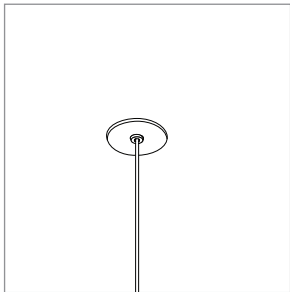
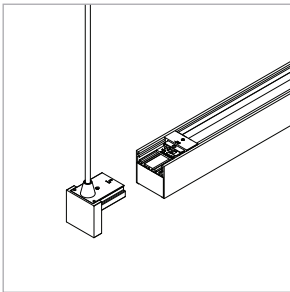
PART NUMBER 207-BX-CP-XX-CC-(UL/DL)-2R-2C-YY

DESCRIPTION System LED 207, suspension coupler, 48" or 96" (1219mm or 2438mm) cable, small round canopy, 2 conductor with PCBA and terminal, Available in anodized aluminum (AL) and white painted (WH) with white cable and white canopy, black anodized (AB) with black cable and black canopy.

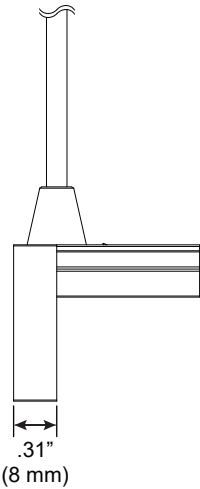
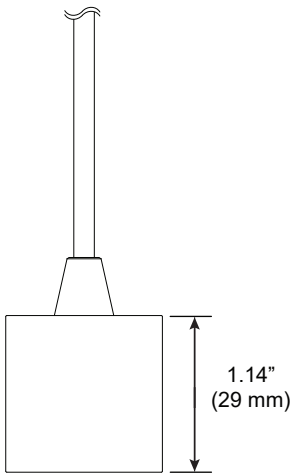
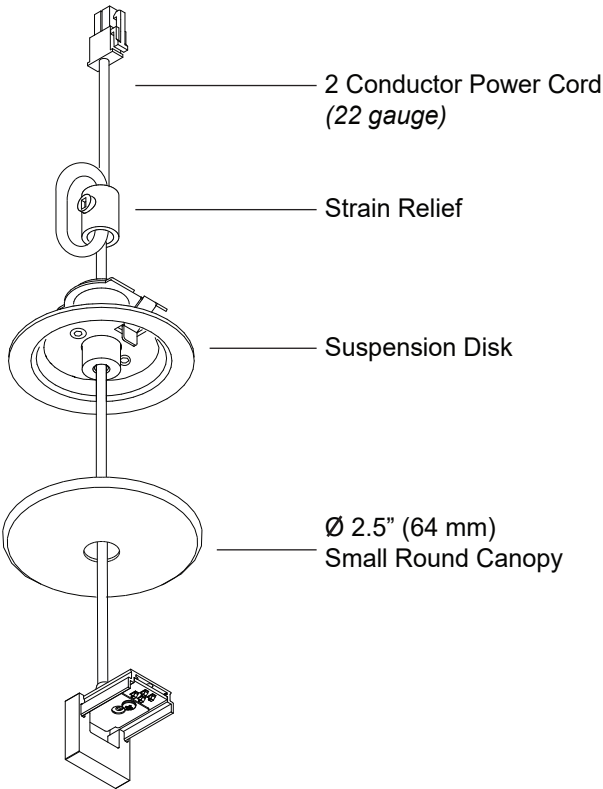
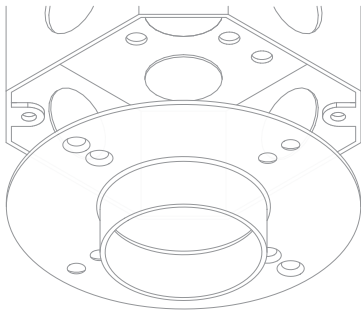
Small Canopy, Single Direction Right Hub

For use with System | 207

Mounts System | 207 rails together for ceiling cable installations.



Technical Support: 707-996-9898



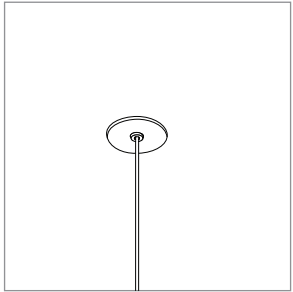
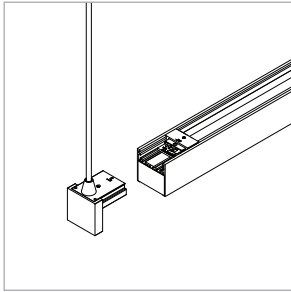
PART NUMBER 207-BX-HB-XX-CC-(UL/DL)-2R-2C-R-YY

DESCRIPTION System LED 207, right powered suspension hub, 48" or 96" (1219mm or 2438mm) cable, small round canopy, 2 conductor with PCBA and terminal, Available in anodized aluminum (AL) and white painted (WH) with white cable and white canopy, black anodized (AB) with black cable and black canopy.

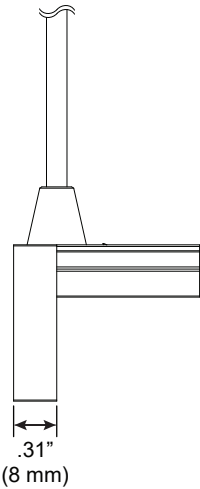
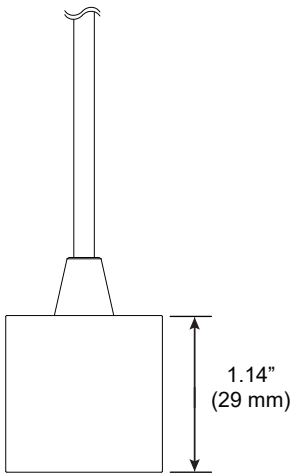
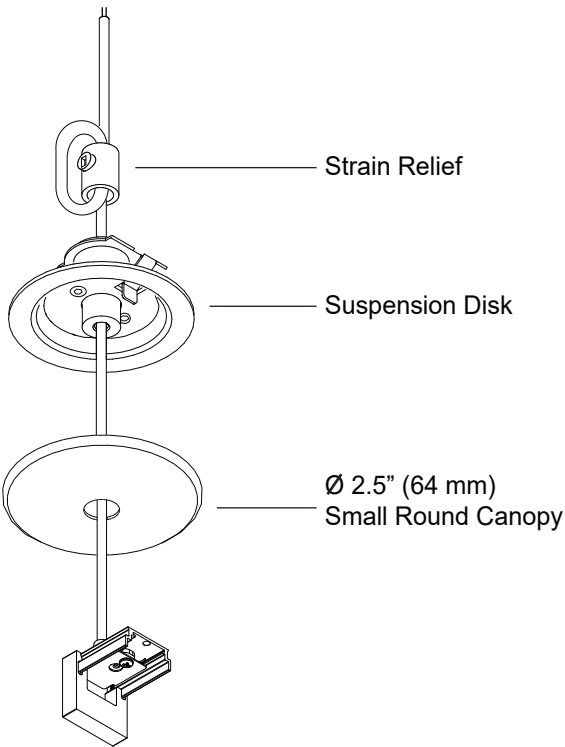
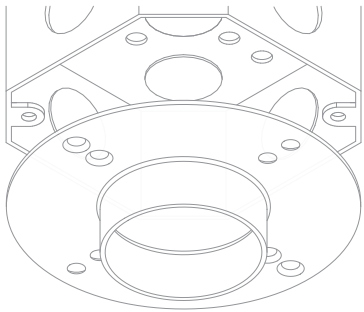
Small Canopy, Left Hub

For use with System | 207

Mounts System | 207 rails together for ceiling cable installations.



Technical Support: 707-996-9898



PART NUMBER 207-BX-HB-XX-CC-2R-L-YY

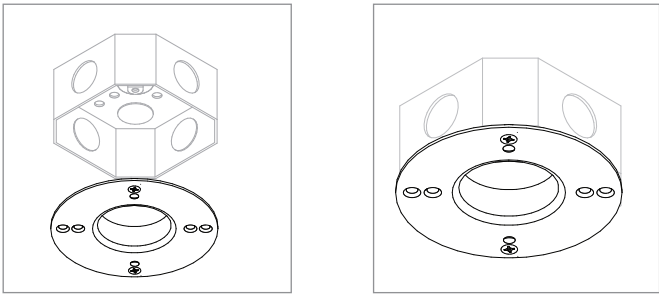
DESCRIPTION System LED 207, left non-powered suspension hub, 48" or 96" (1219 mm or 2438 mm) cable, small round canopy, 4 conductor without PCBA and terminal, Available in anodized aluminum (AL) and white painted (WH) with white cable and white canopy, black anodized (AB) with black cable and black canopy.

Universal Mounting Plate

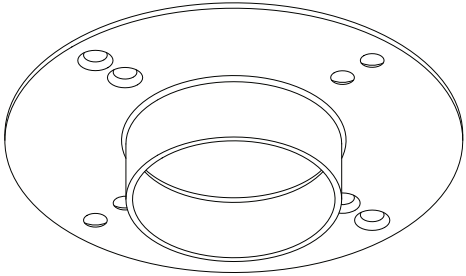
For use with System | 107 | 207 | 707

Mounts System | 107 ceiling cable installations to any standard North American 4" j-box.

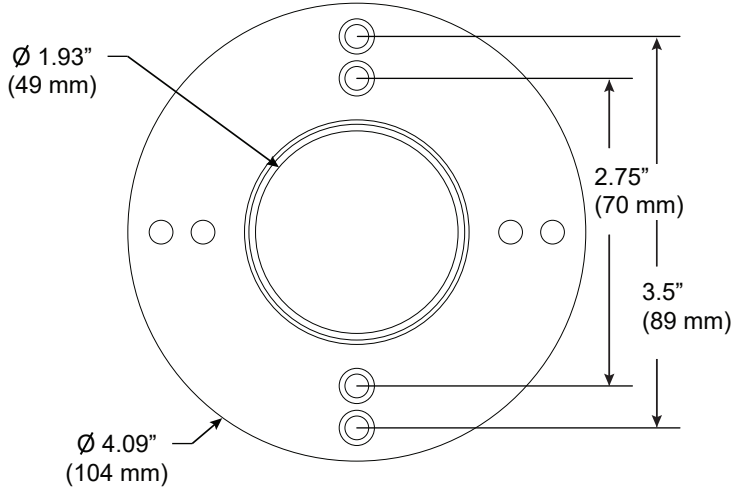
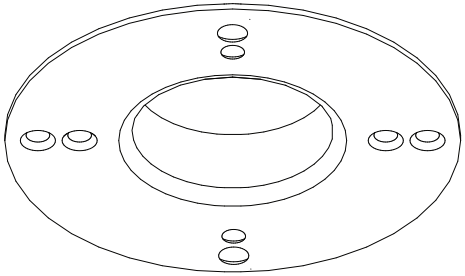
Technical Support: 707-996-9898



Orientation for Small Round Canopy Mounting



Orientation for Large Round Canopy Mounting



PART NUMBER **CAN-107-CC-UMP-YY**

DESCRIPTION Canopy, System 107, ceiling cable, universal mounting plate, available in white painted (W4) and black painted (BL)