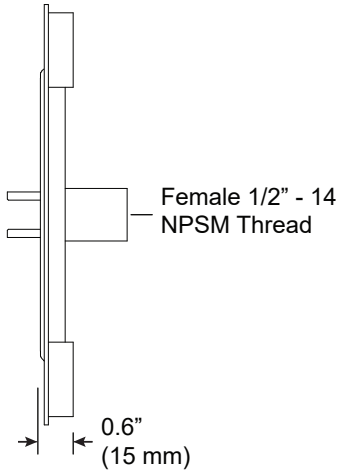
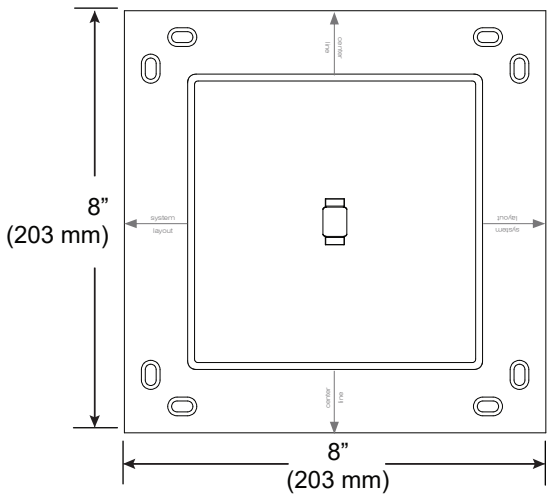
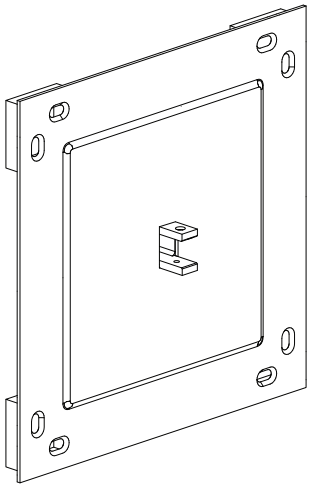
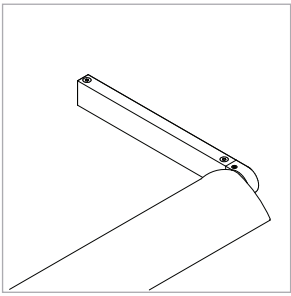
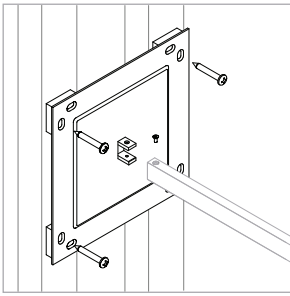


# Zero Canopy™ for Single Arm

For use with System | 107

Mounts System | 107 end sections to surface. Allows direct feed to arm through female 1/2" - 14 NPSM thread. Zero Canopy is designed for 5/8" drywall. Zero canopy cannot be adjusted after installation.

Technical Support: 707-996-9898



PART NUMBER **CAN-107-S-00**

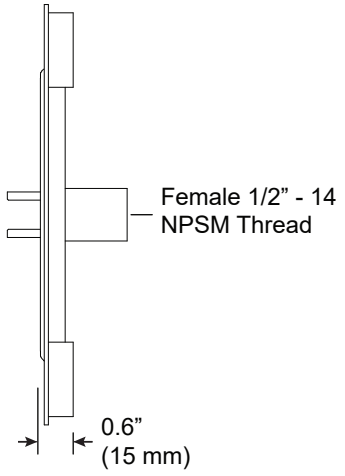
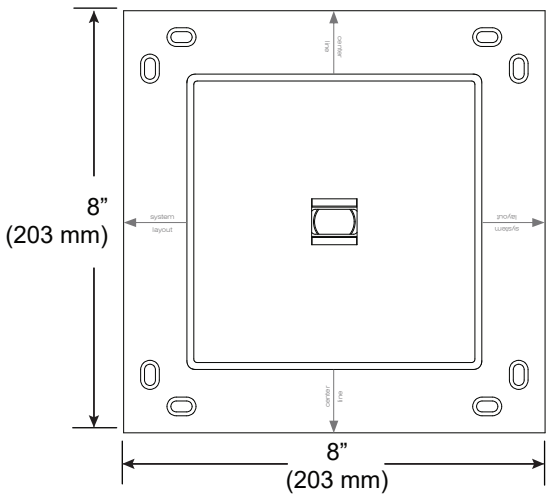
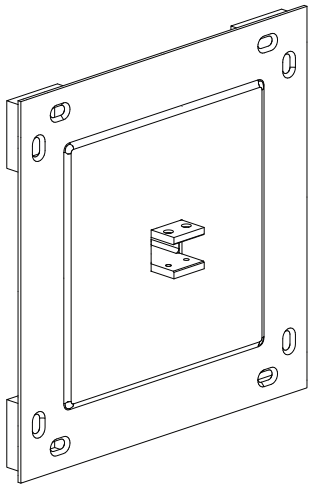
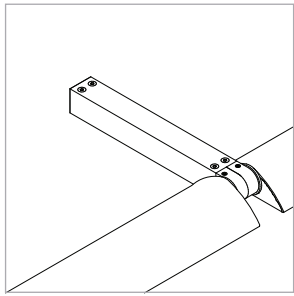
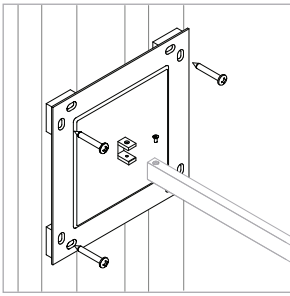
DESCRIPTION Canopy, System LED 107, single arm, zero canopy

# Zero Canopy™ for Double Arm

For use with System | 107

Mounts System | 107 mid sections to surface. Allows direct feed to arm through female 1/2" - 14 NPSM thread. Zero Canopy is designed to be used with 5/8" drywall. Zero canopy allows for no adjustments after installation.

Technical Support: 707-996-9898



PART NUMBER **CAN-107-D-00**

DESCRIPTION Canopy, System LED 107, double arm, zero canopy