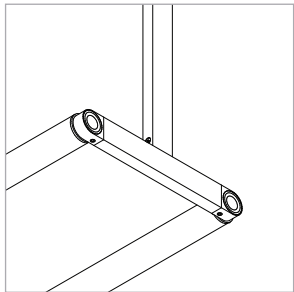


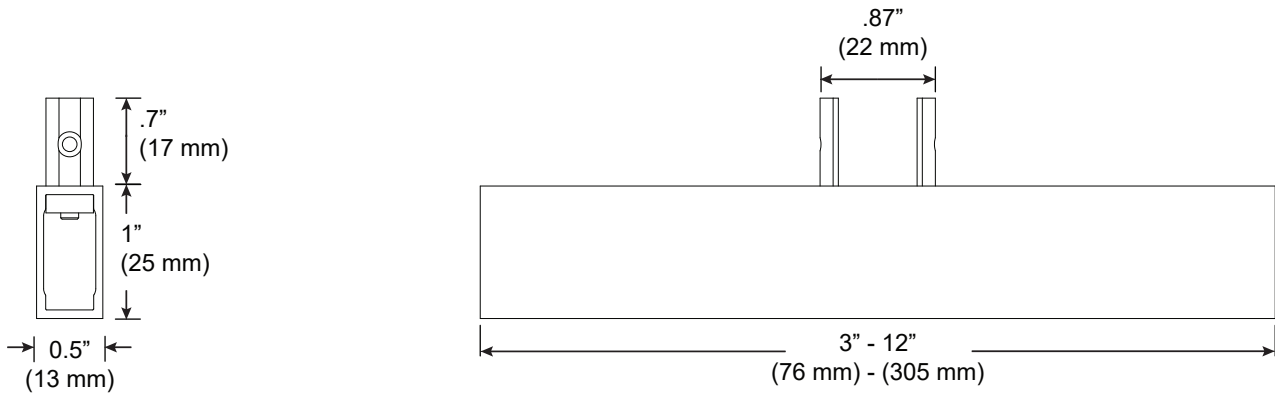
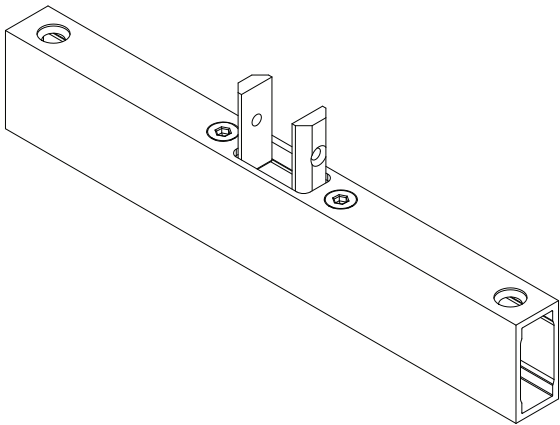
Single Tee

For use with System | 107

For use with single arm. Tees act as connection between arm and rail allowing concealed power feed. The distance between rails for standard lengths is measured from the one end to the other of the tee.



Technical Support: 707-996-9898



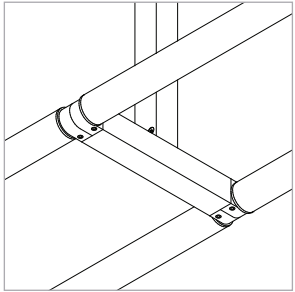
PART NUMBER **TE-107-S-XX-YY**

DESCRIPTION Tees, System LED 107, single, XX" [LENGTH], available in anodized aluminum (AA), white painted (W1) and black anodized (AB).

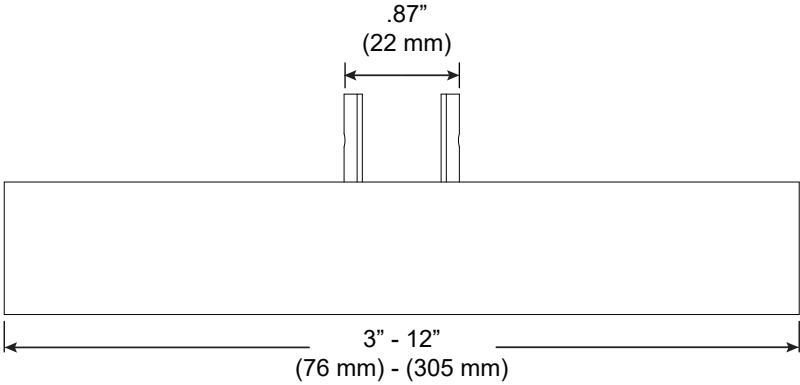
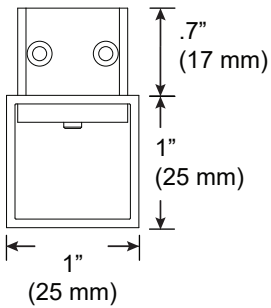
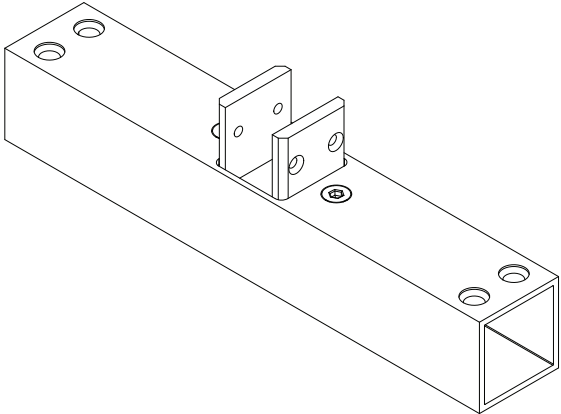
Double Tee

For use with System | 107

For use with double arm. Tees act as connection between arm and rail allowing concealed power feed. The distance between rails for standard lengths is measured from the one end to the other of the tee.



Technical Support: 707-996-9898



PART NUMBER TE-107-D-XX-YY

DESCRIPTION Tees, System LED 107, double, XX" [LENGTH], available in anodized aluminum (AA), white painted (W1) and black anodized (AB).