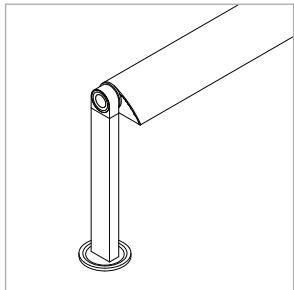


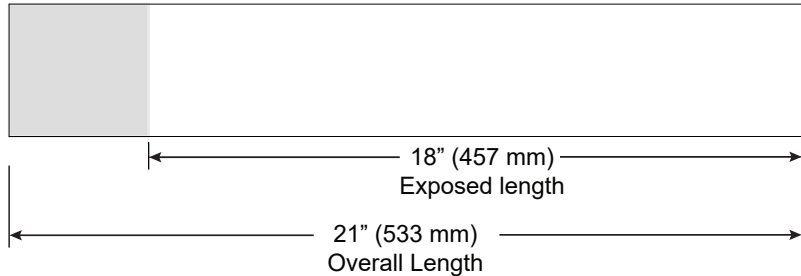
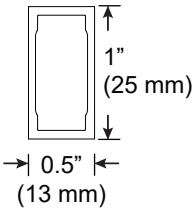
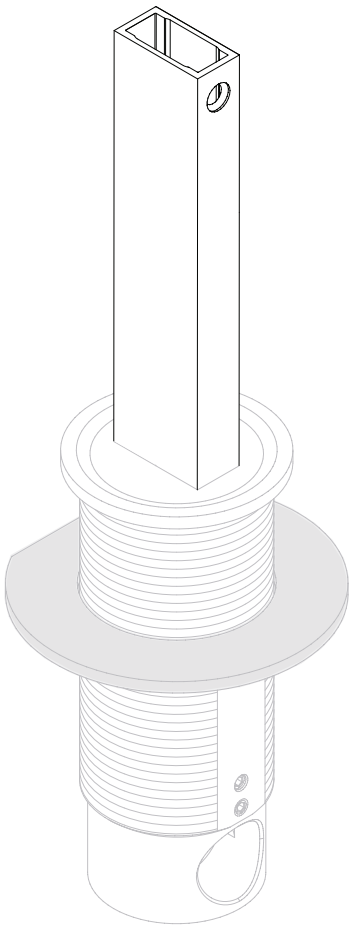
Single Arm | Table Mount

For use with System | 107

Connects arm anchor to rails at system end sections and allows concealed power feed. Single arms supplied in pairs.



Technical Support: 707-996-9898



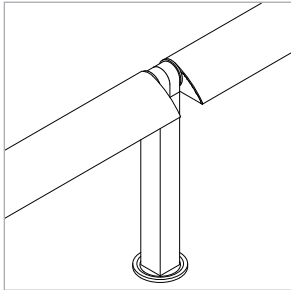
PART NUMBER **AM-107-S-18-TA-AA**

DESCRIPTION Arm, System LED 107, single, 18" (457mm), 21" (533mm) OAL, table arm mount, available in anodized aluminum (AA), white painted (W1) and black anodized (AB).

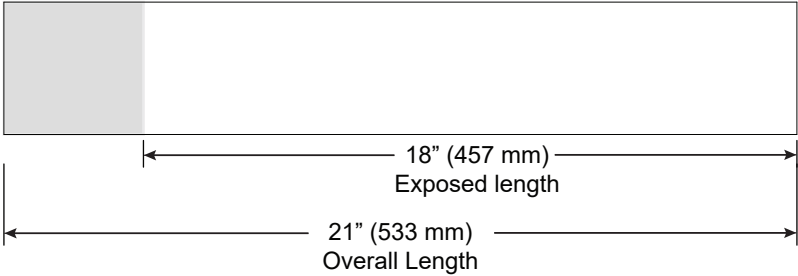
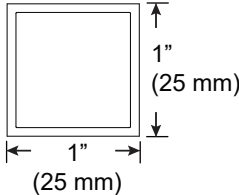
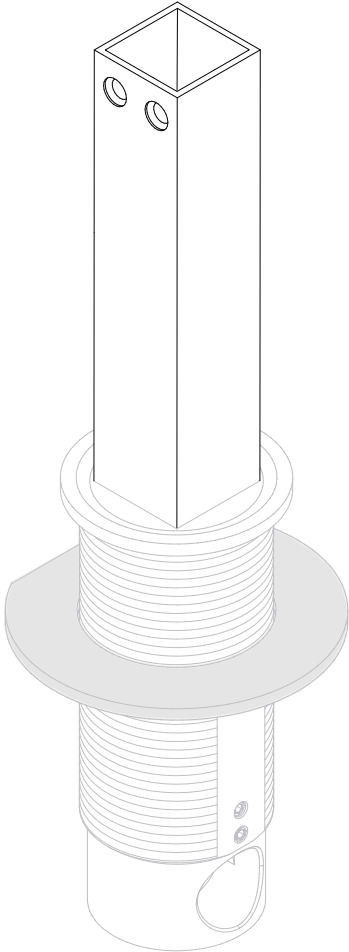
Double Arm | Table Mount

For use with System | 107

Connects arm anchor to rails at system mid sections and allows concealed power feed.



Technical Support: 707-996-9898



PART NUMBER AM-107-D-18-TA-AA

DESCRIPTION Arm, System LED 107, double, 18" (457mm), 21" (533mm) OAL, table arm mount, available in anodized aluminum (AA), white painted (W1) and black anodized (AB).