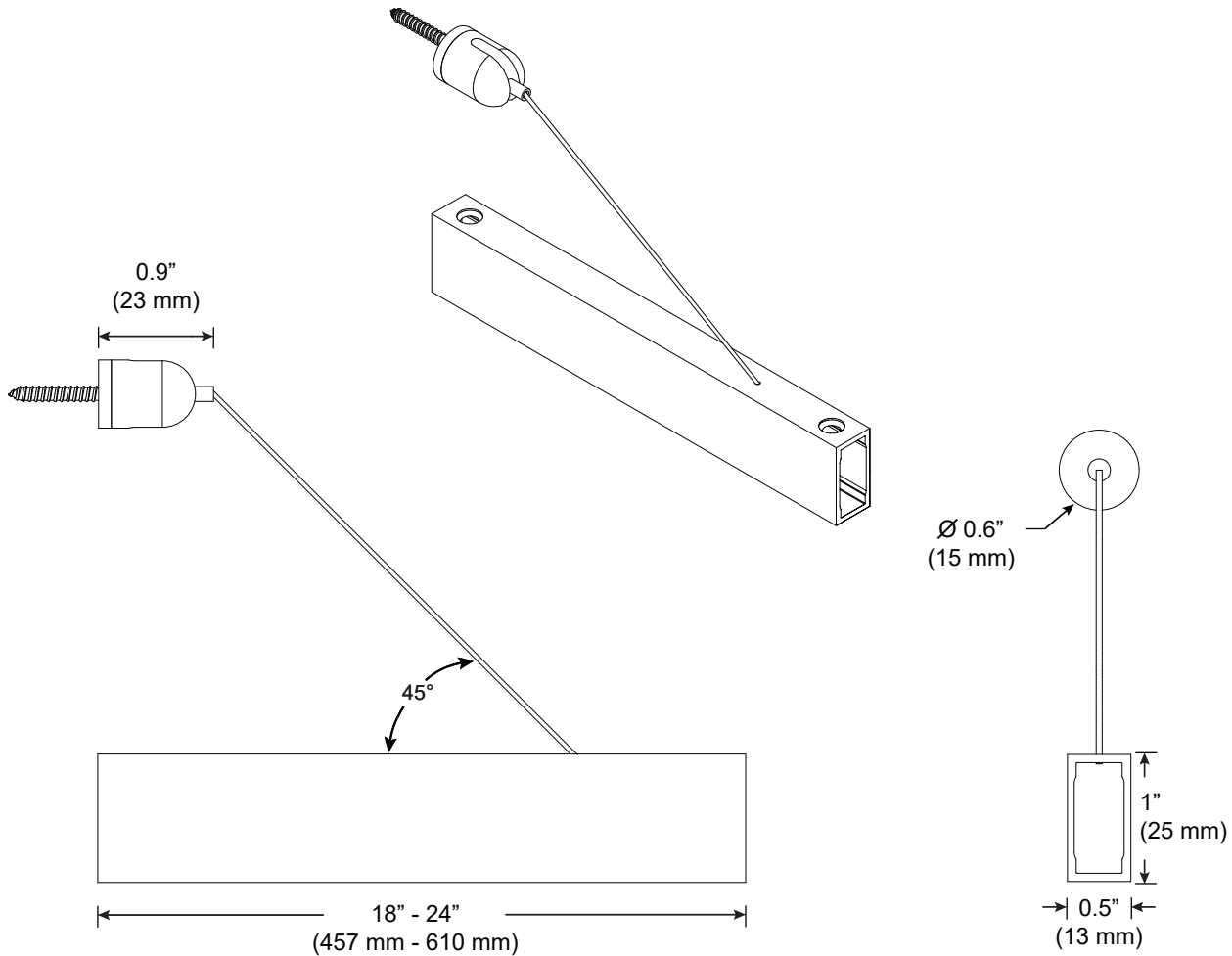
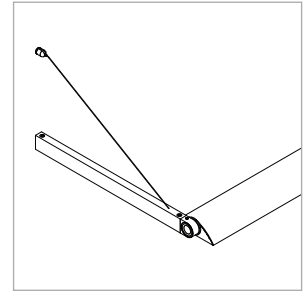
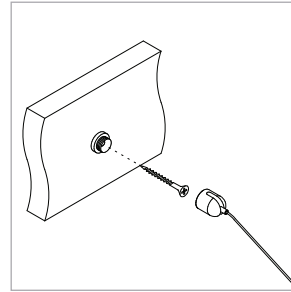


Single Arm w/Cable Tie Back

For use with System | 107

Used for WALL MOUNTED SYSTEMS ONLY. Connects mounting hardware to rails at system end sections and allows concealed power feed. Single arms supplied in pairs. Required for single rail systems with arms 18" (457 mm) and double rail systems with arms longer than 6" (152 mm).

Technical Support: 707-996-9898



PART NUMBER **AM-107-S-XX-WA-YY**

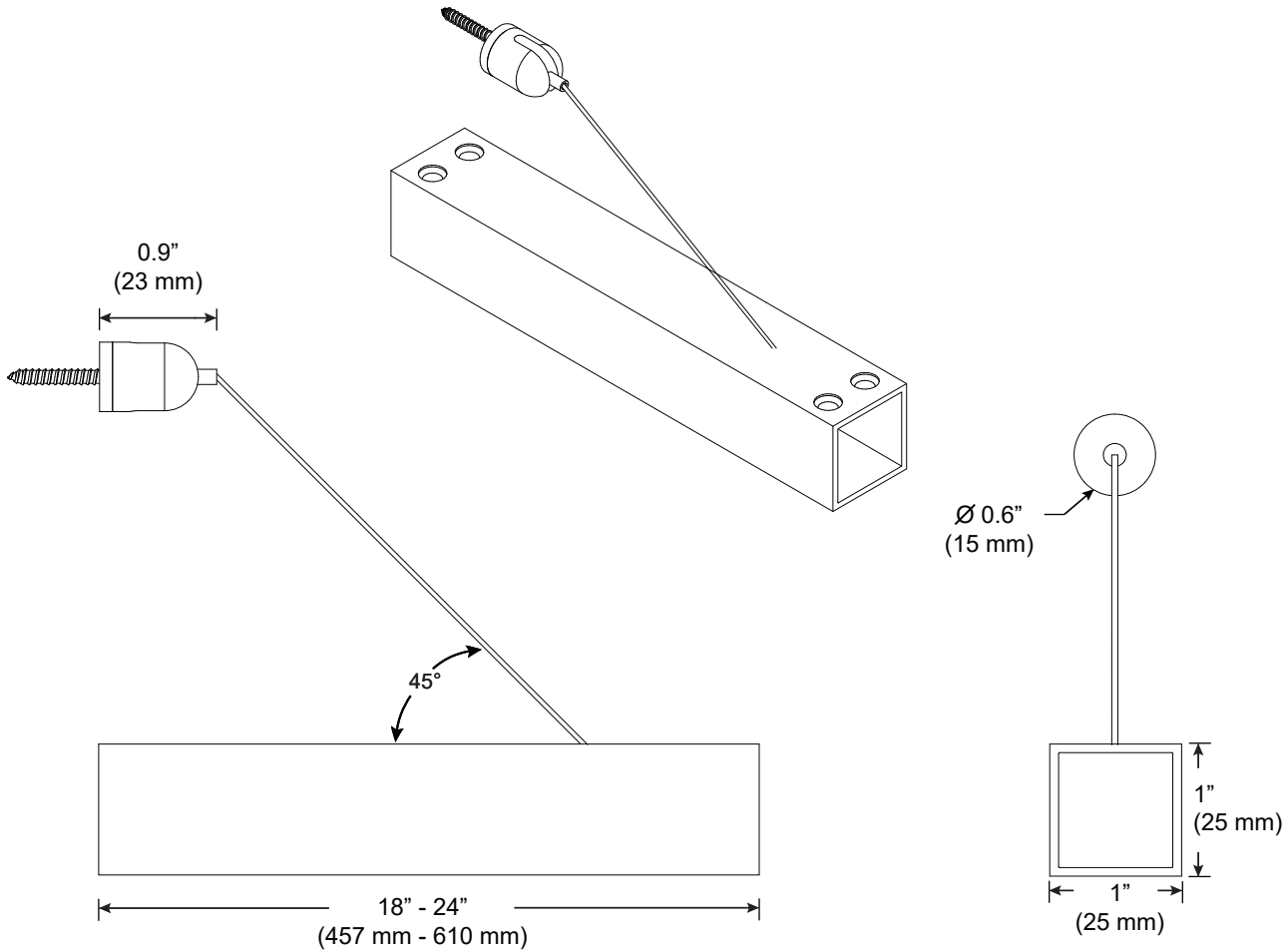
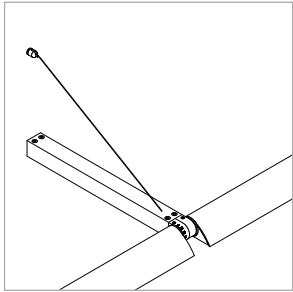
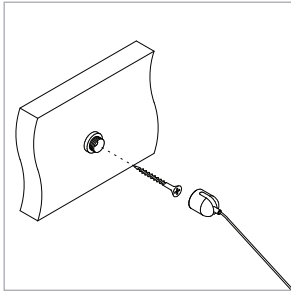
DESCRIPTION Arm, System LED 107, single, XX" [LENGTH], wall arm mount, with cable tie-back, available in anodized aluminum (AA), white painted (W1) and black anodized (AB).

Double Arm w/Cable Tie Back

For use with System | 107

Used for WALL MOUNTED SYSTEMS ONLY. Connects mounting hardware to rails at system mid sections and allows concealed power feed. Required for single rail systems with arms 18" (457 mm) and double rail systems with arms longer than 6" (152 mm).

Technical Support: 707-996-9898



PART NUMBER **AM-107-S-XX-WA-YY**

DESCRIPTION Arm, System LED 107, single, XX" [LENGTH], wall arm mount, with cable tie-back, available in anodized aluminum (AA), white painted (W1) and black anodized (AB).