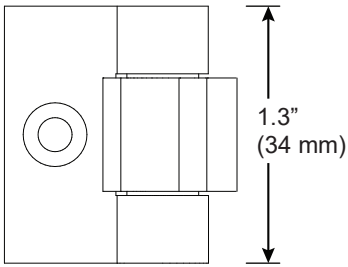
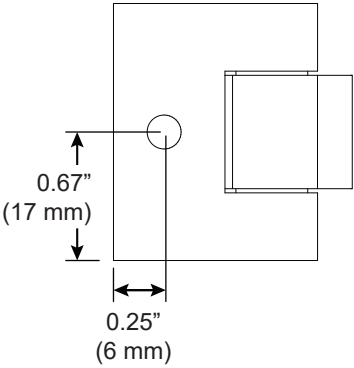
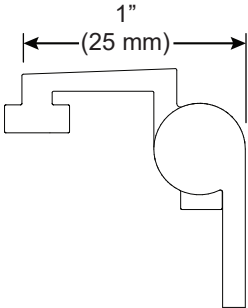
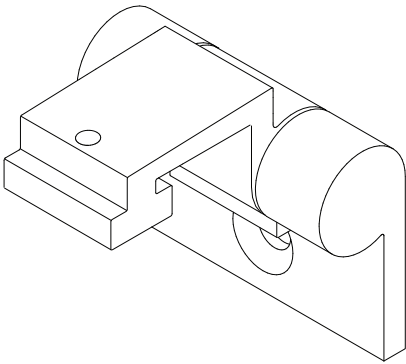
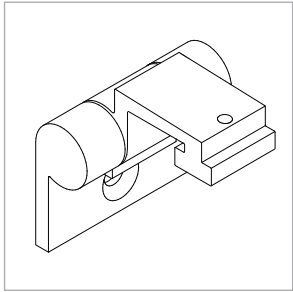
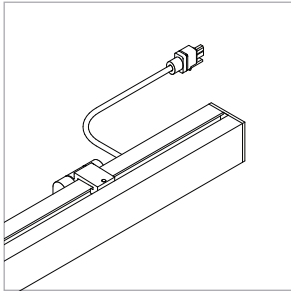


Rotate 2 Bracket (R2S)

For use with BoxRail[®] | 907

Mounts BoxRail | 907 to most surfaces. Not available with White Baffle (WB) and Black Baffle (BB) optics. Bracket rotates 48° and can be locked in place using provided set screws. Rails are provided with two brackets per fixture that are adjustable along the length of the rail.

Technical Support: 707-996-9898 or technicalsupport@vode.com



PART NUMBER BK-907-BX-SR2-YY

DESCRIPTION Bracket, System LED 907, BoxRail, surface mount bracket, 49 degree, asymmetrical rotation. Available in clear anodized, black anodized and white painted.