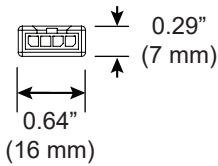
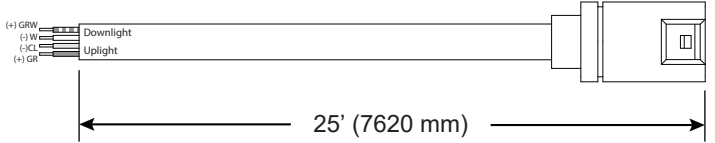
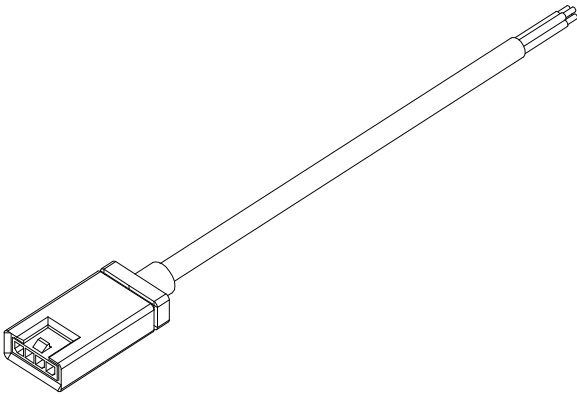
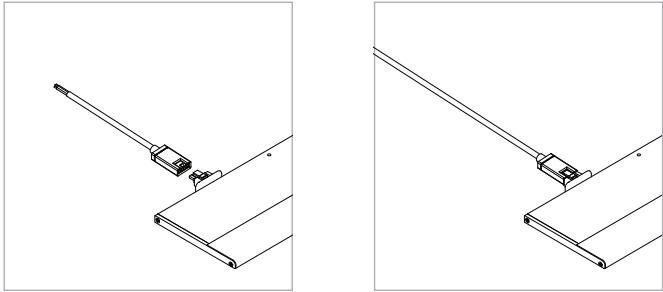


# 4-Conductor Wire Harness

For use with all Vode Systems

Low voltage wire harness connects driver to rail. Two (2) pairs of 18 AWG wires for (-) negative and (+) positive connections. Vode supplies one 25' (7.62m) wire harness per rail. Non-standard lengths available.

Technical Support: 707-996-9898



PART NUMBER **WRH-707-Z3-MWP-XX-M-18/4-RLF-YY**

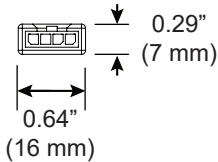
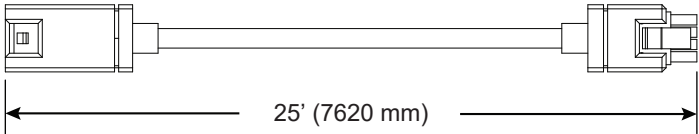
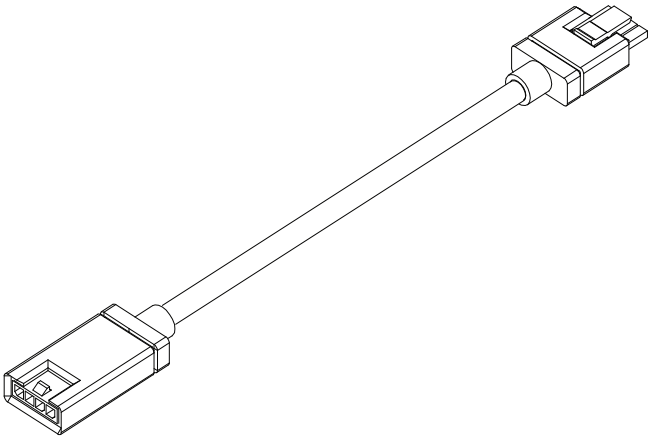
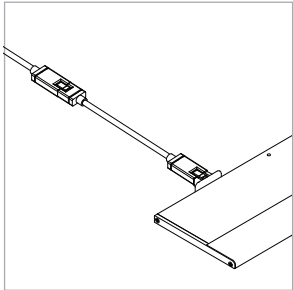
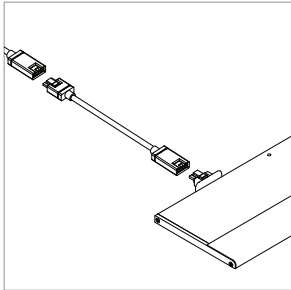
DESCRIPTION Wire Harness, System LED 707, ZipThree, micromolex overmolded, "XX" [LENGTH], male connector, 18/4 AWG, CMP rated, red list free

# 4-Conductor Wire Harness Connector

For use with all Vode Systems

Low voltage wire harness connects two 4-conductor wire harnesses together. Two (2) pairs of 18 AWG wires for (-) negative and (+) positive connections. Vode supplies 25' (7.62m) wire harness jumper to create longer remote distances as needed.

Technical Support: 707-996-9898



PART NUMBER **WRH-707-Z3-MWP-XX-MF-18\_4-RLF-YY**

DESCRIPTION Wire Harness, System LED 707, ZipThree, micromolex overmolded, "XX" [LENGTH], male/female jumper, 18/4 AWG, CMP rated, red list free