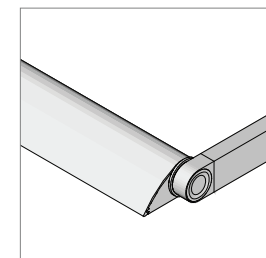
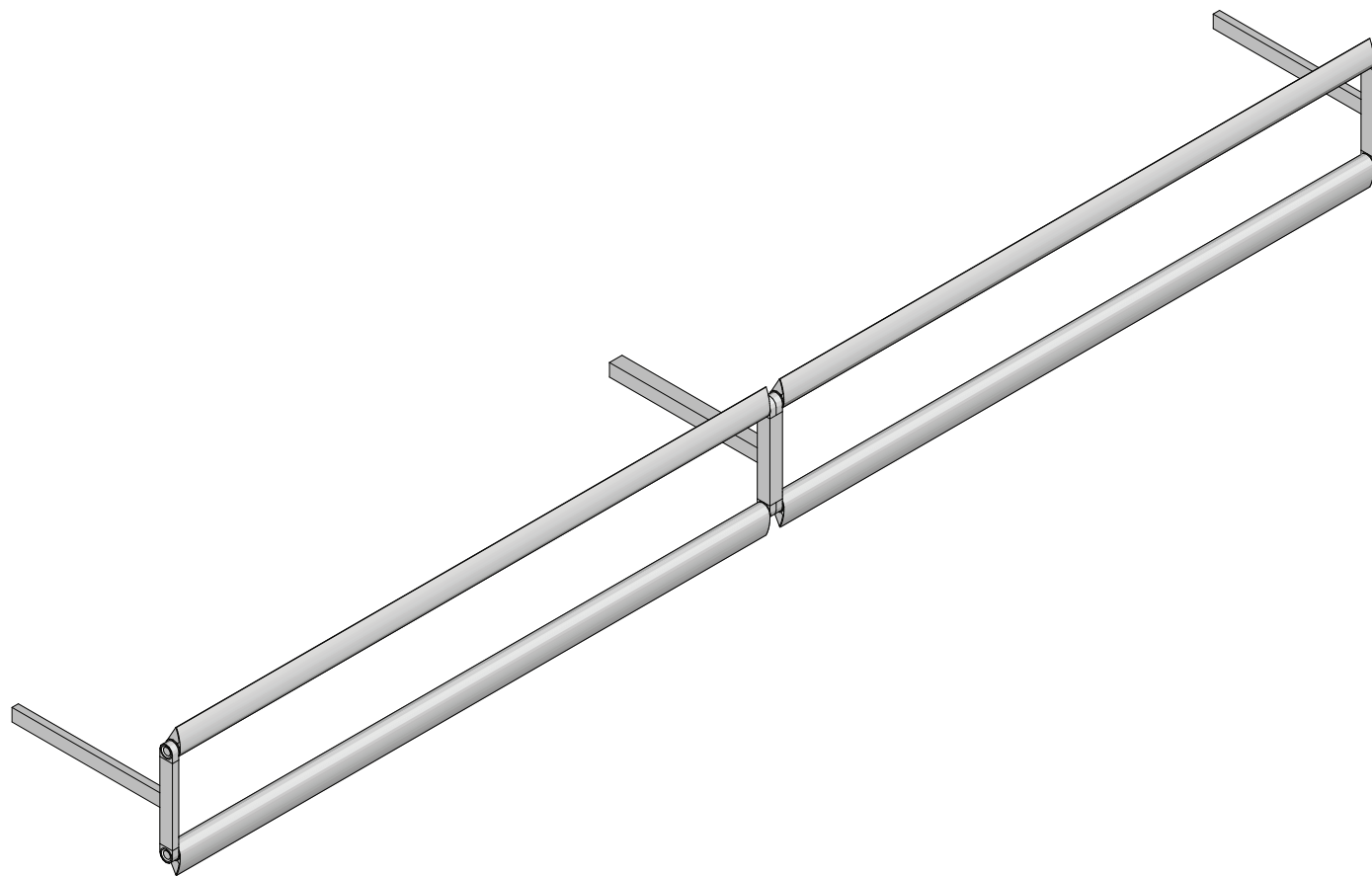


## Ceiling-Wall Arm with Tee | 107 | BoxRail<sup>®</sup>, RaceRail<sup>®</sup>, WingRail<sup>®</sup> | Remote Power | Zero Block

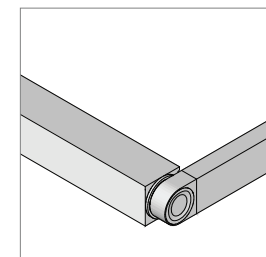
Please read instructions in their entirety before proceeding with any part of the installation. This product must be installed in accordance with the applicable installation code by a person familiar with the construction and operation of the product and the hazards involved. Consult a qualified electrician to ensure correct branch circuit rating. To prevent electric shock, disconnect all power before installing or servicing product. Rated for use in dry and damp locations only. Retain instructions for future reference.

Technical Support: 707.996.9898 or [technicalsupport@vode.com](mailto:technicalsupport@vode.com)

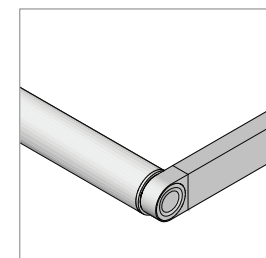
### Installed View



WingRail



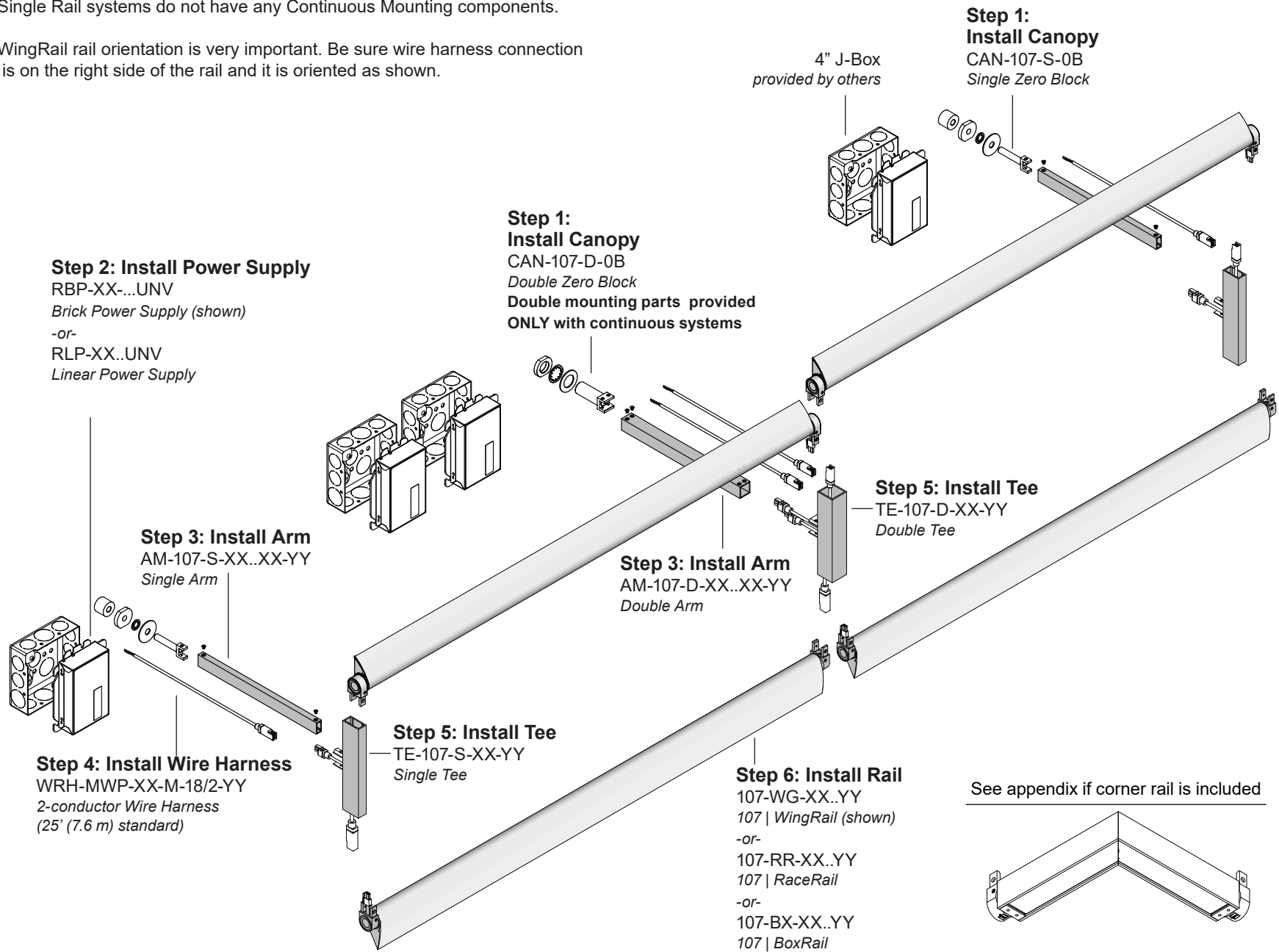
BoxRail



RaceRail

**NOTE:** Single Rail systems do not have any Continuous Mounting components.

**NOTE:** WingRail rail orientation is very important. Be sure wire harness connection (power) is on the right side of the rail and it is oriented as shown.



**Step 1: Install Zero Block**

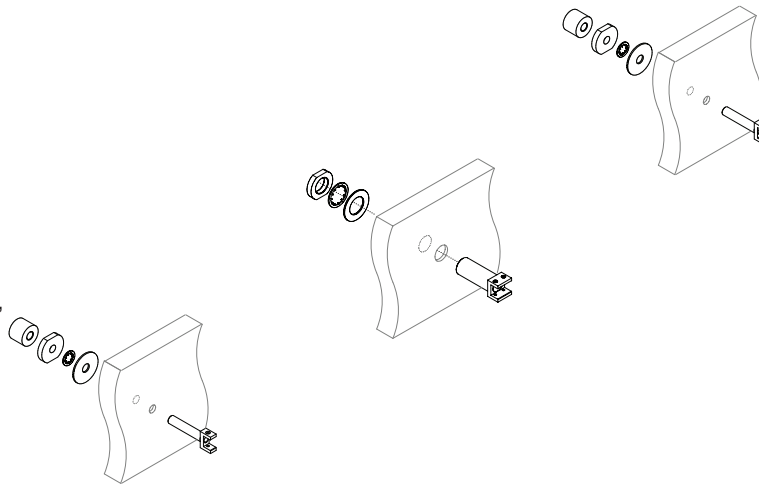
**IMPORTANT:** 8" (208 mm) access is required behind mounting surface to allow for proper installation. Must be mounted to a sturdy surface between 1/8" (3.2 mm) and 1.5" (38.1 mm) thick. Accurate placement and alignment is critical as it will determine the alignment of the entire system.

**Single Zero Block:**

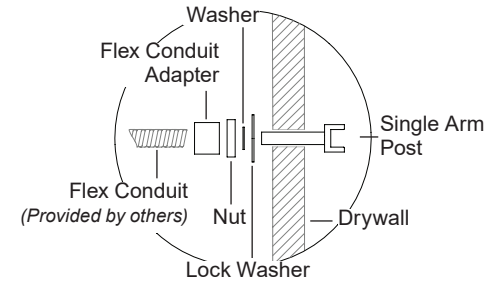
Install one at each end of the system. Drill 3/8" hole in the mounting surface and push single arm post through the hole, securing with washer, lock washer, and nut. Attach provided 1/2" NPT conduit adapter to post.

**Double Zero Block:**

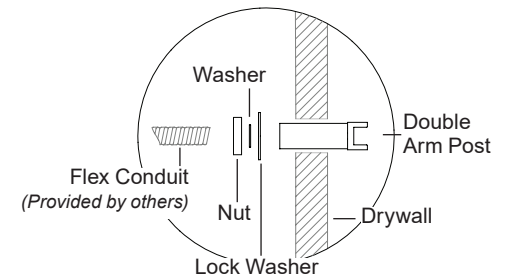
Install at each joint location throughout the system. Drill 13/16" hole in the mounting surface and push double arm post through the hole, securing with washer, lock washer, and nut. Double Zero Block post also serves as a 1/2" NPT conduit adapter.



**Single Zero Block:**



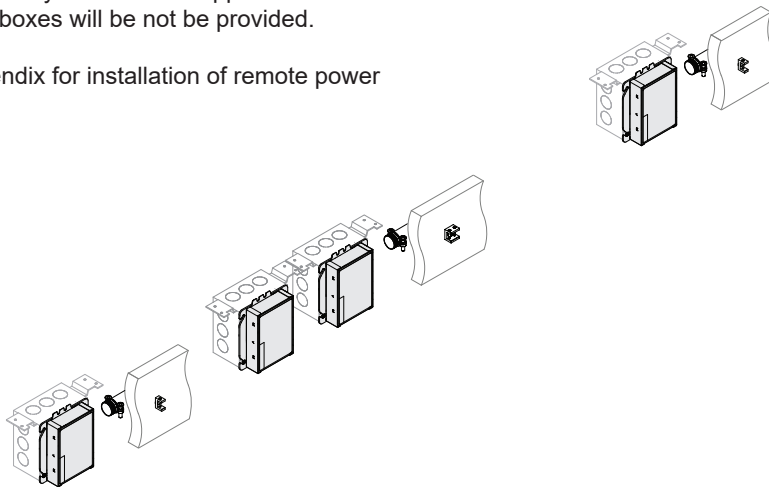
**Double Zero Block:**



**Step 2: Install Power Supply**

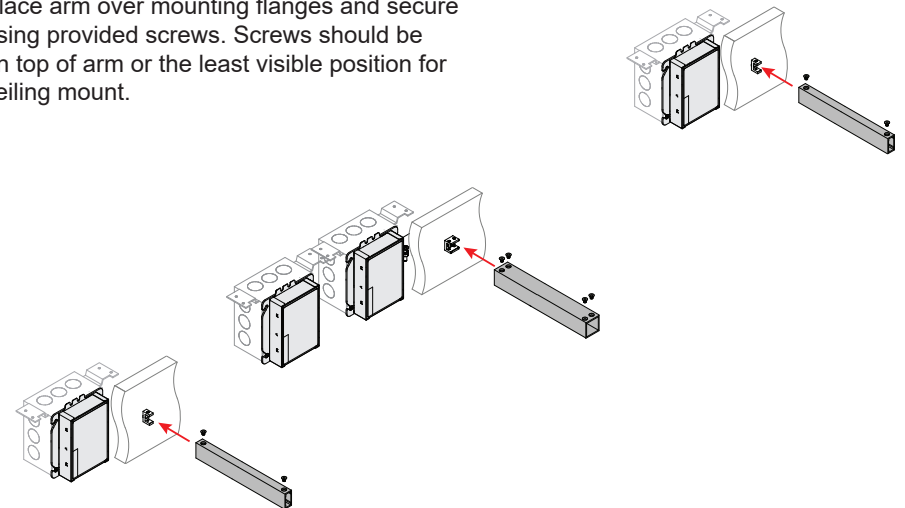
**IMPORTANT!** If system will be supplied with a brick driver, j-boxes will be not be provided.

Refer to appendix for installation of remote power housing.



**Step 3: Install Arms**

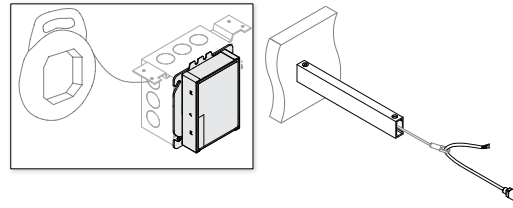
Place arm over mounting flanges and secure using provided screws. Screws should be on top of arm or the least visible position for ceiling mount.



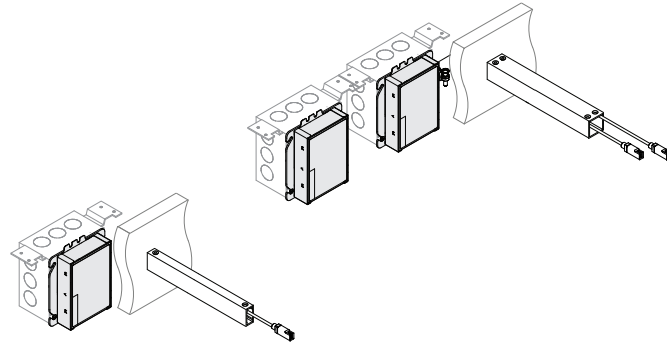
**Step 4: Install Wire Harness**

Feed low voltage wire harness through arm and canopy into remote power housing. Power should always be brought to the right side of the fixture. Connect supplied plenum rated wire harness to pre-installed wire harness on remote power supply and run to j-box. Leave approximately 1" of wire harness hanging out of the arms.

Pull wire harness leads to power housing

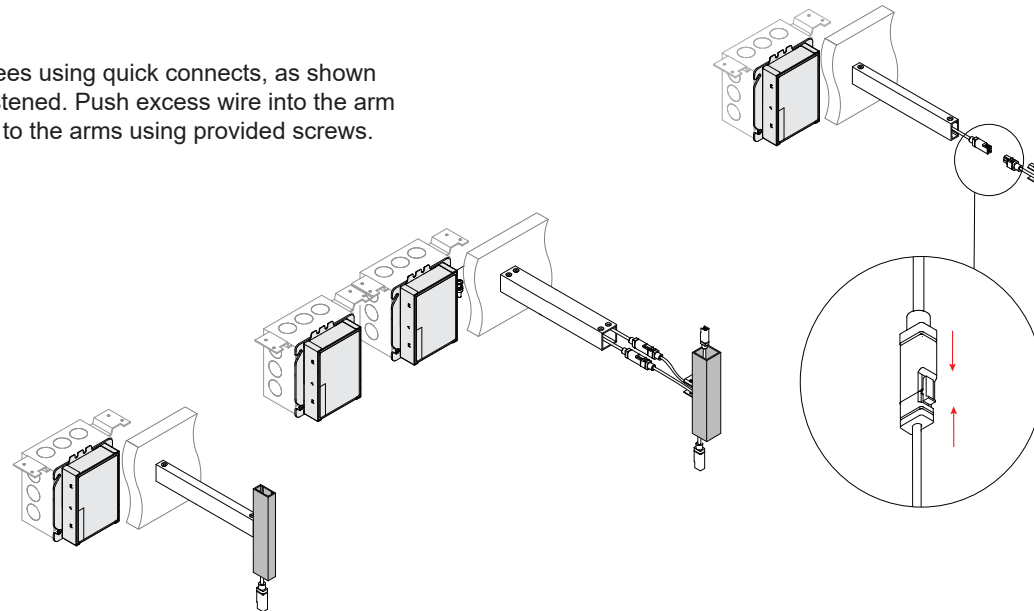


**DO NOT POWER ON**



**Step 5: Install Tees**

Connect wire harness to jumper in the tees using quick connects, as shown below. Be sure connectors are firmly fastened. Push excess wire into the arm and insert tee into the arm. Secure tees to the arms using provided screws.

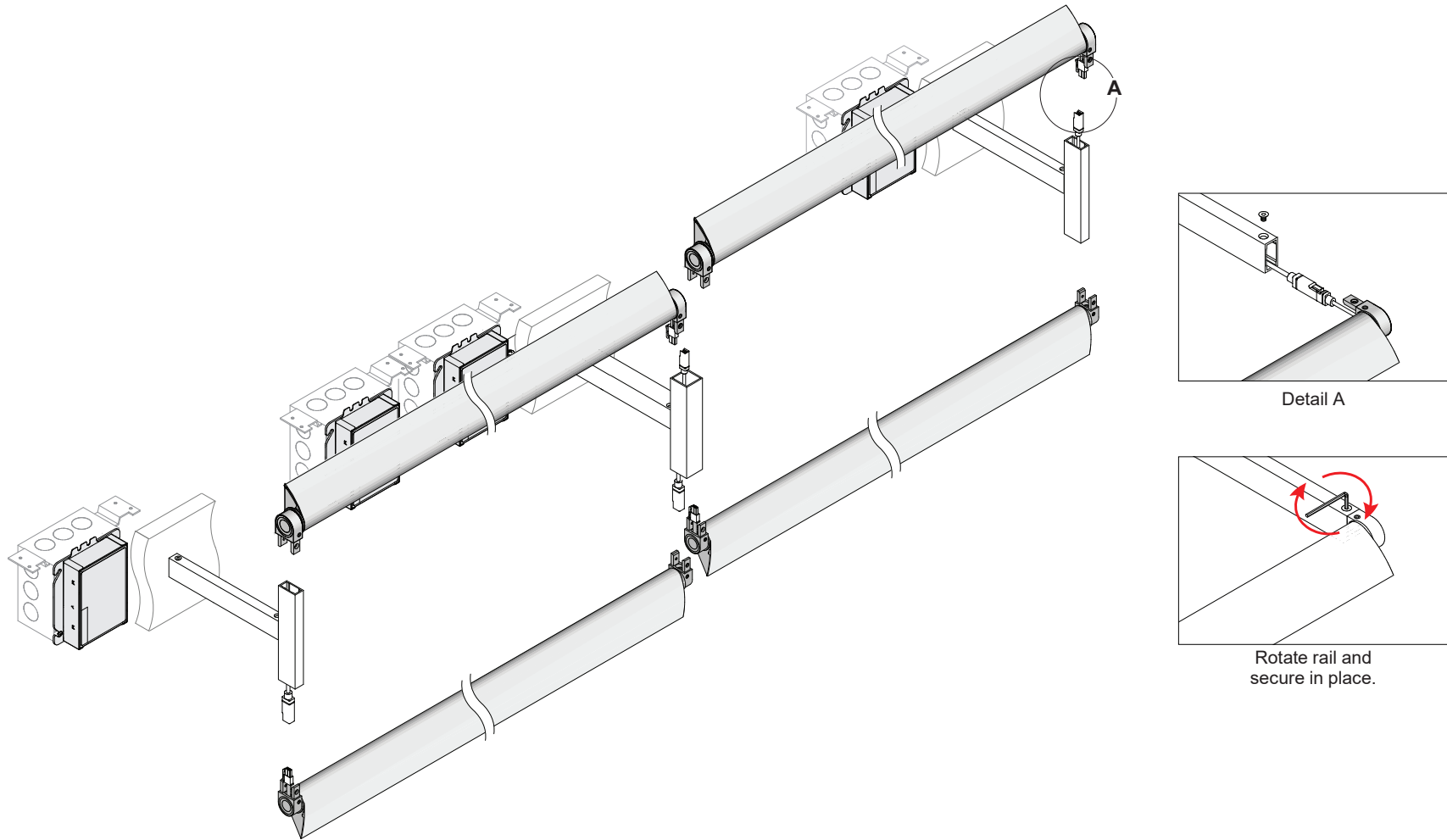


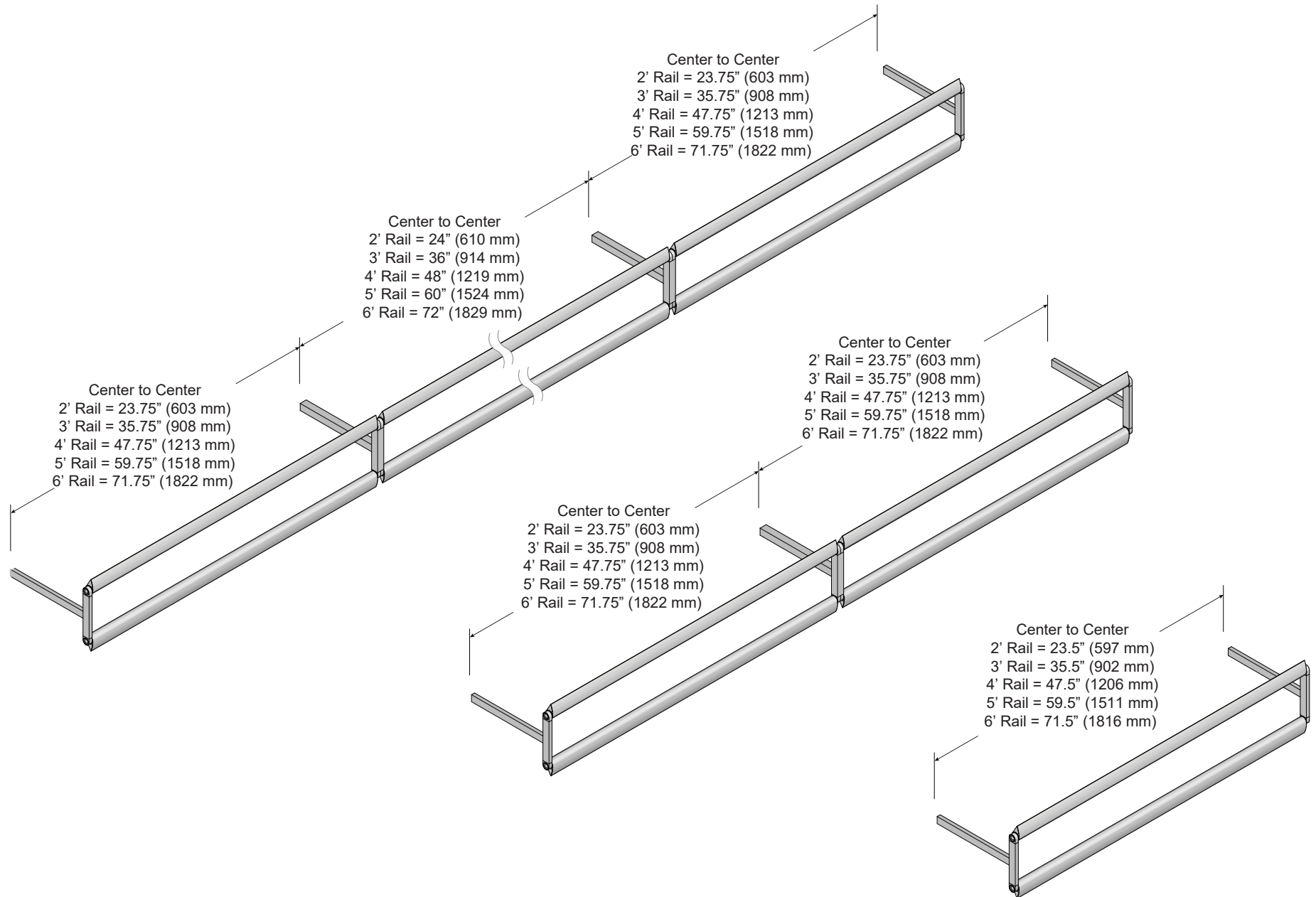
## Step 6: Install Rails

**NOTE:** If included, install corner rail piece before rails.

Connect rail wire harness to power wire harness. Be sure connectors are firmly fastened. Push excess wire into the arm(s), insert rail hub into arms and lightly secure in place using provided screws. Ensure both hubs are aligned and rotate easily before securing. **DO NOT FORCE.**

### POWER SYSTEM ON

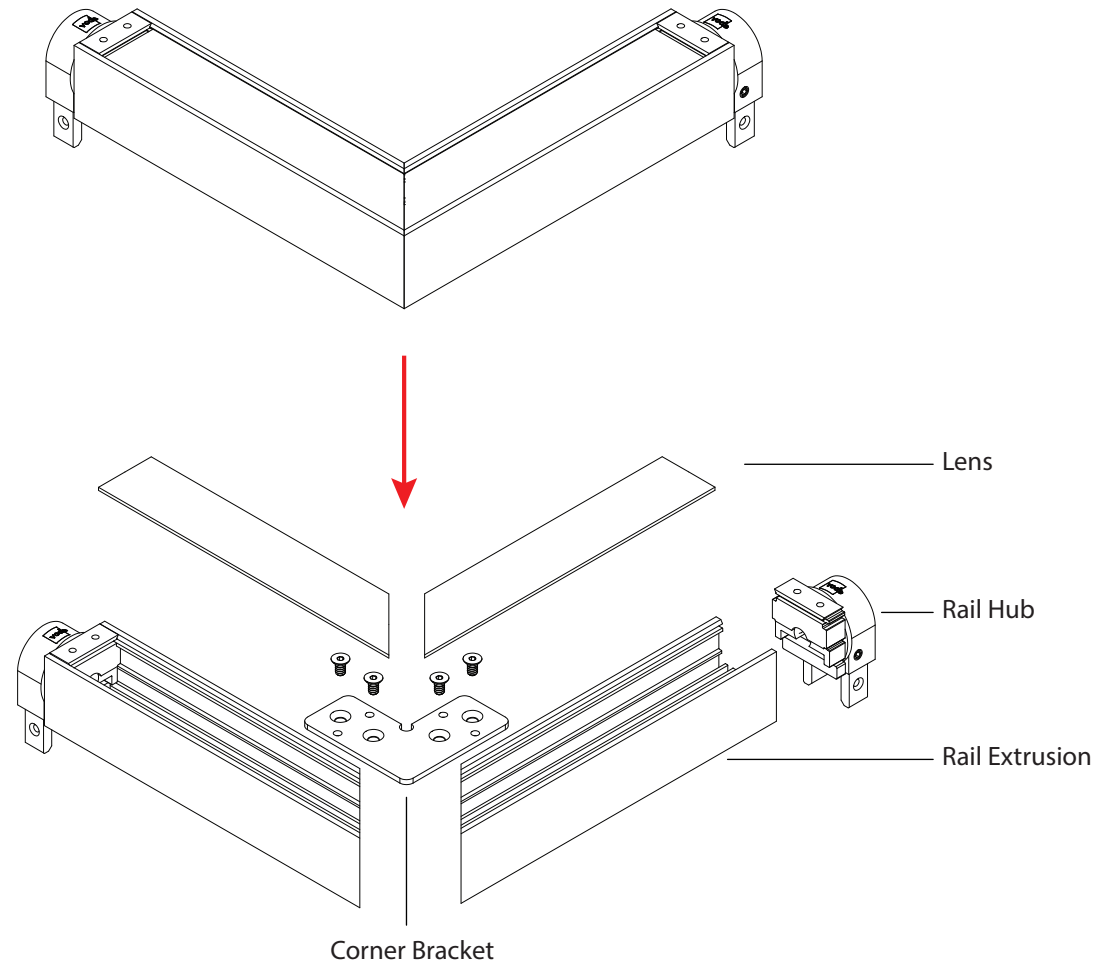




## Install Corner Rail

Install corner rail, following rail installation instructions, when directed.

If need be, corner rail can be dissembled and cut to size on site. Carefully remove one hub, using hex key to loosen, then lens. Using hex key, remove corner bracket to release extrusion. Cut one or both rail extrusion sides, being sure to sand cut edge smooth to ensure rail can be assembled properly.

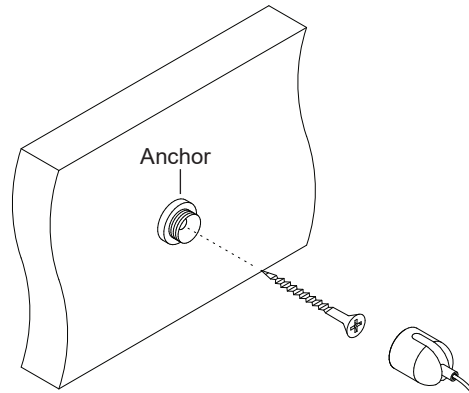


Vode provides cable tie-back support for all Wall Mount systems with arms 18" and longer to prevent sag.

**NOTE:** Install cable tie-back support **AFTER** securing the rest of the system.

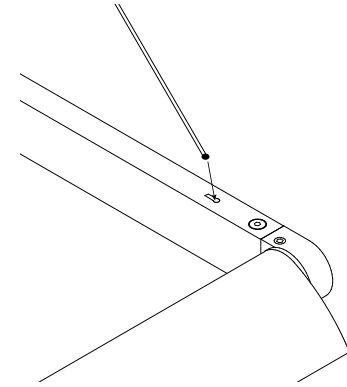
### Step 1: Install Anchor

Carefully unscrew anchor from cable coupler. Using supplied screw, secure anchor to wall for all single and double arms. Cables should be installed at a 22.5° angle.



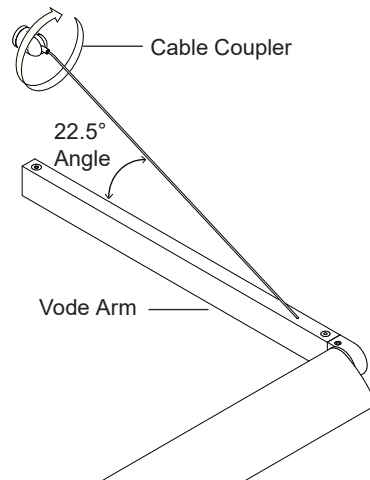
### Step 2: Install Cable

Insert cable into arm keyhole.



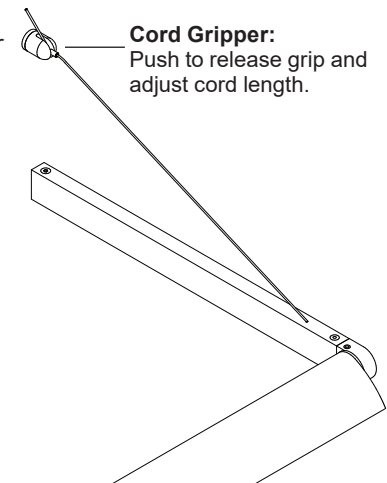
### Step 3: Secure Cable(s)

Screw cable coupler to back plate.



### Step 4: Adjust System

Adjust cable using cord gripper to level system. Once level, cut excess cord, leaving at least 2 mm.





## Install Remote Brick Power Supply

**IMPORTANT!** Before any installing power supply, turn off electricity at circuit box.

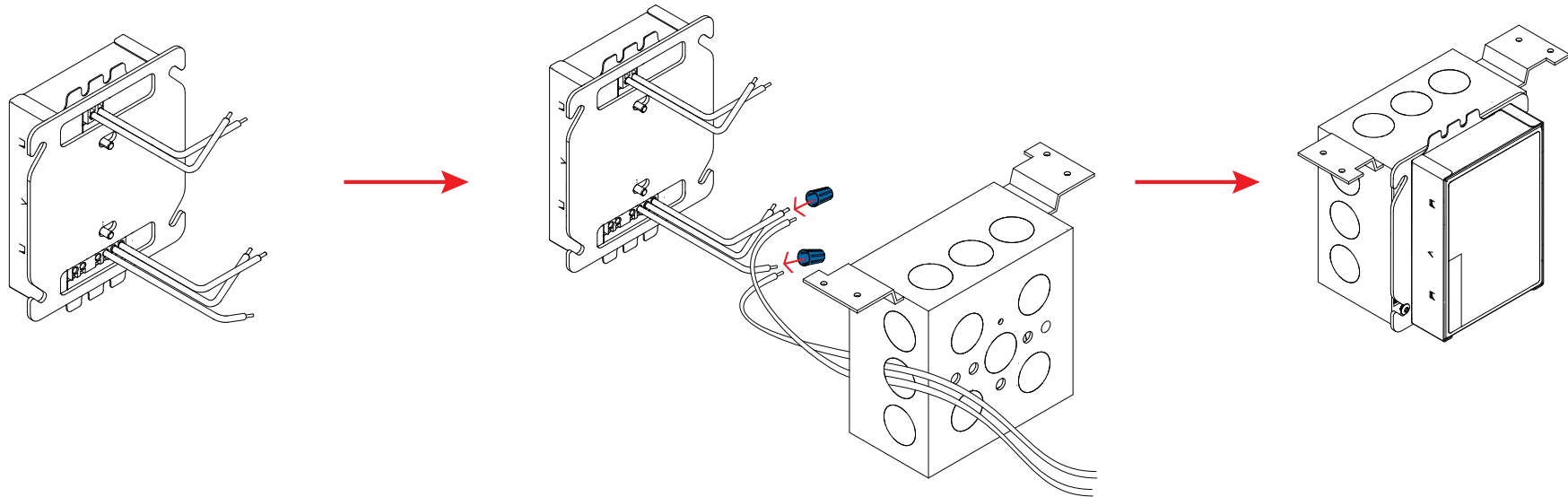
**NOTE:** Vode Brick style driver mounting plate is designed to mount only to 4" Square metal j-boxes with a minimum volume of 21 cu. in.

Install j-box (*provided by others*) to desired surface using screws (*provided by others*). Run line, ground and neutral wiring and any applicable dimming controls into j-box through knockout and secure in place, using conduit as necessary per local coding. Use wire nuts (*provided by others*) to make a secure connection between all wiring. (*The provided wire leads are 18 AWG solid core*).

**DO NOT** power on system until instructed.

For remote power supply maximum distance or wiring questions, please consult **Vode Remote Power Guide**.

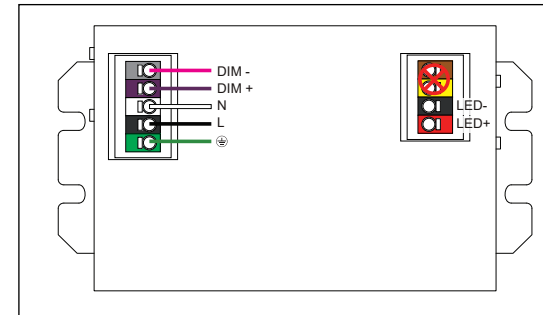
**NOTE:** If power housing is supplied pre-wired with cord and plug and wire harness installed, skip above steps and power system when instructed by plugging system into a standard outlet.



## Max Remote Driver Distance

| Driver  | Remote Distance             |
|---------|-----------------------------|
| eldoLED | 100' (30.5 m)               |
| Lutron  | <b>See Vode Power Guide</b> |

For other wiring questions and driver specific information, see **Vode Remote Power Guide**.



**Example Only**

See **Vode Remote Power Guide** for wiring detail.

## Install Remote Linear Power Supply

**IMPORTANT!** Before installing any power supply, turn off electricity at circuit box.

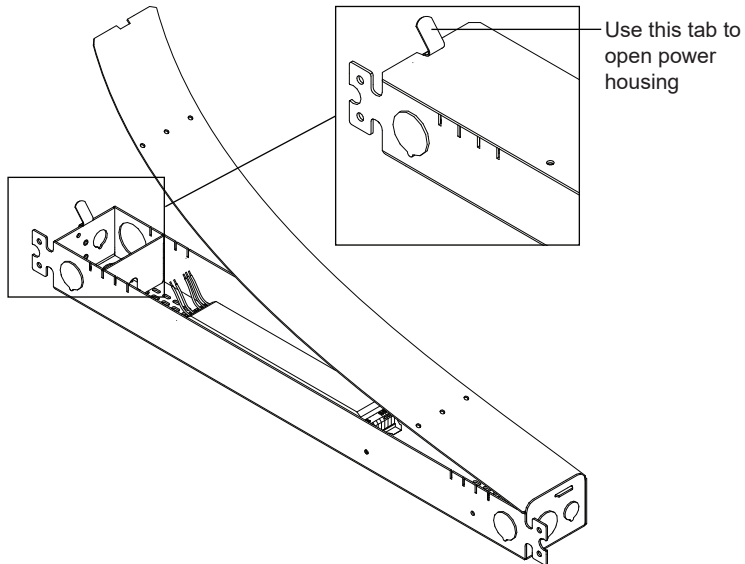
Vode recommends keeping track of which lids comes with which housing, as the lid contains important installation labeling.

Using the indicated tab, remove power housing lid to access mounting points. Install power supply housing to desired surface using screws (*provided by others*). Run line, ground and neutral wiring and any applicable dimming controls into power housing through any provided knockout and secure in place, using conduit as necessary per local coding. Use wire nuts (*provided by others*) to make a secure connection between all wiring. (*The provided wire leads are 18 AWG solid core*).

**DO NOT** power on system until instructed.

For remote power supply maximum distance or other wiring questions, please consult Vode Power Guide.

**NOTE:** If power housing is supplied pre-wired with cord and plug and wire harness installed, skip above steps and power system when instructed by plugging system into a standard outlet.

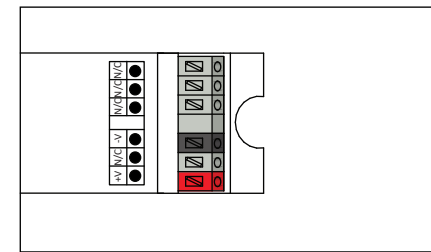


## Remote Driver Distance

All Vode linear remote drivers come in a 0.054" (1.4 mm) formed galvanized steel power supply housing with five (5) knockouts: (4) 1-1/8", (1) 7/8" and (1) 9/16". Power supply housing dimensions: 2 3/8" (56 mm) x 1 5/8" (33 mm) x 20 1/16" (525 mm)

| Driver    | Remote Distance        |
|-----------|------------------------|
| eldoLED   | 100' (30.5 m)          |
| OSRAM     | 100' (30.5 m)          |
| Magnitude | 100' (30.5 m)          |
| Lutron    | <b>See Power Guide</b> |

For other wiring questions and driver specific information, see **Vode Remote Power Guide**.



**Example Only**  
See Vode Remote Power Guide for wiring detail.

## Trouble Shooting Guide

### My fixture will not turn on:

---

Check all wiring is correct and all connections are fastened properly.

If all wiring is correct, remove fixture and connect it to a known working driver.

If the fixture lights up, then the problem is with the installed driver or wiring:

- 1) Check line voltage to driver is present.
- 2) Check driver wiring (see **Vode Power Guide for details**) and check wiring to fixture.
- 3) Check driver and dimming system are compatible (see **Vode Power Guide and the dimmer manufacturer's website**).

If fixture still doesn't light up, check that all dimming wires are installed correctly. Reversed polarity on any driver will cause the entire system to not work, (see **Vode Power Guide for wiring details**).

### The fixture is not dimming properly:

---

Check all wiring is correct and all connections are fastened properly.

Check driver wiring (see **Vode Power Guide for details**). Make sure driver is compatible with dimming controls (see **Vode Power Guide and the dimmer manufacturer's website**).

### Rail is not rotating:

---

**DO NOT FORCE RAIL!** When properly installed, rails will turn easily.

Check that both hub set screws are loose. If rail will still not turn, uninstall rail from arms, paying attention to the wire harness connection. Check that both hubs and arm tabs are rotated in the same direction.

---

**For any help with installation or technical information, contact Vode Tech Service at 707-996-9898.**

## Important Notes

---

- Listed to UL standards for damp location by a Nationally Recognized Testing Laboratory (NRTL) recognized by OSHA
- Power Type: Class 2 (<60v) constant current driver.
- Dimming curve is factory preset to linear. Logarithmic is available upon request. See Vode Driver Guide for specific details and wiring diagram.
- Unless specified, one driver per rail will be supplied.
- 5 Year Limited Warranty. All material and component parts manufactured by Vode are guaranteed to be free from defects of material and/or workmanship for a period of 5 years from date of sale. Product must be installed according to Vode installation instructions and accepted trade practices. Power supplies and other auxiliary equipment are not covered under Vode warranty but may be covered by separate OEM warranty.