

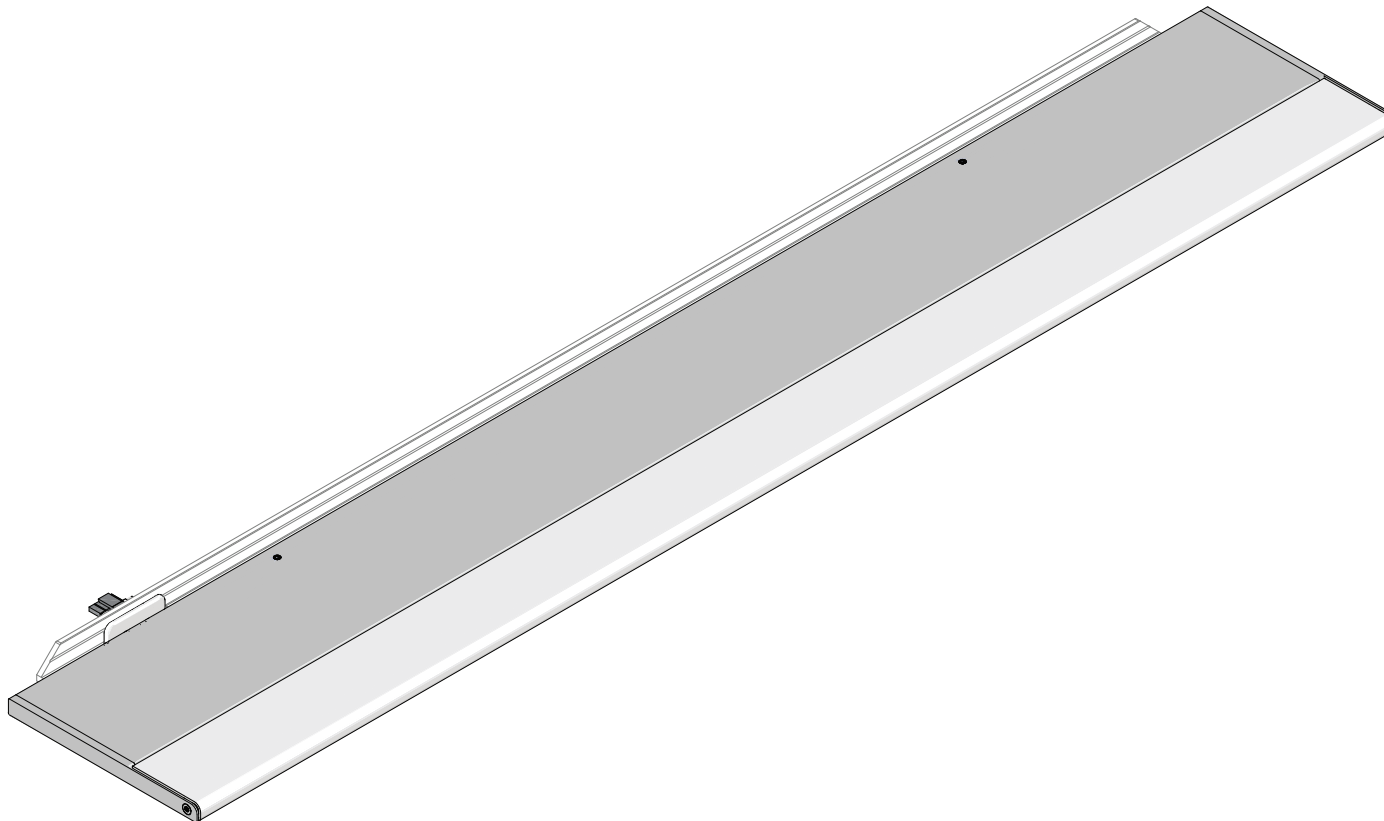
## Wall Mount | 707 | ZipThree® | Remote Power | Surface Mount

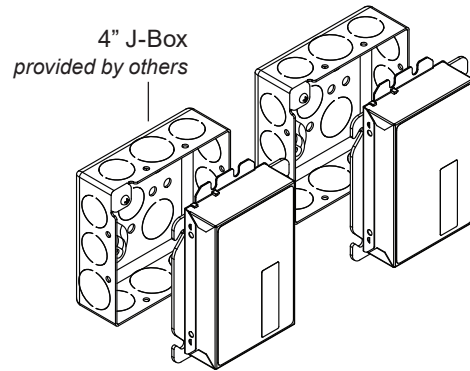
Please read instructions in their entirety before proceeding with any part of the installation. This product must be installed in accordance with the applicable installation code by a person familiar with the construction and operation of the product and the hazards involved. Consult a qualified electrician to ensure correct branch circuit rating. To prevent electric shock, disconnect all power before installing or servicing product. Rated for use in dry and damp locations only. Retain instructions for future reference.

Technical Support: 707.996.9898 or [technicalsupport@vode.com](mailto:technicalsupport@vode.com)

---

### Installed View





**Step 3: Install Wire Harness**

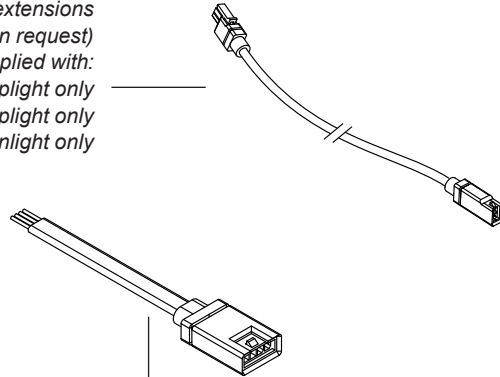
RBP-XX-...UNV  
Brick Power Supply (shown)  
-or-  
RLP-XX..UNV  
Linear Power Supply

**NOTE: Only Dual direction rails, U1A1 and U2A1 require 2 drivers per rail)**

**Step 3: Install Wire Harness**

WRH-MWP-XX-MF-18/2-RLF-YY  
2-conductor Wire Harness  
(25' (7.6 m) supplied, optional 25' extensions available upon request)  
(Supplied with:

- U1 - Symmetric, uplight only
- U2 - Symmetric with EdgeGlow, uplight only
- A1 - 85° Asymmetric, downlight only



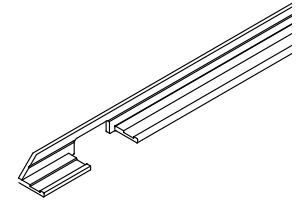
**Step 3: Install Wire Harness**

WRH-707-Z3-MWP-XX-18/4-WJ  
4-Conductor Wire Harness  
(Supplied with:

- U1A1 - Symmetric, up | 85° Asymmetric, down
- U2A1 - Symmetric with EdgeGlow, up | 85° Asymmetric, down  
25' standard)

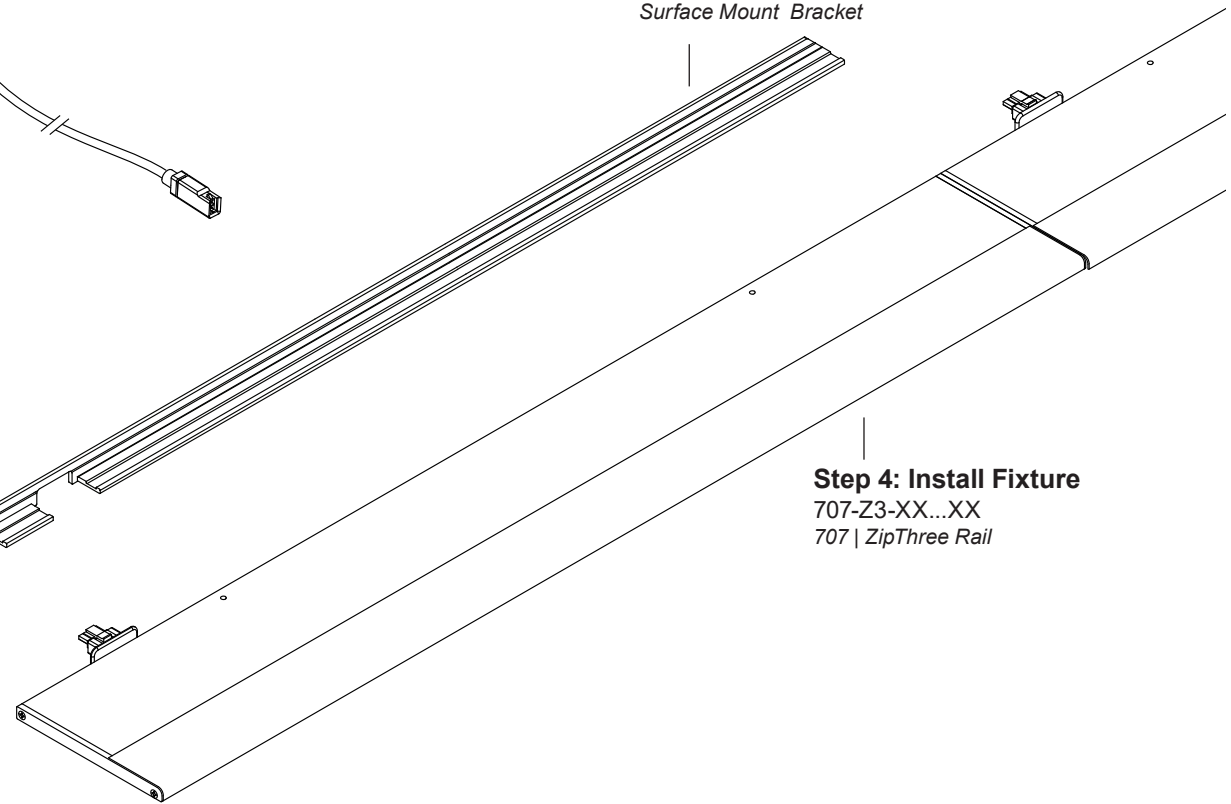
**Step 1: Install Bracket**

BK-707-Z3-S1-XX-YY  
Surface Mount Bracket



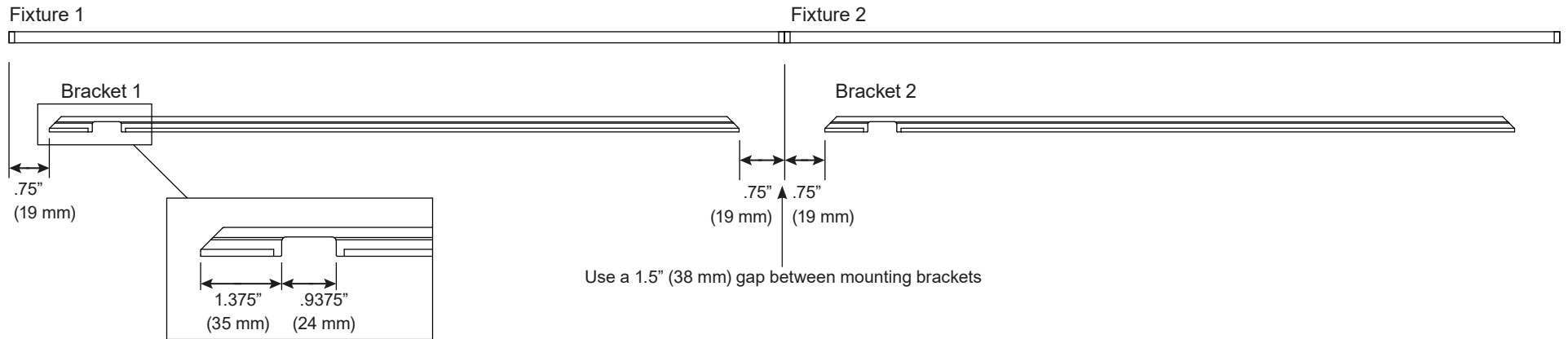
**Step 4: Install Fixture**

707-Z3-XX...XX  
707 | ZipThree Rail



### Step 1: Alignment of Bracket

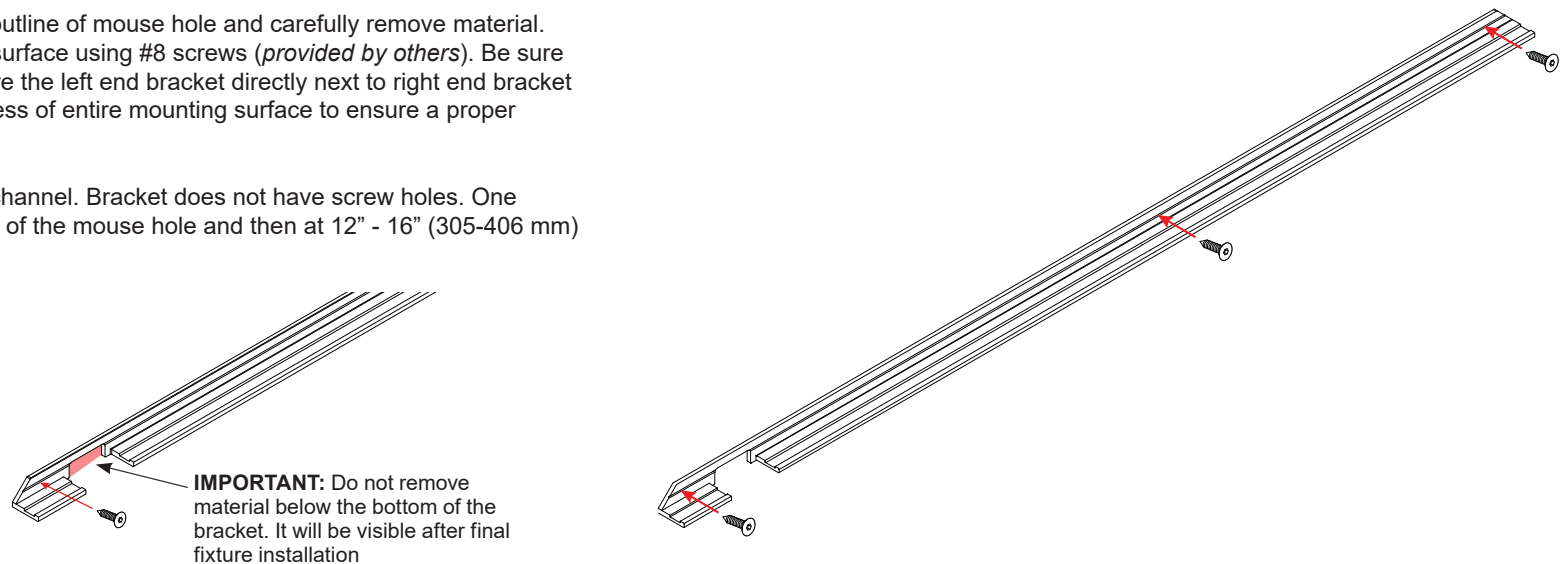
Accurate placement and alignment of the Surface Mount Bracket is very important. Vode recommends installer pay close attention to the levelness of mounting plane. Use the left end bracket (end with mouse hole opening) to properly align bracket and fixture placement. Right end bracket will be mounted directly next to the left end bracket. Mounting bracket should be inset .75" (19 mm) from desired fixture location. For multi-rail systems there should be a 1.5" (38 mm) gap between mounting brackets.



### Step 2: Install Bracket to Wall

Use mounting bracket to trace outline of mouse hole and carefully remove material. Secure left end bracket to wall surface using #8 screws (*provided by others*). Be sure bracket is level and flush. Secure the left end bracket directly next to right end bracket using # 8 screws. Check levelness of entire mounting surface to ensure a proper installation.

**NOTE:** Install screws in screw channel. Bracket does not have screw holes. One screw must be placed to the left of the mouse hole and then at 12" - 16" (305-406 mm) increments.



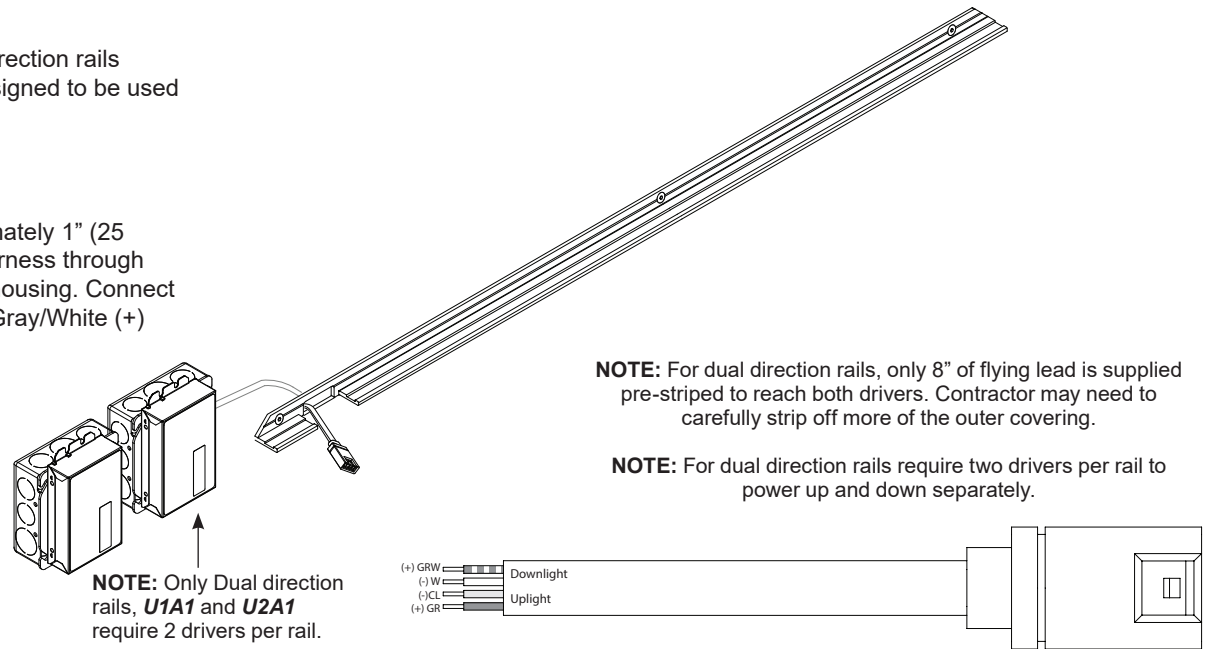
### Step 3: Install Wire Harness and Remote Power Supply

**NOTE:** Dual direction rails require two driver per rail and single direction rails require one driver per rail. The Surface Mount bracket is NOT designed to be used with conduit. The provided wire harness is plenum rated.

Refer to appendix for installation of remote power housing

Feed provided wire harness through mouse hole. Leave approximately 1" (25 mm) hanging out of the wall. Insert flying leads end of the wire harness through opening in mounting surface and feed through to remote power housing. Connect wire harness to power supply using designated leads (White (-), Gray/White (+) downlight, Clear (-) and Gray (+) uplight).

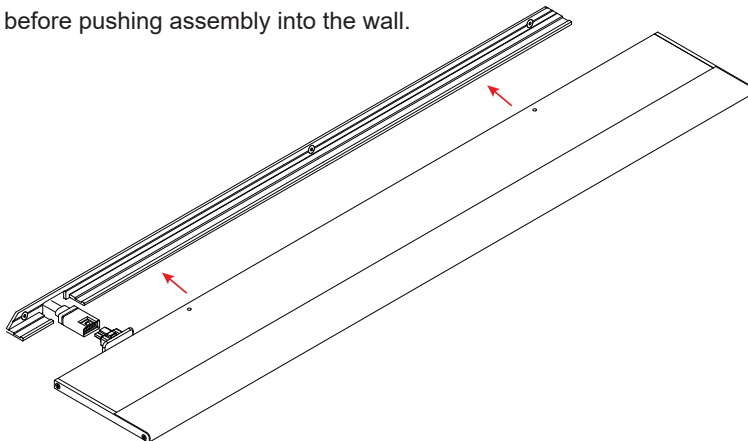
Do not power on system until the installation is complete.



### Step 4: Install Fixture

Connect wire harness to fixture connector.

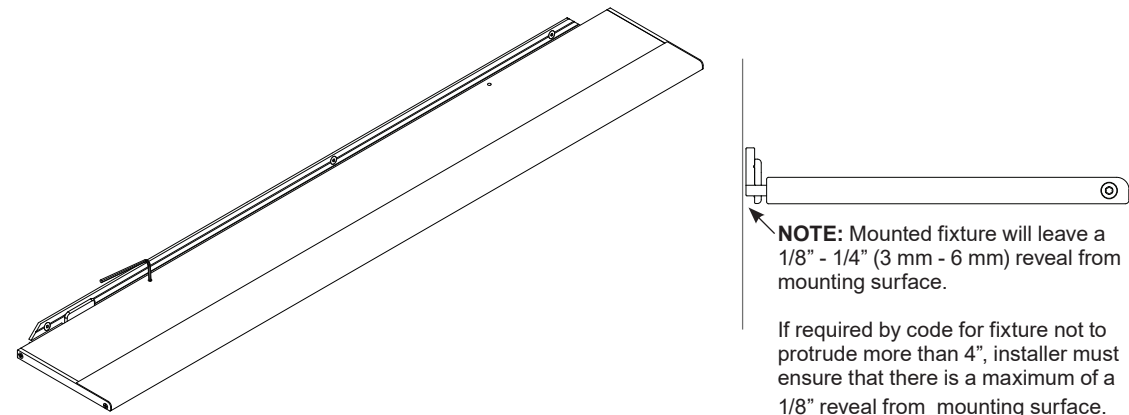
**NOTE:** Fixture connector adjusts side-to-side to allow proper alignment with mouse hole. Make sure connector latch is locked before pushing assembly into the wall.



### Step 5: Finish Installation

Slide fixture over bracket flange and adjust to desired location. Fixture connector should fit snugly into mouse hole. Tighten set screws using 1/16" hex key.

**Do not over tighten!**



## Install Remote Brick Power Supply

**IMPORTANT!** Before any installing power supply, turn off electricity at circuit box.

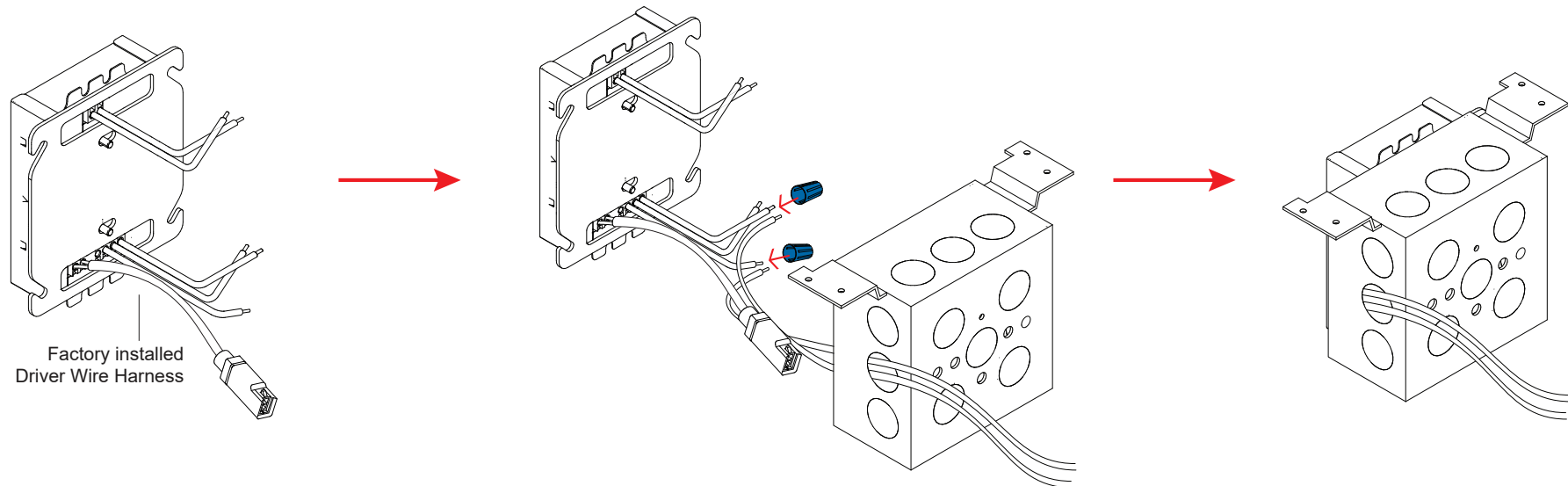
**NOTE:** Vode Brick style driver mounting plate is designed to mount only to 4" Square metal j-boxes with a minimum volume of 21 cu. in. Mounting plate contains important installation labeling, please consult to ensure correct driver is installed with correct corresponding rail.

Install j-box (*provided by others*) to desired surface using screws (*provided by others*). Run line, ground and neutral wiring and any applicable dimming controls into j-box through knockout and secure in place, using conduit as necessary per local coding. Use wire nuts (*provided by others*) to make a secure connection between all wiring. (*The provided wire leads are 18 AWG solid core*).

**DO NOT** power on system until instructed.

For remote power supply maximum distance or wiring questions, please consult **Vode Remote Power Guide**.

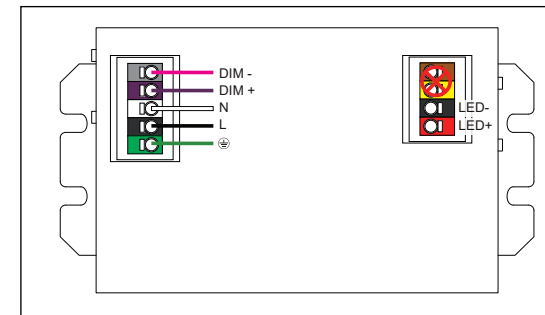
**NOTE:** If power housing is supplied pre-wired with cord and plug and wire harness installed, skip above steps and power system when instructed by plugging system into a standard outlet.



## Max Remote Driver Distance

Driver	Remote Distance
eldoLED	100' (30.5 m)
Lutron	<b>See Vode Power Guide</b>

For other wiring questions and driver specific information, see **Vode Remote Power Guide**.



**Example Only**

See Vode Remote Power Guide for wiring detail.

## Install Remote Linear Power Supply

**IMPORTANT!** Before installing any power supply, turn off electricity at circuit box.

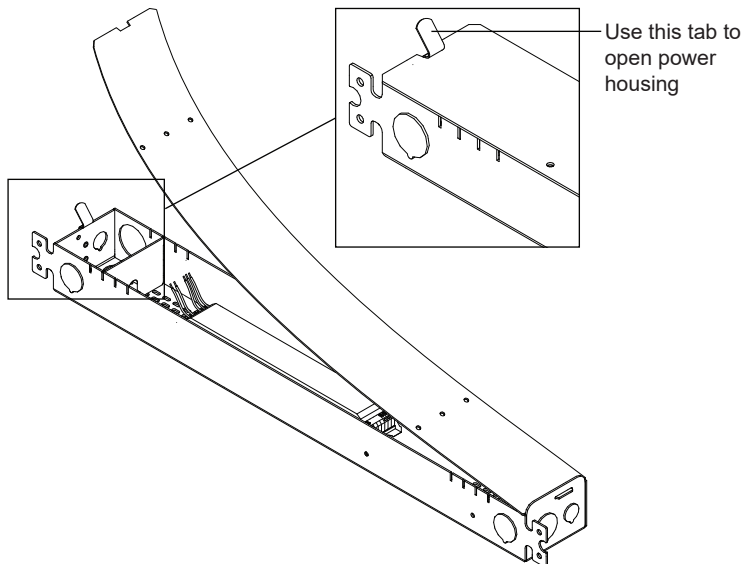
Vode recommends keeping track of which lids comes with which housing, as the lid contains important installation labeling.

Using the indicated tab, remove power housing lid to access mounting points. Install power supply housing to desired surface using screws (*provided by others*). Run line, ground and neutral wiring and any applicable dimming controls into power housing through any provided knockout and secure in place, using conduit as necessary per local coding. Use wire nuts (*provided by others*) to make a secure connection between all wiring. (*The provided wire leads are 18 AWG solid core*).

**DO NOT** power on system until instructed.

For remote power supply maximum distance or other wiring questions, please consult Vode Power Guide.

**NOTE:** If power housing is supplied pre-wired with cord and plug and wire harness installed, skip above steps and power system when instructed by plugging system into a standard outlet.

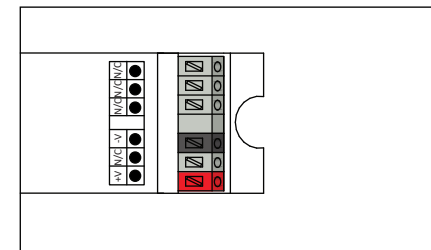


## Remote Driver Distance

All Vode linear remote drivers come in a 0.054" (1.4 mm) formed galvanized steel power supply housing with five (5) knockouts: (4) 1-1/8", (1) 7/8" and (1) 9/16". Power supply housing dimensions: 2 3/8" (56 mm) x 1 5/8" (33 mm) x 20 1/16" (525 mm)

Driver	Remote Distance
eldoLED	100' (30.5 m)
OSRAM	100' (30.5 m)
Magnitude	100' (30.5 m)
Lutron	<b>See Power Guide</b>

For other wiring questions and driver specific information, see **Vode Remote Power Guide**.



**Example Only**  
See Vode Remote Power Guide for wiring detail.

## Trouble Shooting Guide

### My fixture will not turn on:

---

Check all wiring is correct and all connections are fastened properly.

If all wiring is correct, remove fixture and connect it to a known working driver.

If the fixture lights up, then the problem is with the installed driver or wiring:

- 1) Check line voltage to driver is present.
- 2) Check driver wiring (see **Vode Power Guide for details**) and check wiring to fixture.
- 3) Check driver and dimming system are compatible (see **Vode Power Guide and the dimmer manufacturer's website**).

If fixture still doesn't light up, check that all dimming wires are installed correctly. Reversed polarity on any driver will cause the entire system to not work, (see **Vode Power Guide for wiring details**).

### The fixture is not dimming properly:

---

Check all wiring is correct and all connections are fastened properly.

Check driver wiring (see **Vode Power Guide for details**). Make sure driver is compatible with dimming controls (see **Vode Power Guide and the dimmer manufacturer's website**).

---

**For any help with installation or technical information, contact Vode Tech Service at 707-996-9898.**

## Important Notes

---

- Listed to UL standards for damp location by a Nationally Recognized Testing Laboratory (NRTL) recognized by OSHA
- Power Type: Class 2 (<60v) constant current driver.
- Dimming curve is factory preset to linear. Logarithmic is available upon request. See Vode Driver Guide for specific details and wiring diagram.
- Unless specified, one driver per rail will be supplied.
- 5 Year Limited Warranty. All material and component parts manufactured by Vode are guaranteed to be free from defects of material and/or workmanship for a period of 5 years from date of sale. Product must be installed according to Vode installation instructions and accepted trade practices. Power supplies and other auxiliary equipment are not covered under Vode warranty but may be covered by separate OEM warranty.