

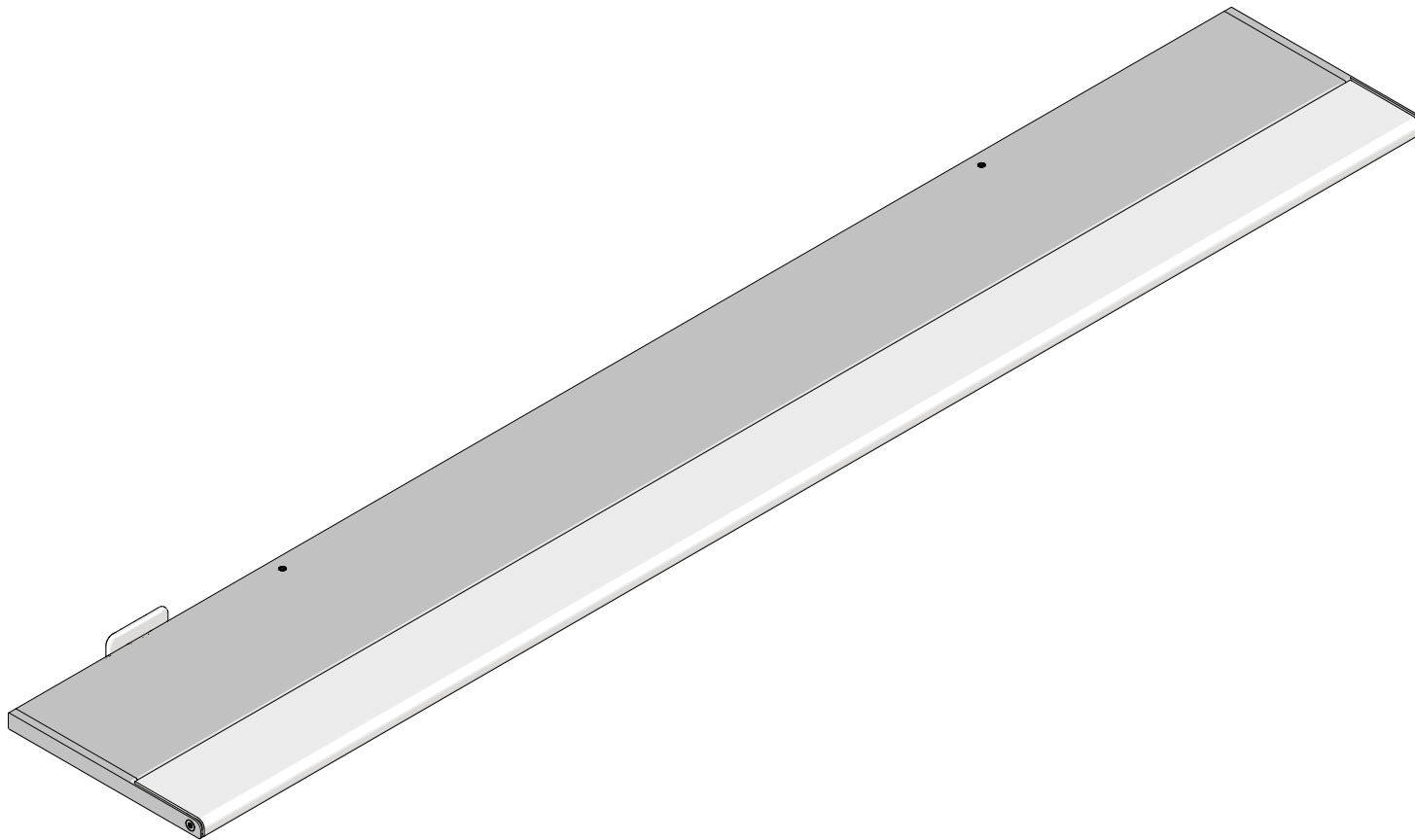
## Wall Mount | 707 | ZipThree® | Remote Power | Zero Mount (Mud-in)

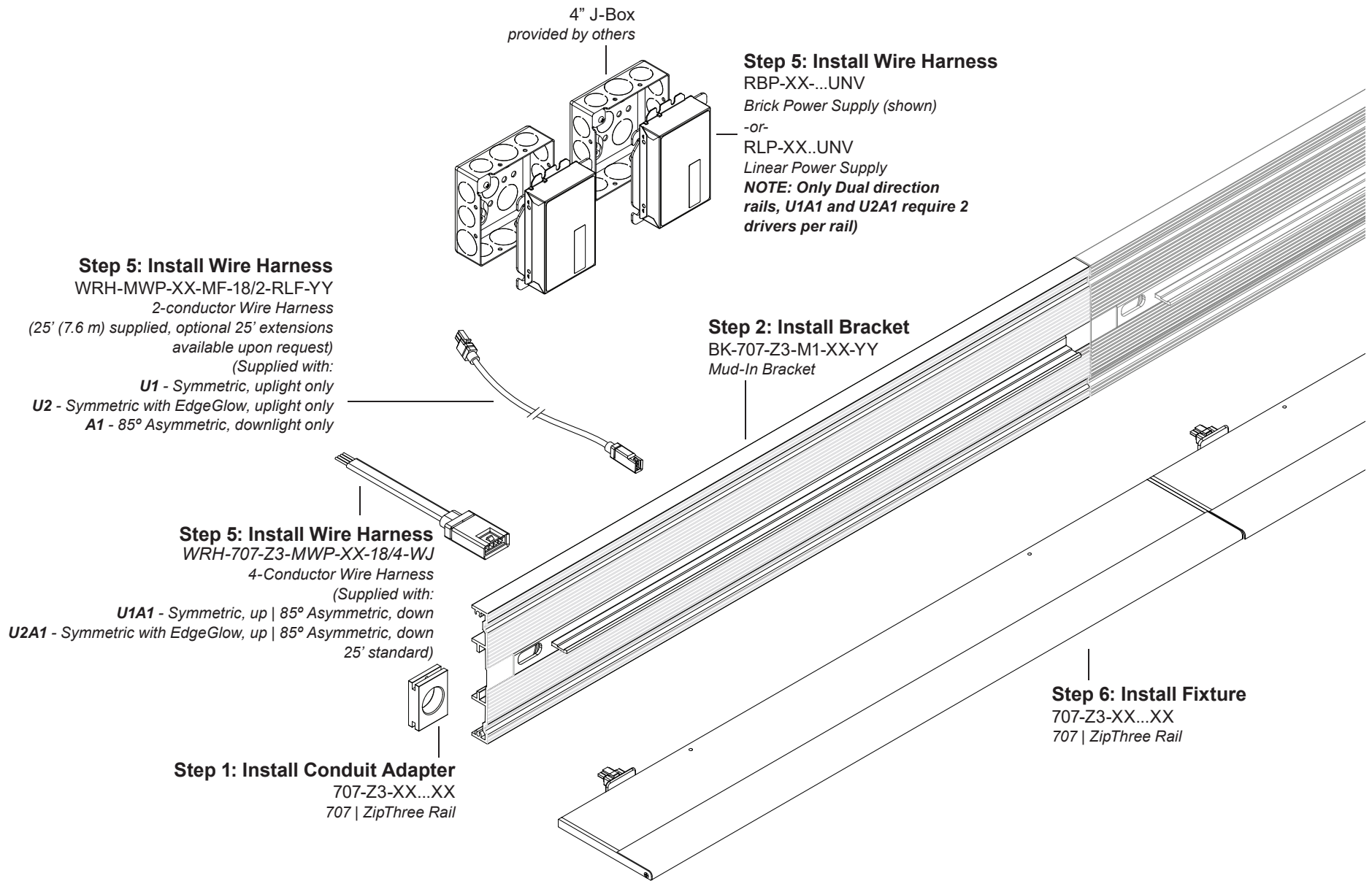
Please read instructions in their entirety before proceeding with any part of the installation. This product must be installed in accordance with the applicable installation code by a person familiar with the construction and operation of the product and the hazards involved. Consult a qualified electrician to ensure correct branch circuit rating. To prevent electric shock, disconnect all power before installing or servicing product. Rated for use in dry and damp locations only. Retain instructions for future reference.

Technical Support: 707.996.9898 or [technicalsupport@vode.com](mailto:technicalsupport@vode.com)

---

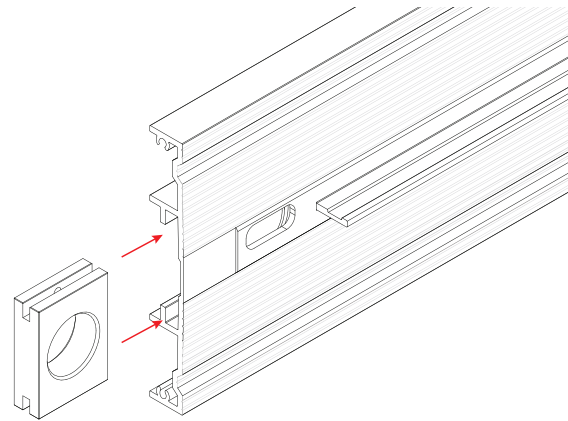
### Installed View





**Step 1: Attach Conduit Adapter to Bracket**

Insert the provided 3/4" NPS conduit adapter to the back of the bracket. Align with the mouse hole opening and use the provided set screws to secure in place. Repeat for all bracket in the system before starting installation.



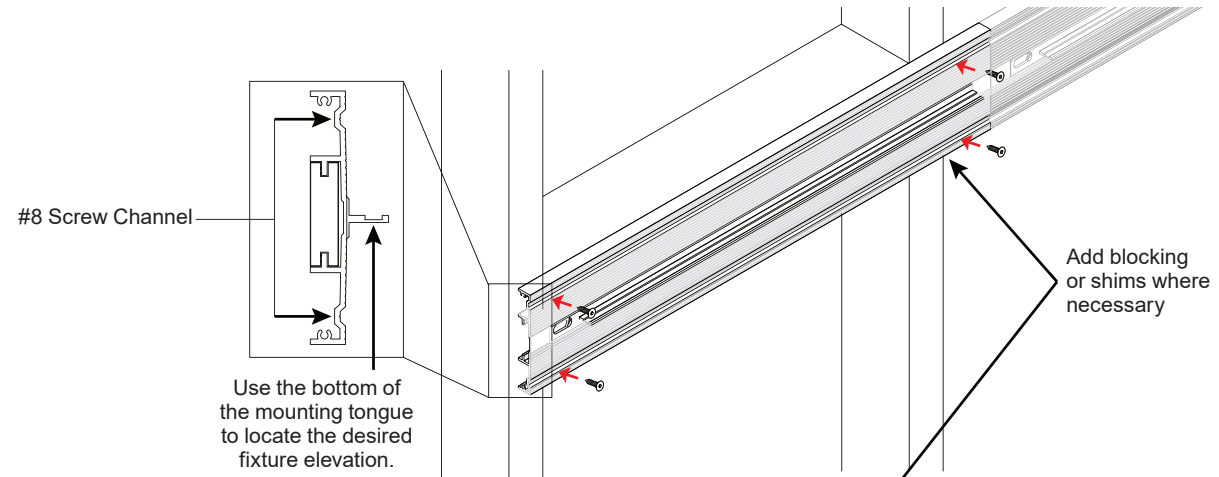
**Step 2: Install Bracket to Wall**

**NOTE:** Bracket and fixture are the same length. Bracket is designed to be used with 5/8" drywall

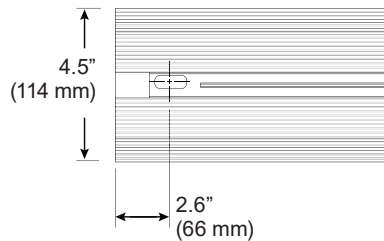
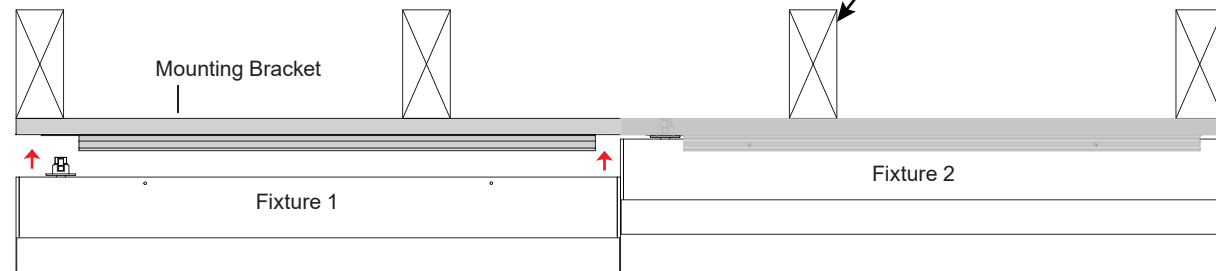
Accurate placement and alignment of Mud-In Bracket is very important. Once mudded, **NO adjustability is possible!** Vode recommends installer pay close attention to the levelness of mounting plane.

Secure bracket to wall studs/blocking using #8 screws (*provided by others*). Be sure bracket is level and flush, bracket cannot be adjusted after drywall installation. To identify desired fixture elevation measure to bottom of mounting tongue.

**NOTE:** Install screws in screw channel. Bracket does not have screw holes.



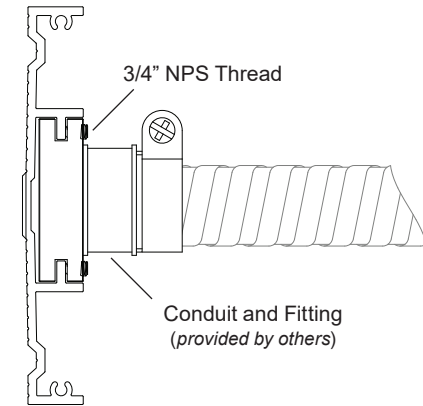
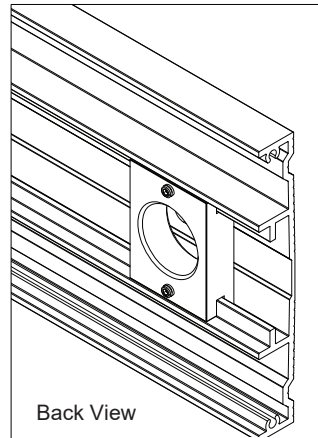
**Top View Installation**



**Step 3: Attach Conduit**

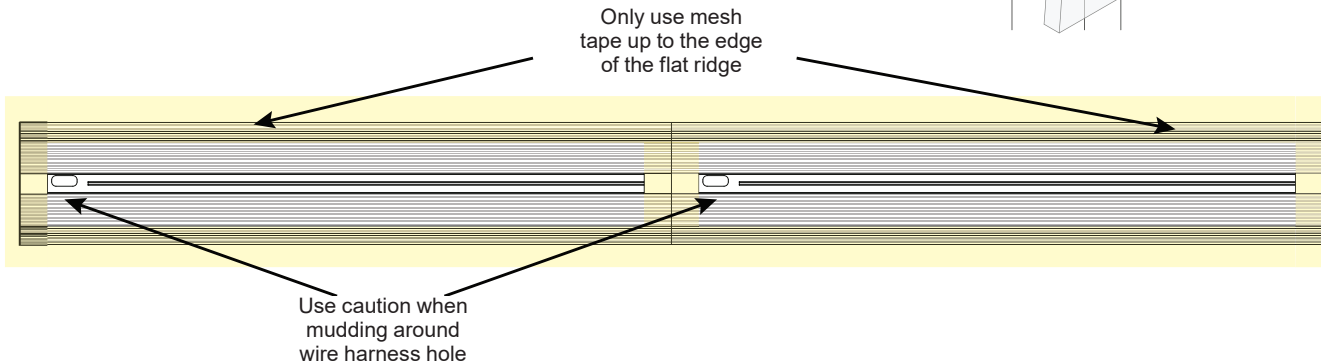
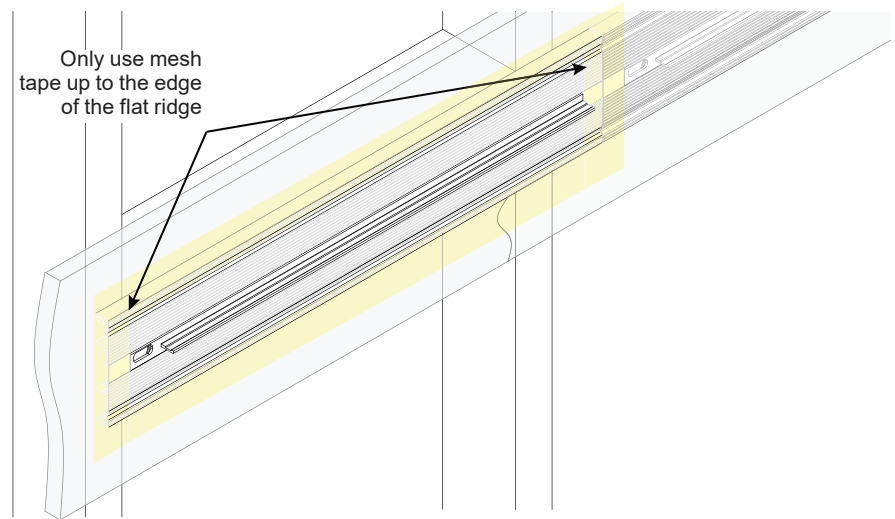
Attach conduit and fitting (*provided by others*) to back of conduit adapter, **MP-00008**, provided with 3/4" NPS Thread.

**NOTE:** Using a J-Box is not recommended.



**Step 4: Finish Wall**

Tape only on portions indicated below and mud up to flat portion of bracket. Keep mud out of mouse hole and keep bracket flange clean. Finish per job requirements, bracket is supplied white but is able to be painted in the field.



### Step 5: Install Wire Harness and Remote Power Supply

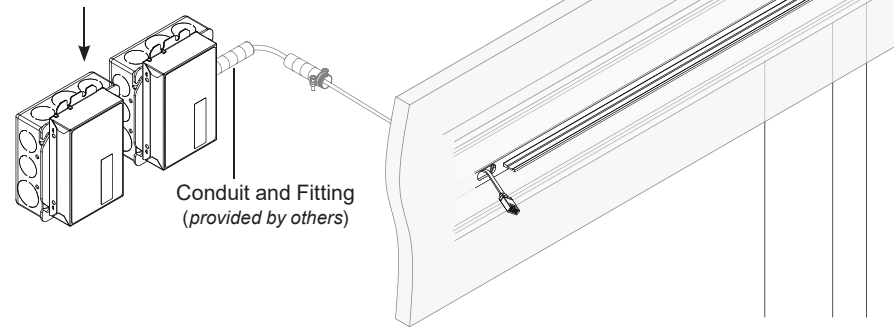
**NOTE:** Dual direction rails require two driver per rail and single direction rails require one driver per rail. The provided wire harness is plenum rated.

Refer to appendix for installation of remote power housing

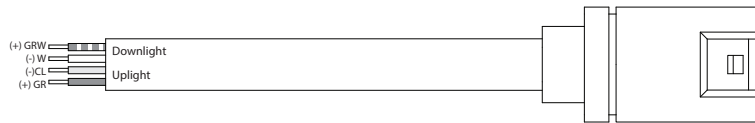
Feed provided wire harness through mouse hole. Leave approximately 1" (25 mm) hanging out of the wall. Insert flying leads end of the wire harness through opening in mounting surface and feed through to remote power housing. Connect wire harness to power supply using designated leads (White (-), Gray/White (+) downlight, Clear (-) and Gray (+) uplight).

Do not power on system until the installation is complete.

**NOTE:** Only Dual direction rails, **U1A1** and **U2A1** require 2 drivers per rail.



Conduit and Fitting  
(provided by others)



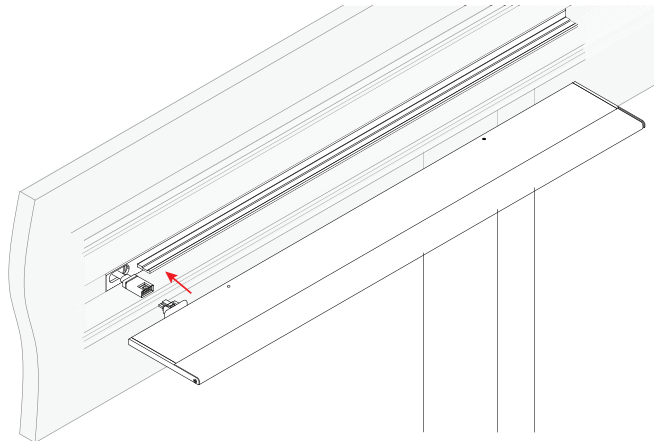
**NOTE:** For dual direction rails, only 8" of flying lead is supplied pre-stripped to reach both drivers. Contractor may need to carefully strip off more of the outer covering.

**NOTE:** For dual direction rails require two drivers per rail to power up and down separately.

### Step 6: Install Fixture

Connect wire harness to fixture connector.

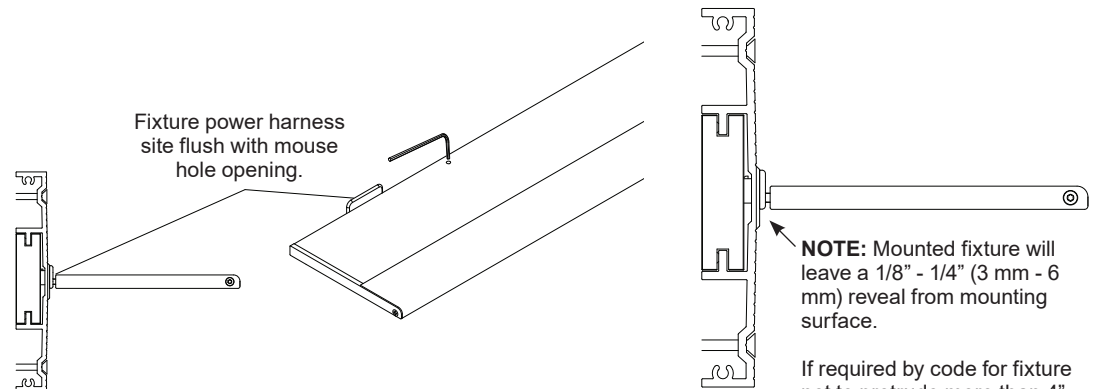
**NOTE:** Fixture connector adjusts side-to-side to allow proper alignment with mouse hole. Make sure connector latch is locked before pushing assembly into the wall.



### Step 7: Finish Installation

Slide fixture over bracket flange and adjust to desired location. Fixture connector should fit snugly into mouse hole. Tighten set screws using 1/16" hex key.

**Do not over tighten!**



**NOTE:** Mounted fixture will leave a 1/8" - 1/4" (3 mm - 6 mm) reveal from mounting surface.

If required by code for fixture not to protrude more than 4", installer must ensure that there is a maximum of a 1/8" reveal from mounting surface.

## Install Remote Brick Power Supply

**IMPORTANT!** Before installing any power supply, turn off electricity at circuit box.

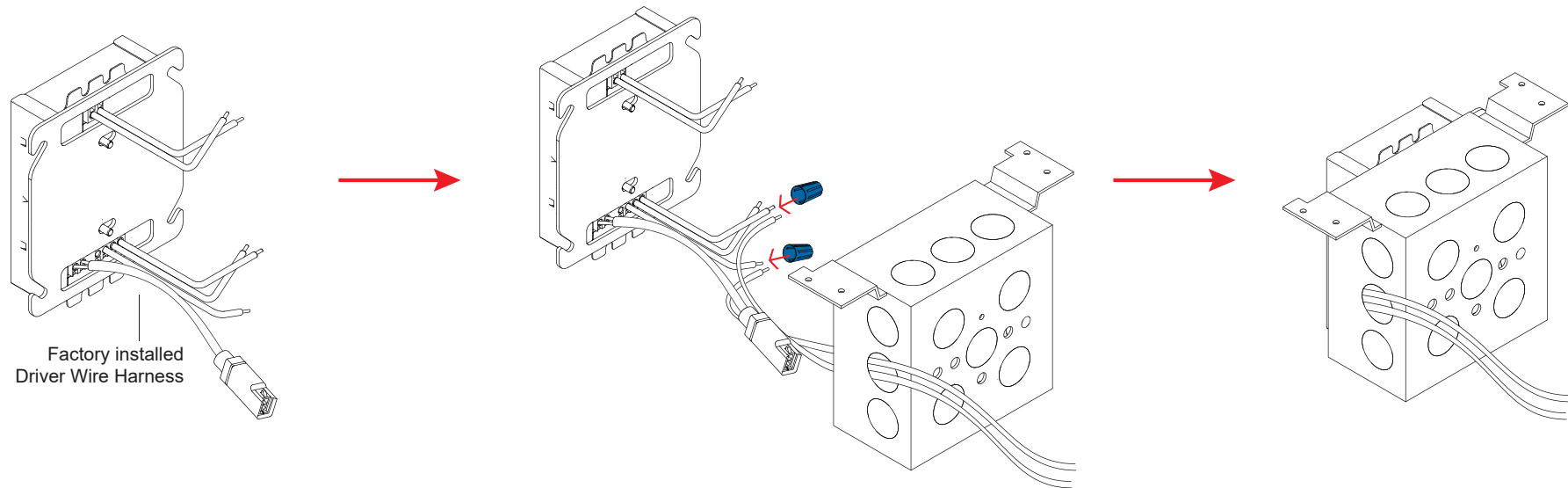
**NOTE:** Vode Brick style driver mounting plate is designed to mount only to 4" Square metal j-boxes with a minimum volume of 21 cu. in. Mounting plate contains important installation labeling, please consult to ensure correct driver is installed with correct corresponding rail.

Install j-box (*provided by others*) to desired surface using screws (*provided by others*). Run line, ground and neutral wiring and any applicable dimming controls into j-box through knockout and secure in place, using conduit as necessary per local coding. Use wire nuts (*provided by others*) to make a secure connection between all wiring. (*The provided wire leads are 18 AWG solid core*).

**DO NOT** power on system until instructed.

For remote power supply maximum distance or wiring questions, please consult **Vode Remote Power Guide**.

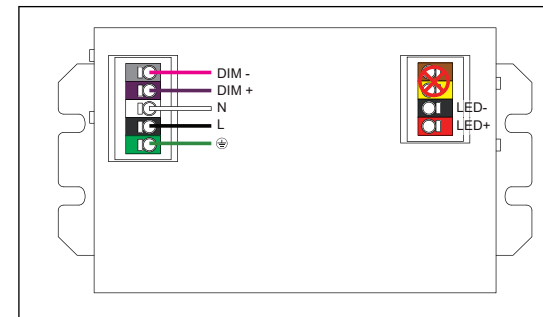
**NOTE:** If power housing is supplied pre-wired with cord and plug and wire harness installed, skip above steps and power system when instructed by plugging system into a standard outlet.



## Max Remote Driver Distance

| Driver  | Remote Distance             |
|---------|-----------------------------|
| eldoLED | 100' (30.5 m)               |
| Lutron  | <b>See Vode Power Guide</b> |

For other wiring questions and driver specific information, see **Vode Remote Power Guide**.



**Example Only**

See *Vode Remote Power Guide* for wiring detail.

## Install Remote Linear Power Supply

**IMPORTANT!** Before installing any power supply, turn off electricity at circuit box.

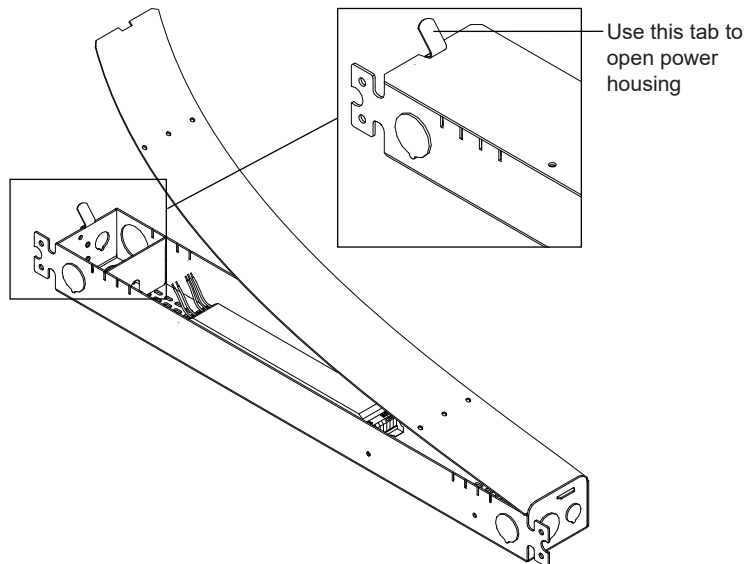
Vode recommends keeping track of which lids comes with which housing, as the lid contains important installation labeling.

Using the indicated tab, remove power housing lid to access mounting points. Install power supply housing to desired surface using screws (*provided by others*). Run line, ground and neutral wiring and any applicable dimming controls into power housing through any provided knockout and secure in place, using conduit as necessary per local coding. Use wire nuts (*provided by others*) to make a secure connection between all wiring. (*The provided wire leads are 18 AWG solid core*).

**DO NOT** power on system until instructed.

For remote power supply maximum distance or other wiring questions, please consult Vode Power Guide.

**NOTE:** If power housing is supplied pre-wired with cord and plug and wire harness installed, skip above steps and power system when instructed by plugging system into a standard outlet.

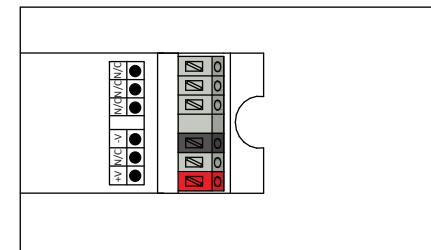


## Remote Driver Distance

All Vode linear remote drivers come in a 0.054" (1.4 mm) formed galvanized steel power supply housing with five (5) knockouts: (4) 1-1/8", (1) 7/8" and (1) 9/16". Power supply housing dimensions: 2 3/8" (56 mm) x 1 5/8" (33 mm) x 20 1/16" (525 mm)

| Driver    | Remote Distance        |
|-----------|------------------------|
| eldoLED   | 100' (30.5 m)          |
| OSRAM     | 16' (4.8 m)            |
| Magnitude | 100' (30.5 m)          |
| Lutron    | <b>See Power Guide</b> |

For other wiring questions and driver specific information, see **Vode Remote Power Guide**.



**Example Only**  
See Vode Remote Power Guide for wiring detail.

## Trouble Shooting Guide

### My fixture will not turn on:

---

Check all wiring is correct and all connections are fastened properly.

If all wiring is correct, remove fixture and connect it to a known working driver.

If the fixture lights up, then the problem is with the installed driver or wiring:

- 1) Check line voltage to driver is present.
- 2) Check driver wiring (see **Vode Power Guide for details**) and check wiring to fixture.
- 3) Check driver and dimming system are compatible (see **Vode Power Guide and the dimmer manufacturer's website**).

If fixture still doesn't light up, check that all dimming wires are installed correctly. Reversed polarity on any driver will cause the entire system to not work, (see **Vode Power Guide for wiring details**).

### The fixture is not dimming properly:

---

Check all wiring is correct and all connections are fastened properly.

Check driver wiring (see **Vode Power Guide for details**). Make sure driver is compatible with dimming controls (see **Vode Power Guide and the dimmer manufacturer's website**).

---

**For any help with installation or technical information, contact Vode Tech Service at 707-996-9898.**

## Important Notes

---

- Listed to UL standards for damp location by a Nationally Recognized Testing Laboratory (NRTL) recognized by OSHA
- Power Type: Class 2 (<60v) constant current driver.
- Dimming curve is factory preset to linear. Logarithmic is available upon request. See Vode Driver Guide for specific details and wiring diagram.
- Unless specified, one driver per rail will be supplied.
- 5 Year Limited Warranty. All material and component parts manufactured by Vode are guaranteed to be free from defects of material and/or workmanship for a period of 5 years from date of sale. Product must be installed according to Vode installation instructions and accepted trade practices. Power supplies and other auxiliary equipment are not covered under Vode warranty but may be covered by separate OEM warranty.