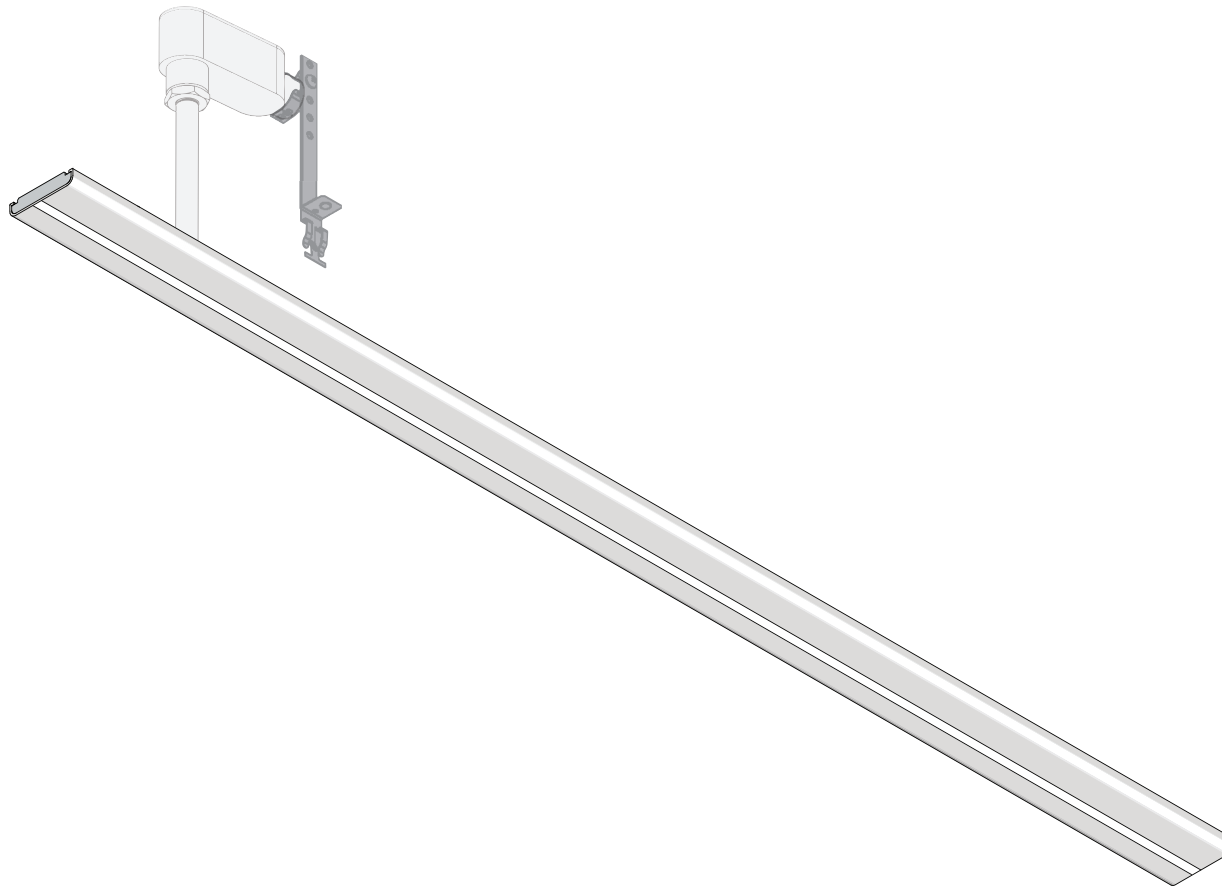


Suspended Ceiling | 707 | ZipTwo® | Remote Power | Chicago Plenum Adapter

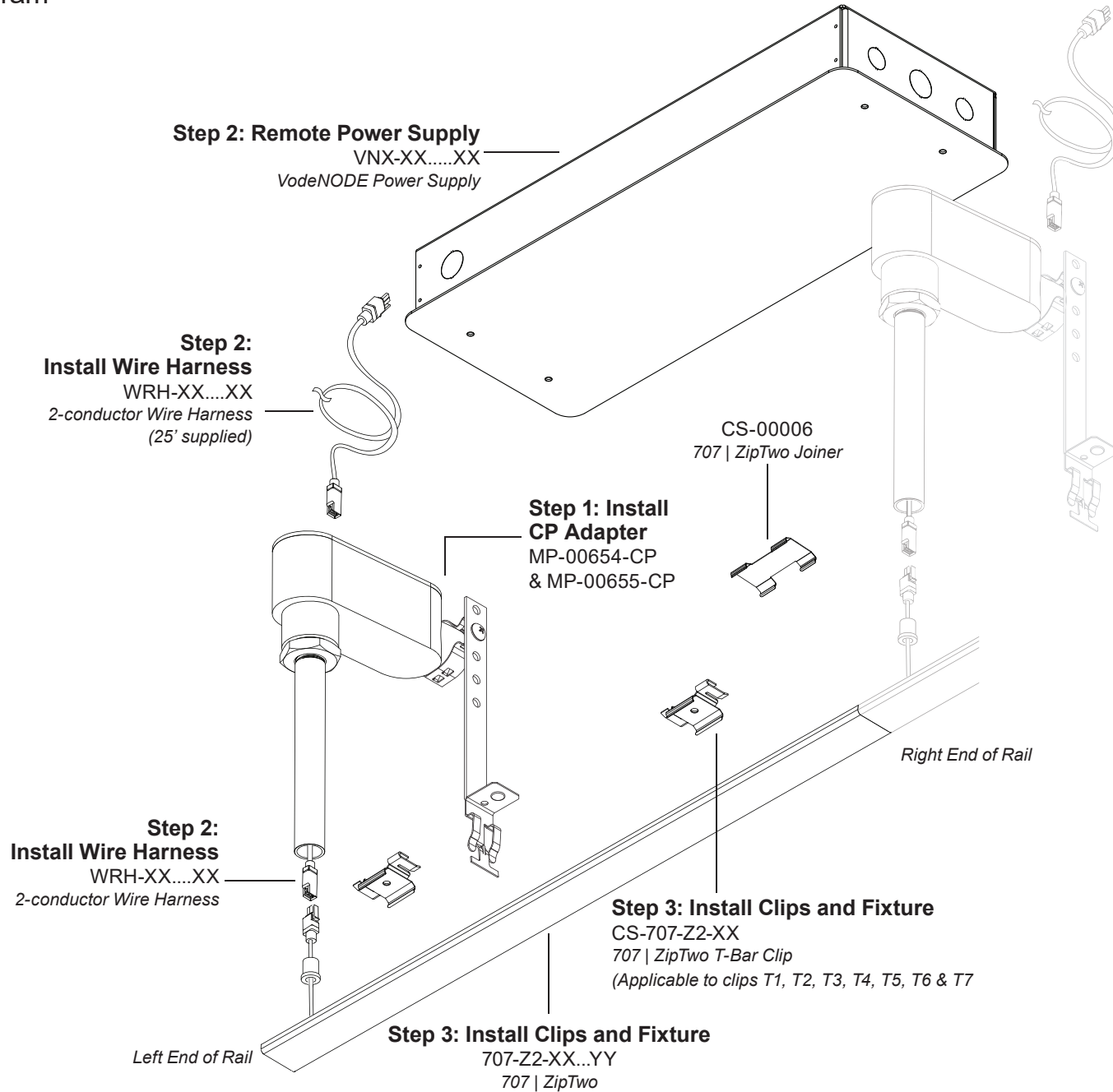
Please read instructions in their entirety before proceeding with any part of the installation. This product must be installed in accordance with the applicable installation code by a person familiar with the construction and operation of the product and the hazards involved. Consult a qualified electrician to ensure correct branch circuit rating. To prevent electric shock, disconnect all power before installing or servicing product. Rated for use in dry and damp locations only. Retain instructions for future reference.

Technical Support: 707.996.9898 or technicalsupport@vode.com

Installed View

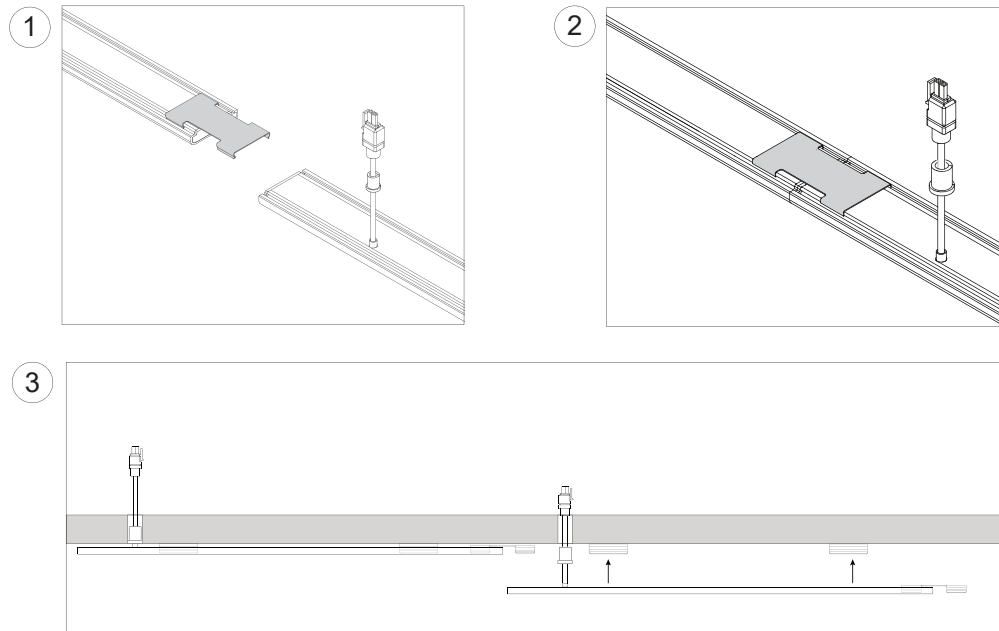


Parts Diagram



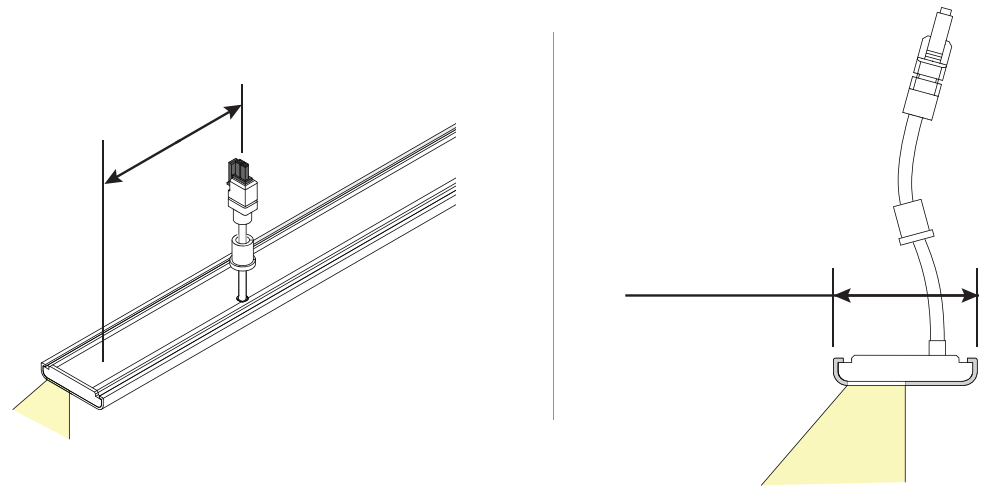
ZipTwo Joiner

A Joiner clip is provided to align rails for a continuous ZipTwo system. Install Joiner clips to rails before mounting rails to the mounting clips.



Fixture Orientation

Power feed comes out the bottom of the fixture (as shown) and is located 3" (76 mm) in from the end of the fixture. For 85° optics, power feed is located on the right side of the fixture, when facing the illuminated surface.

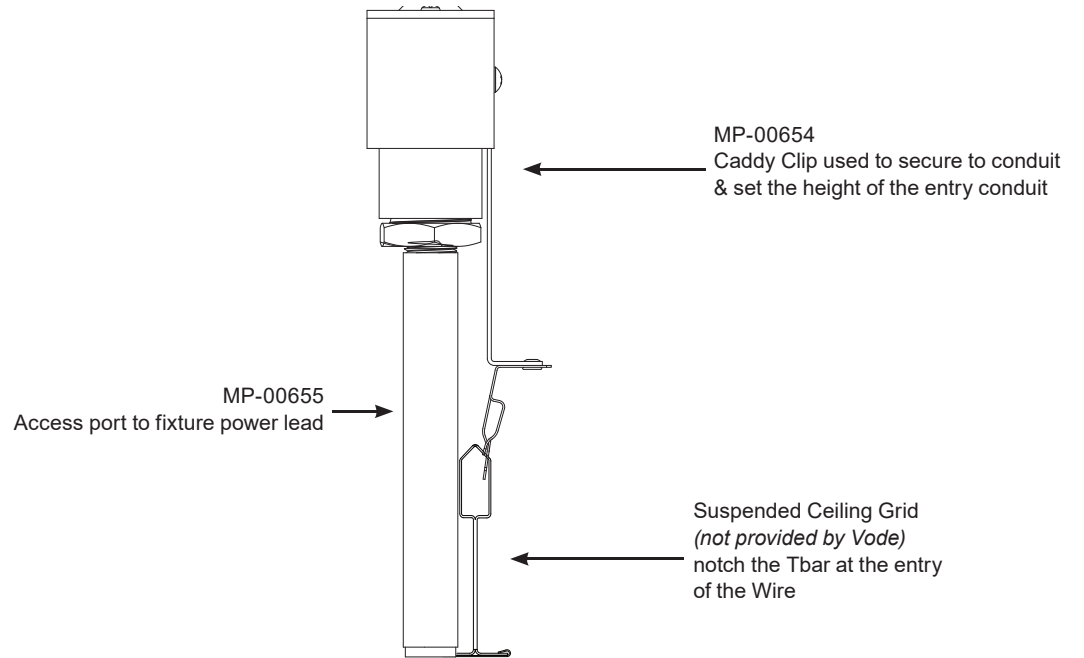


Step 1: Install Chicago Plenum Adapter

Accurate placement of Chicago Plenum Adapter is important.

Adapter location is always 3" on-center from the end of the fixture, unless otherwise specified. Install one Adapter per fixture.

NOTE: Be careful with fixture orientation for the 85° Asymmetric ZipTwo Fixture. See page 2 for more information.



Step 2: Install Power Supply

Refer to appendix for installation of VodeNODE

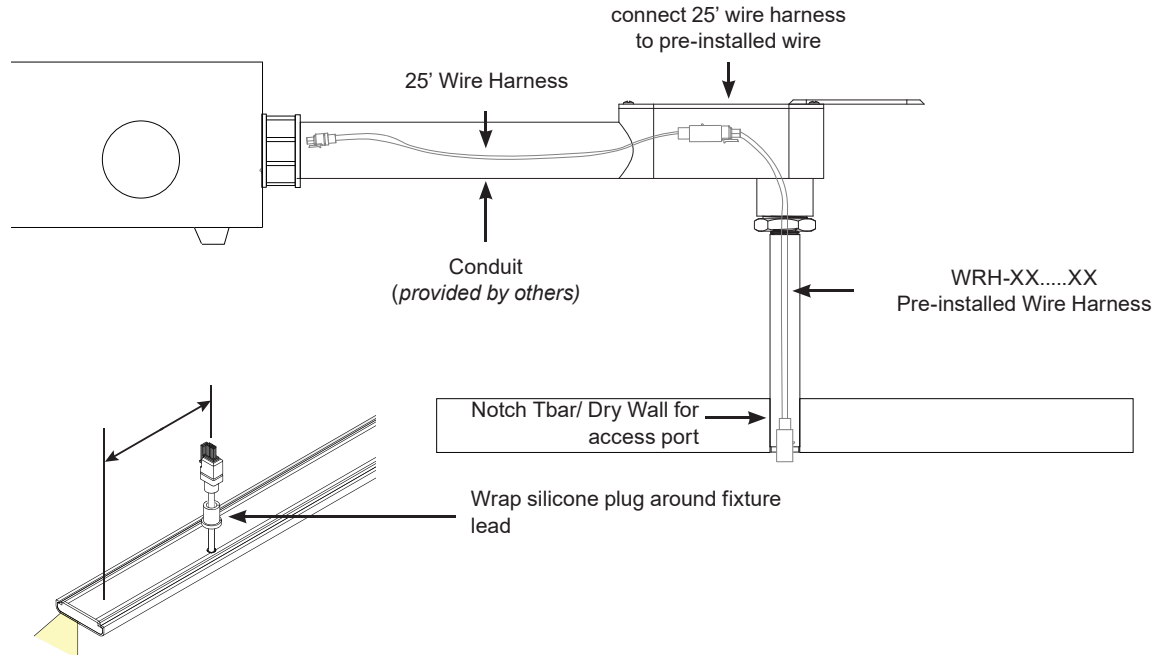
Slide the cover off of the CP Adapter Bathtub to make wiring connections.

Feed the supplied 25' wire harness through conduit and connect it to the wire harness that is pre-installed in the CP adapter, and close the bathtub lid.

Remove the provided plug and wrap around fixture lead so that it is snug around the wire harness. Connect the fixture lead to the pre-installed wire harness within the CP adapter. When mounting the fixture, push fixture lead with plug into the adapter pipe so that it is snug and sealed.

For remote power supply maximum distance or other wiring questions, please consult Vode Power Guide.

DO NOT POWER ON



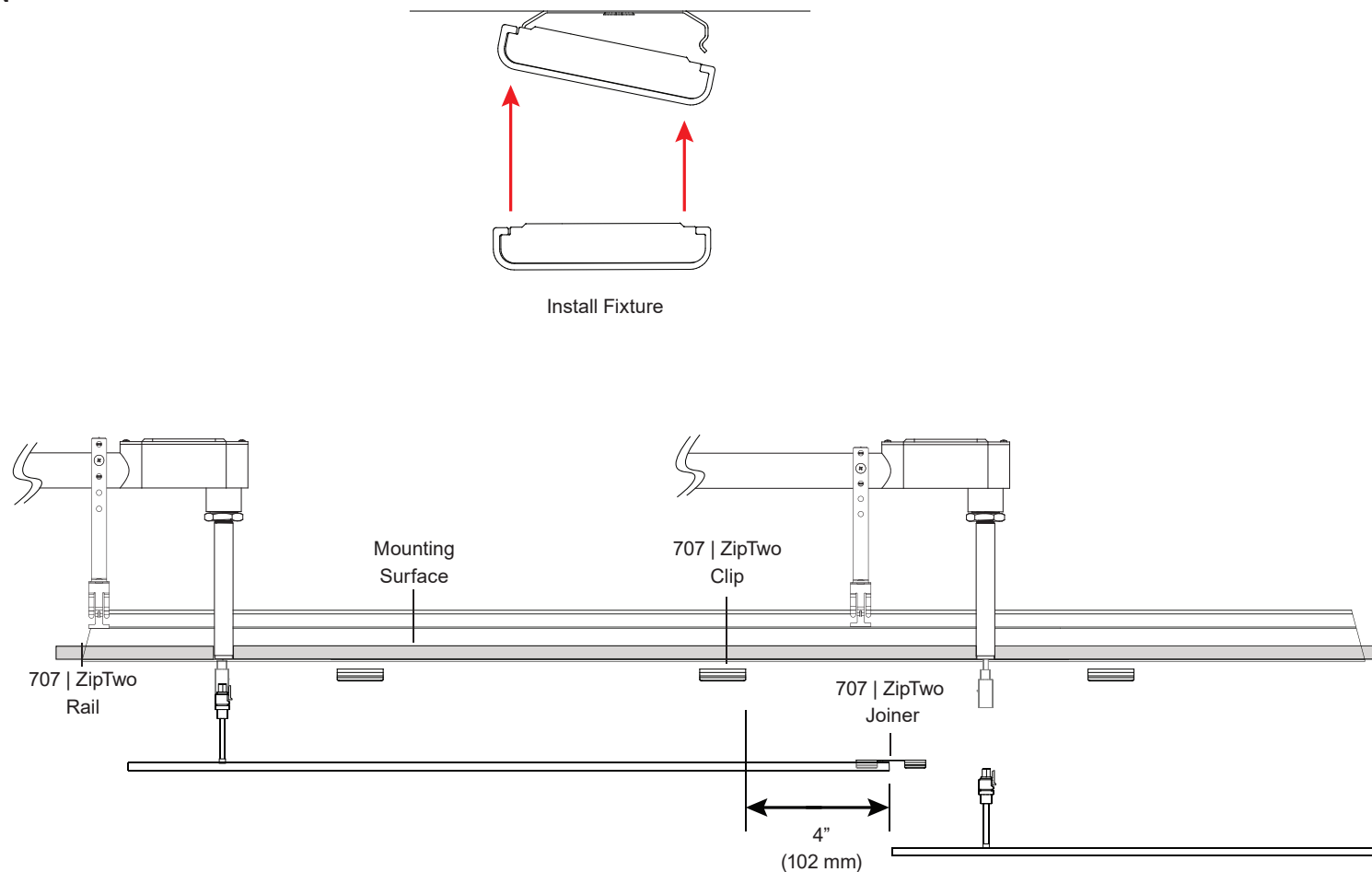
Step 3: Install Rail

Fixtures will be supplied with two clips for rails under 48", four clips for rails 48" to 72" and six clips for 96" rails. Position one clip 4" (102mm) from the end of the fixture opposite from the adapter and evenly space the remaining clips.

Run fixture cable through chicago plenum adapter, fixture clip and connect fixture wire harness. Insert silicone plug (wrapped around fixture lead) back into CP pipe so that it is flush with end of pipe and creates an airtight seal. Insert fixture onto installed clips by inserting back edge of fixture to installed clips, then carefully snapping front edge on. For multi-rail systems, see ZipTwo Joiner instructions, page 2.

NOTE: Be careful with fixture orientation for the 85° Asymmetric ZipTwo Fixture. For 85° optics, power feed is located on the left side of the fixture, when facing the illuminated surface. See page 2 for more information.

Power system **ON**



Install VodeNODE

IMPORTANT! Before installing any power supply, turn off electricity at circuit box.

NOTE: VodeNODE remote power enclosure is provided with multiple mounting points to allow for easy installation into a variety of spaces. Every driver housing will be provided with a system specific key specifying which driver has been provided to power which rail. Please contact factory for any questions.

Remove housing cover screws and remove cover plate, making sure to set aside in a safe location to ensure cover plate is not damaged. Locate mounting points (see appendix page 9) and secure power supply housing to surface utilizing all mounting points. Mounting hardware is not included. Run line, ground, and neutral wiring, and any applicable dimming controls into power housing through any provided knockout and secure in place, using conduit as necessary per local coding. Use wire nuts (*provided by others*) to make a secure connection between all wiring. (*The provided wire leads are 18 AWG solid core*).

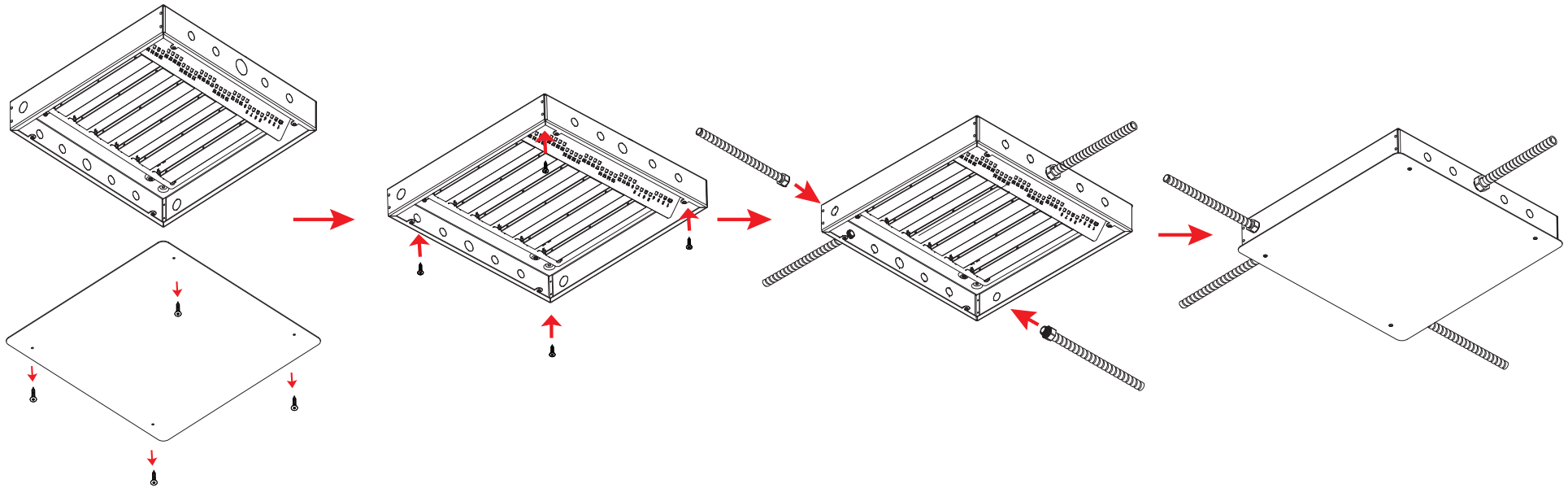
IMPORTANT: Before installing power housing cover, turn system **ON** and ensure system is fully operational. Replace power housing cover and secure in place using provided screws, making sure all wires are inside housing to ensure they are not pinched between housing and cover (*Figure 7*). **DO NOT** power on system until instructed.

For remote power supply maximum distance or wiring questions, please consult **Vode Remote Power Guide**.

Max Remote Driver Distance

Driver	Remote Distance
eldoLED	100' (30.5 m)
Lutron	See Vode Power Guide

For other wiring questions and driver specific information, see **Vode Remote Power Guide**.



Trouble Shooting Guide

My fixture will not turn on:

Check all wiring is correct and all connections are fastened properly.

If all wiring is correct, remove fixture and connect it to a known working driver.

If the fixture lights up, then the problem is with the installed driver or wiring:

- 1) Check line voltage to driver is present.
- 2) Check driver wiring (see **Vode Power Guide for details**) and check wiring to fixture.
- 3) Check driver and dimming system are compatible (see **Vode Power Guide and the dimmer manufacturer's website**).

If fixture still doesn't light up, check that all dimming wires are installed correctly. Reversed polarity on any driver will cause the entire system to not work, (see **Vode Power Guide for wiring details**).

The fixture is not dimming properly:

Check all wiring is correct and all connections are fastened properly.

Check driver wiring (see **Vode Power Guide for details**). Make sure driver is compatible with dimming controls (see **Vode Power Guide and the dimmer manufacturer's website**).

For any help with installation or technical information, contact Vode Tech Service at 707-996-9898.

Important Notes

- Listed to UL standards for damp location by a Nationally Recognized Testing Laboratory (NRTL) recognized by OSHA
- Power Type: Class 2 (<60v) constant current driver.
- Dimming curve is factory preset to linear. Logarithmic is available upon request. See Vode Driver Guide for specific details and wiring diagram.
- Unless specified, one driver per rail will be supplied.
- 5 Year Limited Warranty. All material and component parts manufactured by Vode are guaranteed to be free from defects of material and/or workmanship for a period of 5 years from date of sale. Product must be installed according to Vode installation instructions and accepted trade practices. Power supplies and other auxiliary equipment are not covered under Vode warranty but may be covered by separate OEM warranty.
- Any modifications, alterations, or unauthorized adjustments to the wire harness, including but not limited to cutting or splicing, outside of its original factory configuration will void all warranties.