

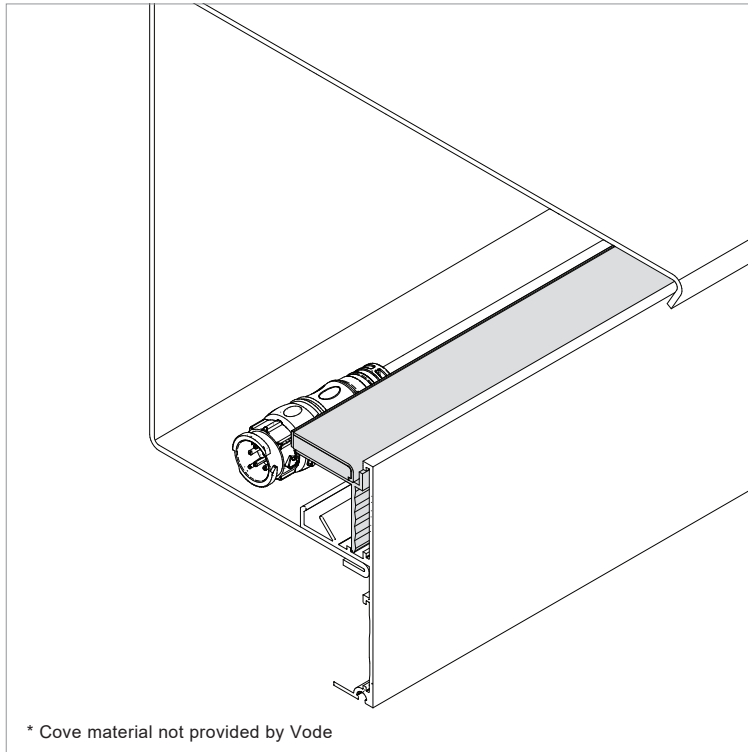
Wall Cove | Integral DMX Power

ZipWave™ | 707

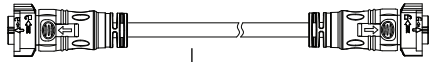
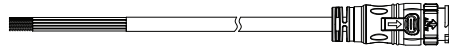
Please read instructions in their entirety before proceeding with any part of the installation. This product must be installed in accordance with the applicable installation code by a person familiar with the construction and operation of the product and the hazards involved. Consult a qualified electrician to ensure correct branch circuit rating. To prevent electric shock, disconnect all power before installing or servicing product. Rated for use in dry and damp locations only. Retain instructions for future reference.

Technical Support: 707-996-9898

Installed View

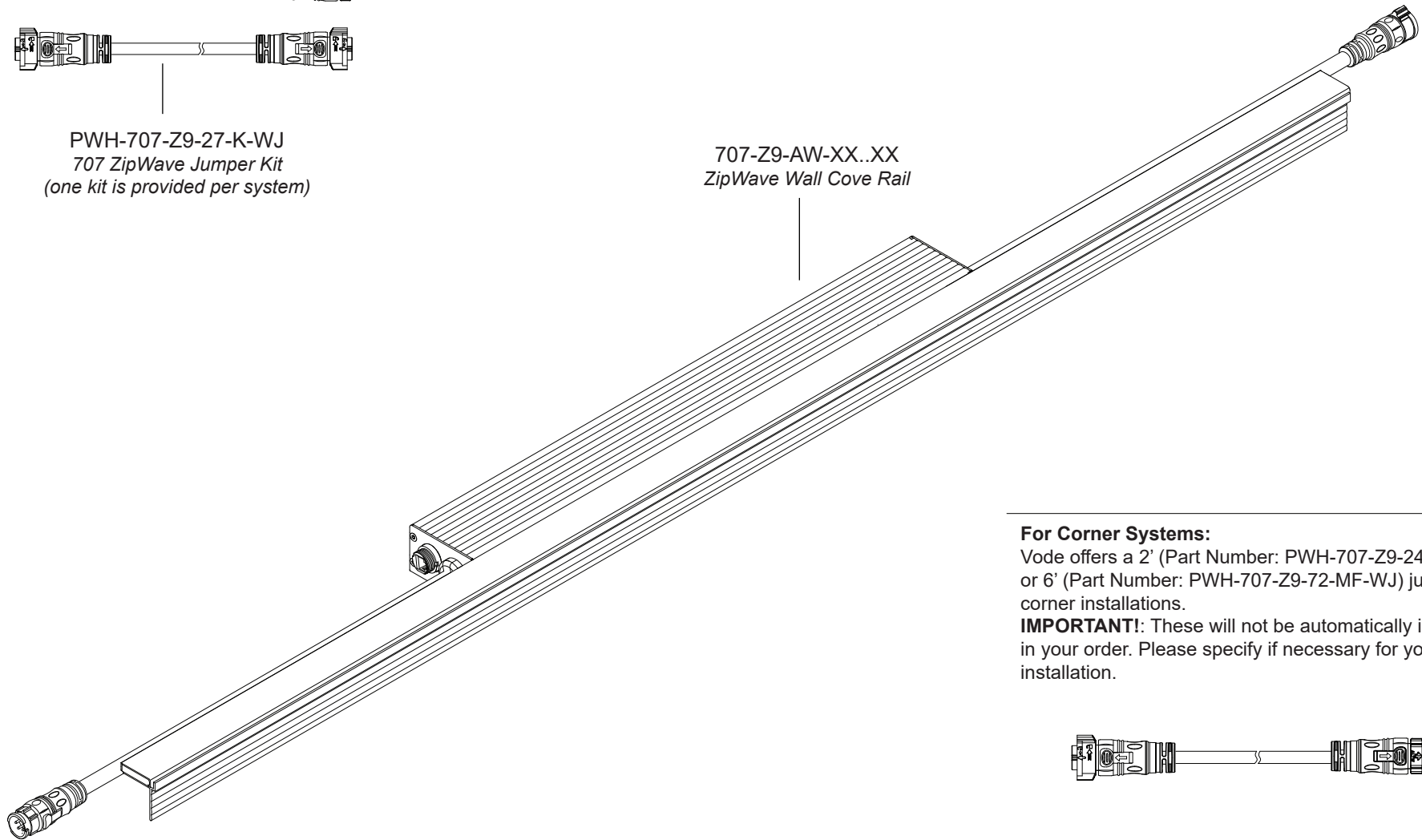


Parts Diagram



PWH-707-Z9-27-K-WJ
707 ZipWave Jumper Kit
(one kit is provided per system)

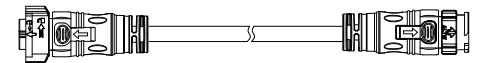
707-Z9-AW-XX..XX
ZipWave Wall Cove Rail



For Corner Systems:

Vode offers a 2' (Part Number: PWH-707-Z9-24-MF-WJ) or 6' (Part Number: PWH-707-Z9-72-MF-WJ) jumper for corner installations.

IMPORTANT! These will not be automatically included in your order. Please specify if necessary for your installation.



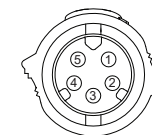
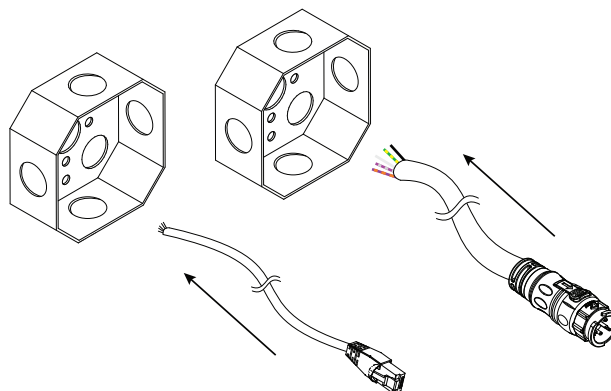
Installation Instructions

1 Wire Fixture

NOTE: Install Vode ZipWave lighting fixtures only after the Ceiling-to-Wall Light cove is installed.

Install a j-box (*provided by others*), as required Use the provided whip to wire fixture through the j-box, using the provided wiring guide to connect system controls. Through a separate opening, bring in a CAT 5 control cable (*provided by others*) for DMX controls.

DO NOT power system on



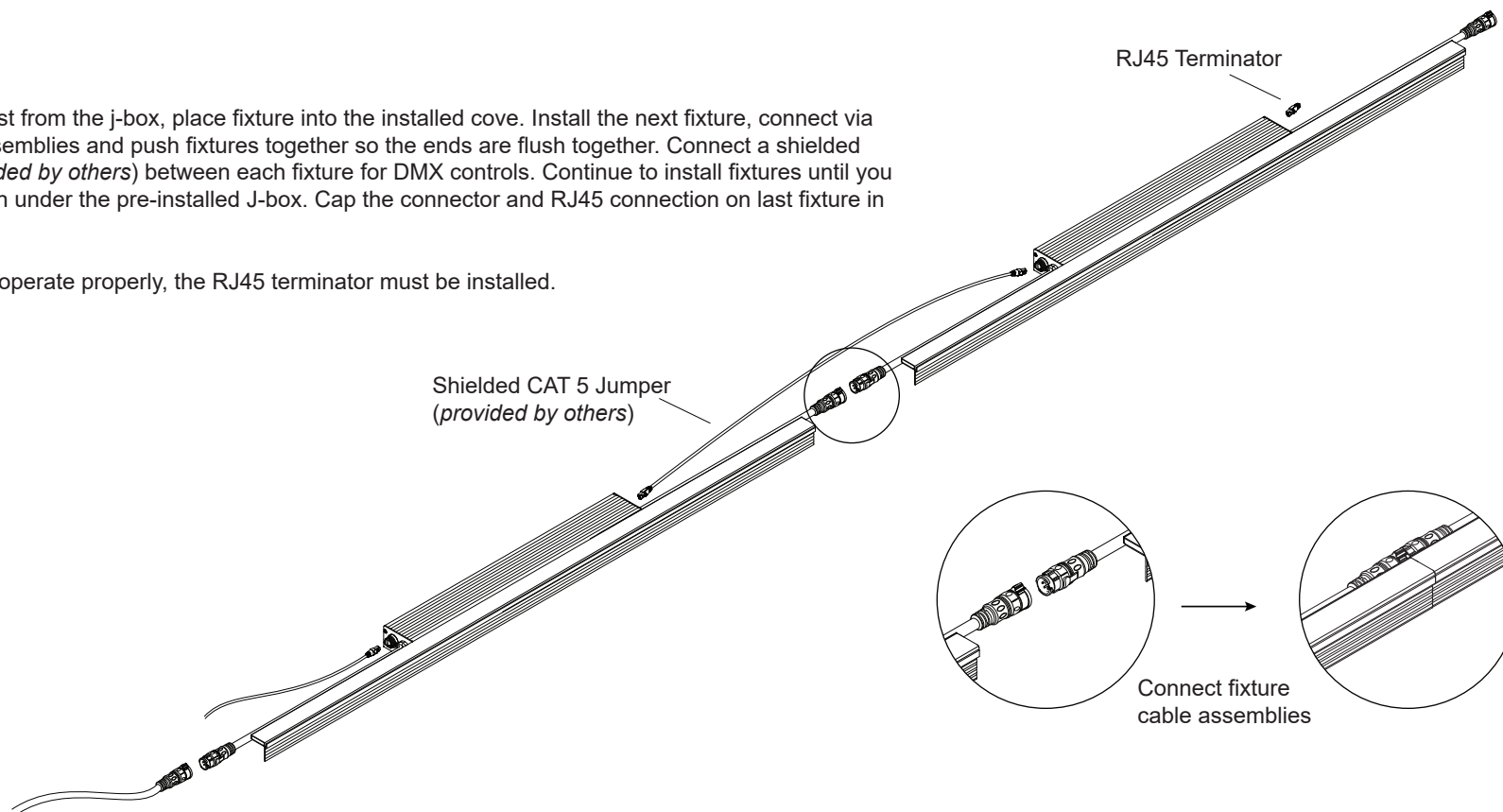
AX | 100-0% Dimming

- ① Black = Line
- ② Green / Yellow = Ground
- ③ White = Neutral
- ④ Purple / Grey = **CAP THIS WIRE**
- ⑤ Purple / Orange = **CAP THIS WIRE**

2 Install Fixture

Starting with the fixture farthest from the j-box, place fixture into the installed cove. Install the next fixture, connect via the push to connect cable assemblies and push fixtures together so the ends are flush together. Connect a shielded CAT 5 jumper (*provided by others*) between each fixture for DMX controls. Continue to install fixtures until you reach the first fixture in the run under the pre-installed J-box. Cap the connector and RJ45 connection on last fixture in a run.

NOTE: In order for system to operate properly, the RJ45 terminator must be installed.

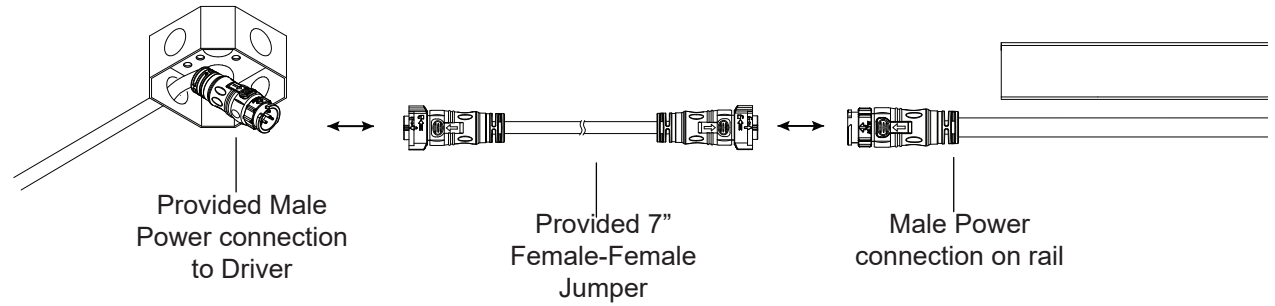


Installation Instructions

3 Power System On

Once all fixtures have been installed, bring power into the system by connecting the fixture cable closest to the j-box to the whip installed in step 1.

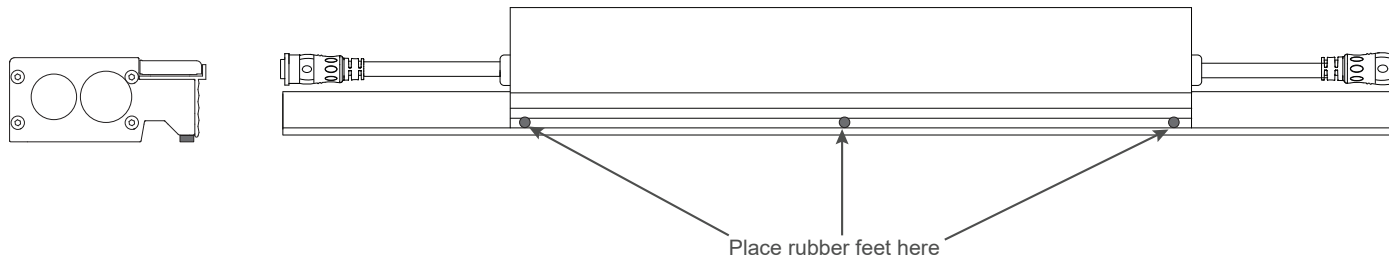
NOTE: In order to make the power connection, a 7" female-female jumper cable has been provided in case the power cable on the last rail is male.



Installation Instructions

Leveling Instructions for Non-Armstrong Coves

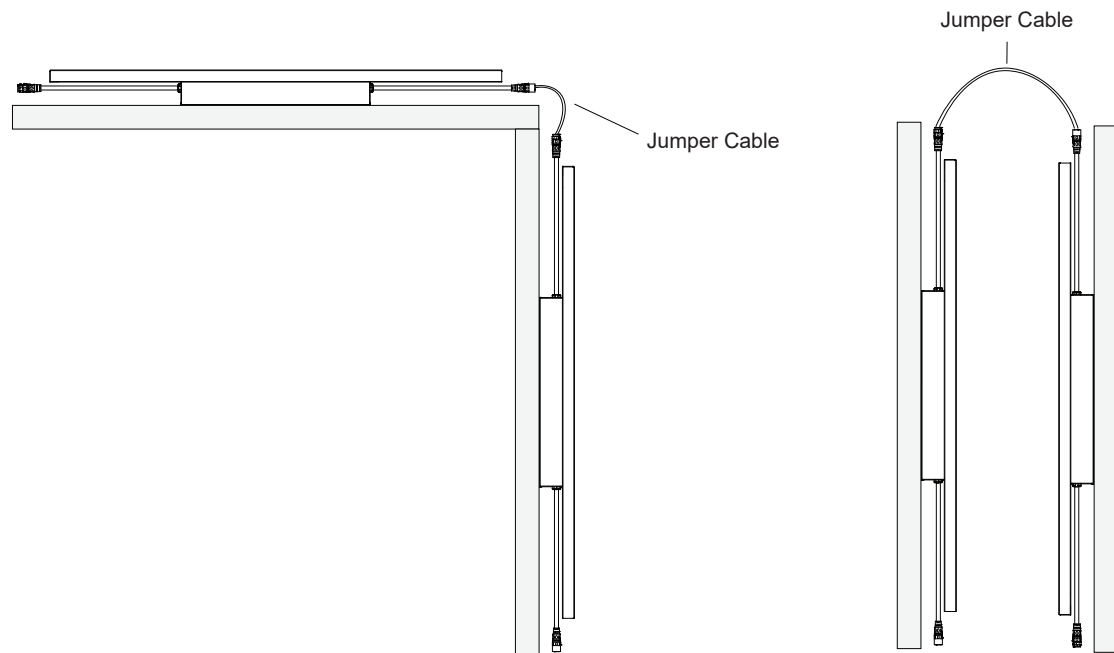
Leveling instructions for 707 ZipWave when not installed into an Armstrong AXIOM indirect light cove. Vode provides small rubber feet to level out the bottom of the ZipWave Fixture.



Install Jumper Cables (*optional*)

NOTE: To connect two fixture runs to the same power supply, use the male to female jumper cable (ex. for corner or parallel runs).

CAUTION: Jumper cables to connect around corners need to be ordered separately. Please specify accordingly.



Appendix

Trouble Shooting Guide

My fixture will not turn on:

Check all wiring is correct and all connections are fastened properly.

If all wiring is correct, remove fixture and connect it to a known working driver.

If the fixture lights up, then the problem is with the installed driver or wiring:

- 1) Check line voltage to driver is present.
- 2) Check driver wiring (see **Vode Driver Guide for details**) and check wiring to fixture.
- 3) Check driver and dimming system are compatible (see **Vode Dimmer Guide and the dimmer manufacturer's website**).

If fixture still doesn't light up, check that all dimming wires are installed correctly. Reversed polarity on any driver will cause the entire system to not work, (see **Vode Driver Guide for wiring details**).

The fixture is not dimming properly:

Check all wiring is correct and all connections are fastened properly.

Check driver wiring (see **Vode Driver Guide for details**). Make sure driver is compatible with dimming controls (see **Vode Dimmer Guide and the dimmer manufacturer's website**).

For any help with installation or technical information, contact Vode Tech Service at 707-996-9898.

Important Notes

- Listed to UL standards for damp location by a Nationally Recognized Testing Laboratory (NRTL) recognized by OSHA
- Operating Temperature: 32°F to 104°F (0°C to 40°C).
- Input Voltage: 120v - 277v, 50/60hz.
- Power Type: Class 2 (<60v) constant current driver.
- Dimming curve is factory preset to linear. Logarithmic is available upon request. See Vode Driver Guide for specific details and wiring diagram.
- Unless specified, one driver per rail will be supplied.
- 5 Year Limited Warranty. All material and component parts manufactured by Vode are guaranteed to be free from defects of material and/or workmanship for a period of 5 years from date of sale. Product must be installed according to Vode installation instructions and accepted trade practices. Power supplies and other auxiliary equipment is not covered under Vode warranty but may be covered by separate OEM warranty.

Maximum System Length per Power Feed

Input Voltage	Output		
	LO	SO	HO
120	235' (72 m)	145' (44 m)	71' (22 m)
277	533' (162 m)	333' (101 m)	166' (51 m)

For other wiring questions, see **Vode Driver Guide**.