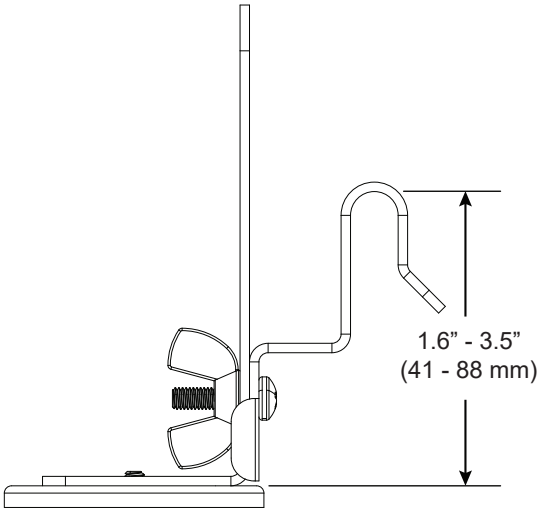
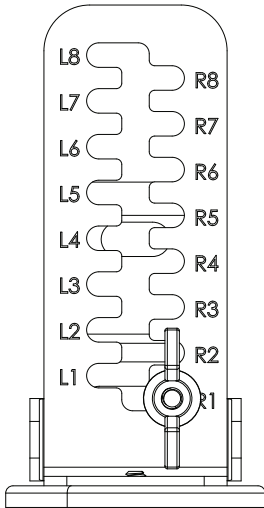
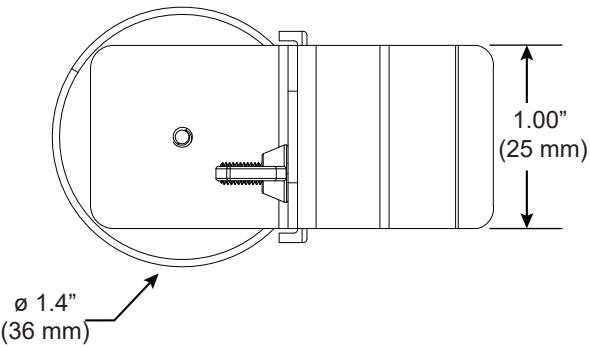
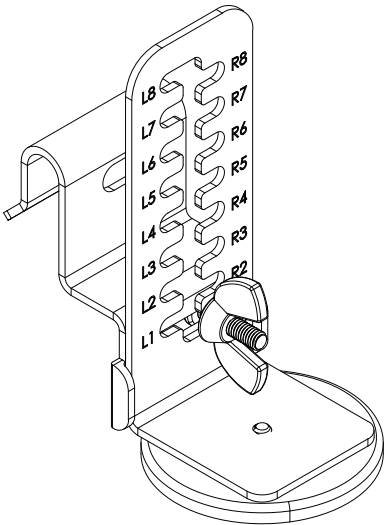
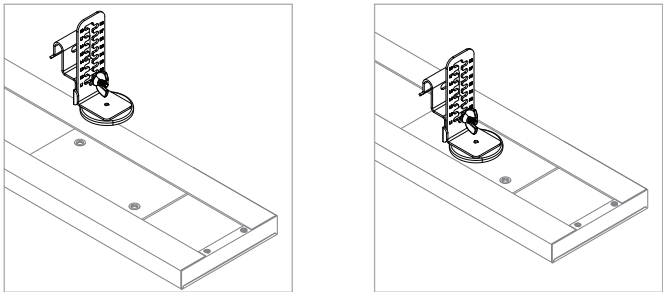


# Small Adjustable Grille Clip

For use with Nexa | 807

Mounts Nexa | 807 rail to most grille tiles between 1.6" and 3.5" deep. Adjustable clip system allows for easy selection of rail height between grille fins. Each "R-R" setting is 1/4" apart. Each "R-L" setting is 1/8" apart. Rails are provided with 2 clips per 24" - 60" fixtures and 3 clips per 72" - 96" fixture.

Technical Support: 707-996-9898



PART NUMBER **CS-00068-NX**

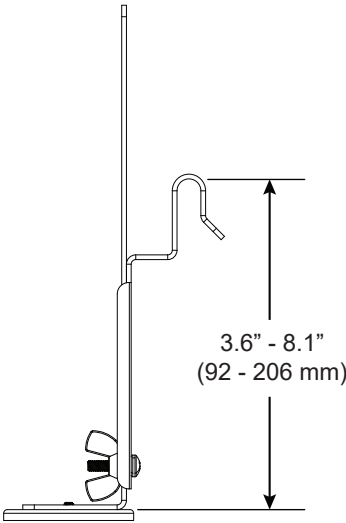
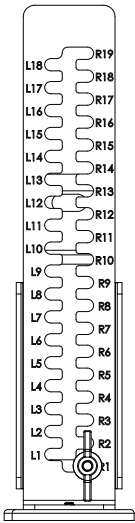
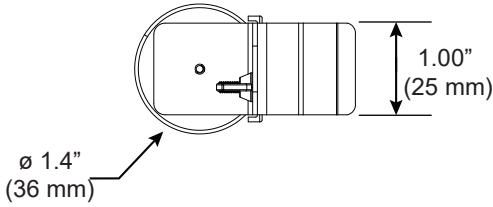
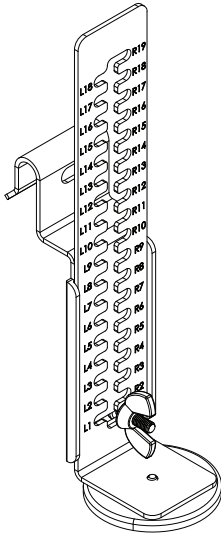
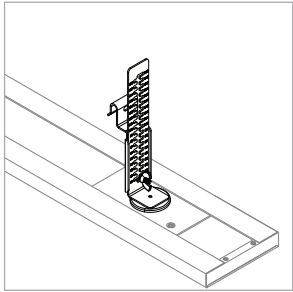
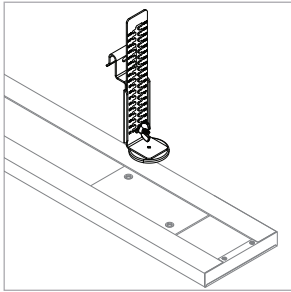
DESCRIPTION Clip, Nexa, adjustable T-bar clip assembly for grille ceiling panel with magnet, size small, mill finish

# Large Adjustable Grille Clip

For use with Nexa | 807

Mounts Nexa | 807 rail to most grille tiles between 3.6" and 8.1" deep. Adjustable clip system allows for easy selection of rail height between grille fins. Each "R-R" setting is 1/4" apart. Each "R-L" setting is 1/8" apart. Rails are provided with 2 clips per 24" - 60" fixtures and 3 clips per 72" - 96" fixture.

Technical Support: 707-996-9898



PART NUMBER **CS-00068-NX**

DESCRIPTION Clip, Nexa, adjustable T-bar clip assembly for grille ceiling panel with magnet, size large, mill finish