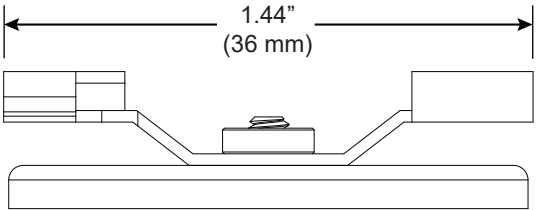
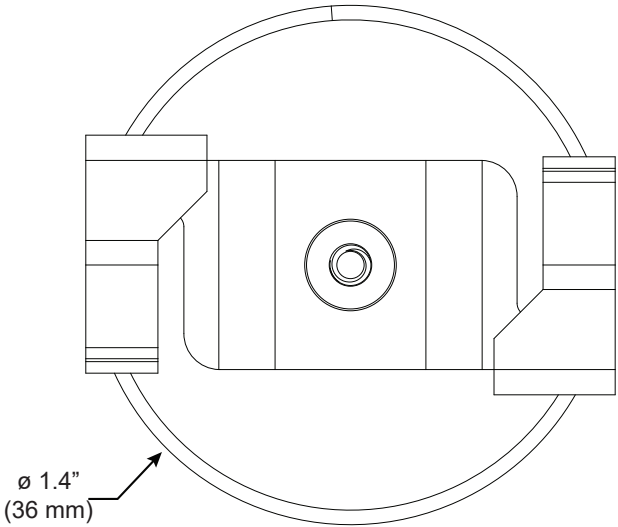
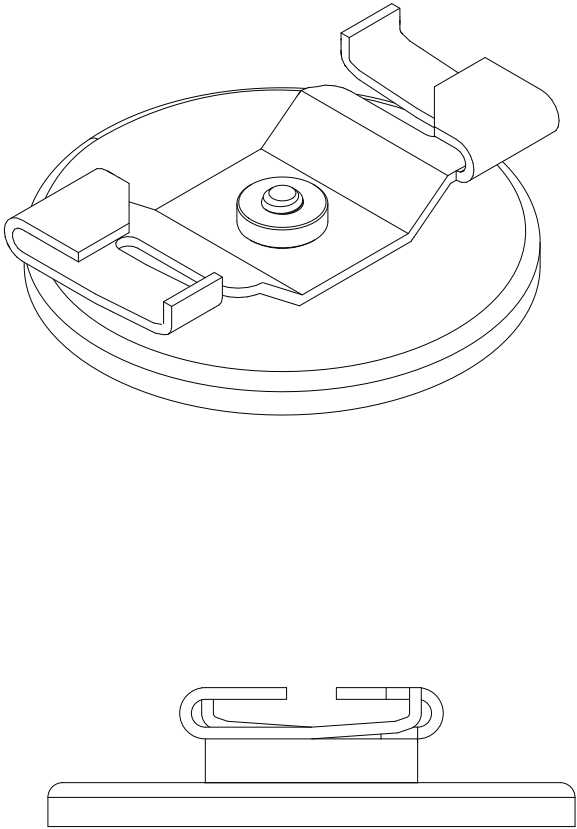
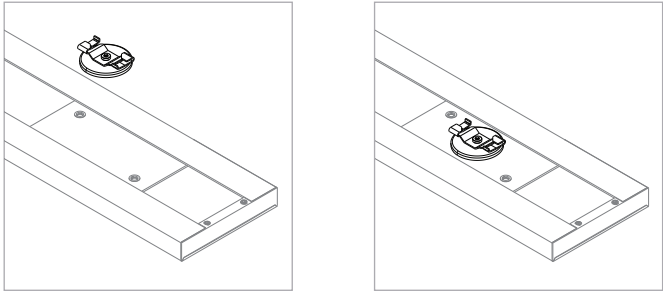


T1, 9/16" T-Bar Clip, Low Profile

For use with Nexa | 807

Mounts Nexa | 807 rail to most 9/16" suspended ceiling grid systems. Compatible with flat and tegular panels less than 1/4" deep. Rails are provided with 2 clips per 24" - 60" fixtures and 3 clips per 72" - 96" fixture.

Technical Support: 707-996-9898



PART NUMBER CS-807-NX-T-T1

DESCRIPTION Clip, Nexa, for use w/ Armstrong Suprafine (9/16") Suspension System and Tegular Tiles with less than 1/4" drop

COMPATIBILITY Armstrong[®]: Suprafine 9/16"

USG Donn[®]: Centricitee