

Spec Guide

VodeNODE

Where does the driver go? With VodeNODE, the answer is wherever you want.



Benefits & Features

Neat & Organized

3 housing sizes to accommodate up to 8 drivers and 600W of total output. You have the power to handle any job size.

Clean & Simple Installation

Ceiling, wall, strut, drywall, and custom mounting capabilities. You can use VodeNODE practically anywhere.

Optimized Remote Power

VodeNODE may be located up to 100' (30.48m) away from fixtures. A wide variety of power types are available to optimize your energy use.

Endless possibilities

Custom configurations are available to accommodate your power management needs. It's simply the Vode way.



Listed to UL standards for damp location by a Nationally Recognized Testing Laboratory (NRTL) recognized by OSHA.

Build Your Specification

▶▶

System	Size	Mounting	Finish
NODE	A Small- 8" (203mm) x 22" (559mm), up to 3 drivers B Medium- 14" (375mm) x 22" (559mm), up to 4 drivers C Large- 22" (559mm) x 22" (559mm), up to 8 drivers	S Surface R Recessed	WH White Powder Coat ZZ Other (specify requirements)

Options	Power
0 None	DS Driver Selection (specify sequence)
CP Chicago Plenum	PL Power Location (specify name)
ZZ Other (specify requirements)	ZZ Other (specify requirements)
	X Not yet specified

NOTES & LIMITATIONS

VodeNODE enclosure is not available with Hi-lume 1% Ecosystem (AH2) Power Type.

Standard 5 Year Limited Warranty. See details [here](#). Contact factory for options on Limited Warranties up to 20 years.

Introduction

VodeNODE - Neatly Organized Driver Enclosure

This guide provides technical information on how to specify VodeNODE. Details about Vode's drivers, power requirements, dimming protocols, and LED type are included to help design and organize power for one or multiple lighting systems. VodeNODE has been designed to power Vode Lighting systems, drivers are selected and programmed based on the system's specifications.

Why VodeNODE?

VodeNODE was developed to deliver convenience and efficiency to the customer with more control over their power organization. It achieves this by centralizing drivers to reduce install cost, time, complexity and long term maintenance of large scale remote power lighting systems.

Variability and Customization

VodeNODE is available with all standard Vode power types including: 0-10V (AE & AT), DALI (AD), DMX (AX) and Lutron (AH). Flexible one to one power and optimized power are both available.

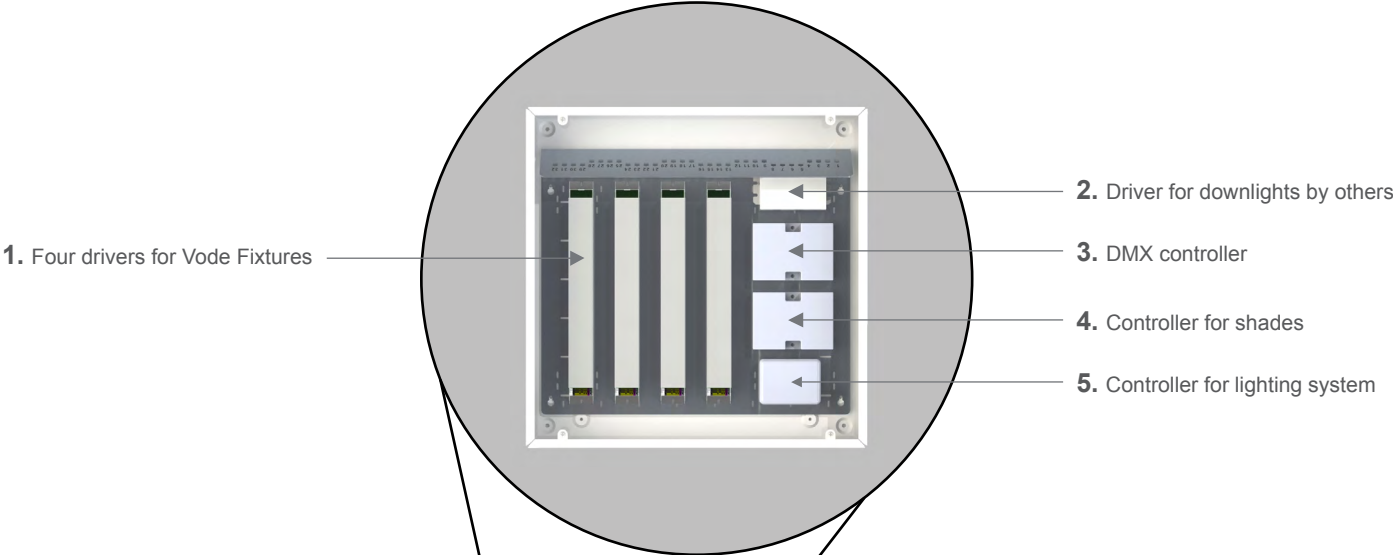
Contractor Friendly

Installation complexity and electrical layout are greatly simplified using VodeNODE. Centrally locating power using VodeNODE can reduce engineering and installation costs. Multiple mounting possibilities allow flexibility for engineers and designers. VodeNODE can be located up to 100' (30.5 m) away from the fixtures.



Custom Configurations

VodeNODE can be customizable and hold more than just power. Please contact factory for custom configurations. Note custom configurations may no longer be UL listed.



Hotel Corridor Application with VodeNODE recessed in ceiling

Applications

Library, Retail, and Open Office



Strut mounted above ACT



Library



Surface mounted to wall



Retail



Surface mounted on ceiling



Open Office

Applications

Hospitality, Commercial, and Education



Recessed in ceiling



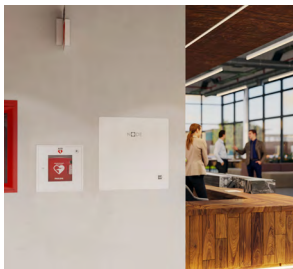
Hotel Corridor



Recessed in ceiling



Atrium



Recessed in wall



Education

Mounting Applications

Recessed, Stud Mounted, Surface Mounted



Recessed in wall with cover



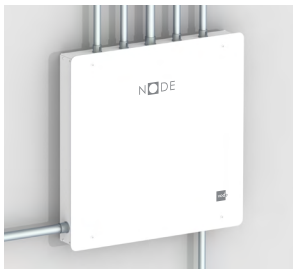
Large VodeNODE recessed in wall without cover



Stud mounted with cover



Large VodeNODE stud mounted without cover



Surface mounted with cover



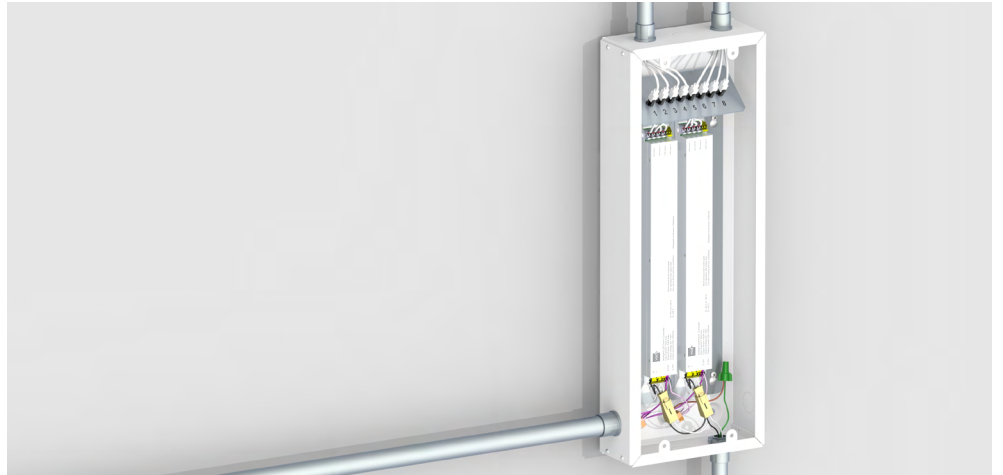
Large VodeNODE surface mounted without cover

Mounting Applications

Surface Mounted and Strut Mounted



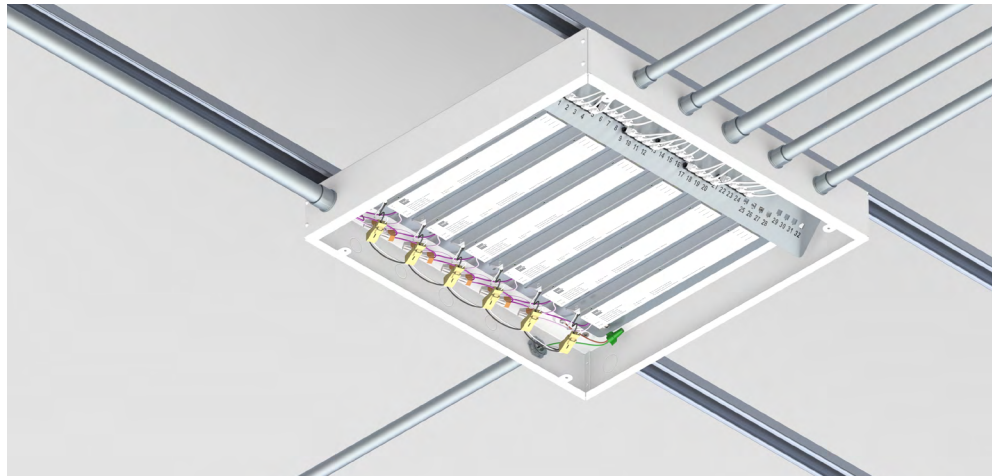
Surface mounted with cover



Small VodeNODE surface mounted without cover



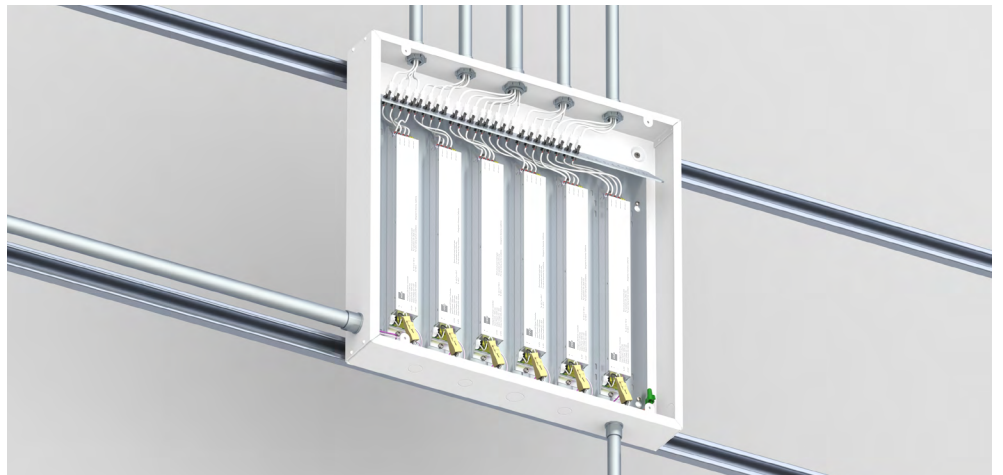
Horizontal strut mounted with cover



Horizontal large VodeNODE strut mounted without cover



Vertical strut mounted with cover



Vertical large VodeNODE strut mounted without cover

Mechanical

Part Number	VN3-PT-PPA, VN4-PT-PPA, VN8-PT-PPA
Product Description	VodeNODE, Power Housing, up to 3 (50W) drivers, aluminum, powder white
	VodeNODE, Power Housing, up to 4 (50W) drivers, aluminum, powder white
	VodeNODE, Power Housing, up to 8 (50W) drivers, aluminum, powder white
Mounting	Surface & recessed
Knockouts	(8) 1/2" and (4) 3/4"
Weight	Small VodeNODE 9.4lbs (assumes 3 drivers), Medium VodeNODE 15.0 lbs (assumes 4 drivers), Large VodeNODE 25.3 lbs (assumes 8 drivers). Weight can vary based on exact specifications.
Dimensions	8" (203mm) x 22" (559mm) Small VodeNode (can hold 2-3 50W drivers, or up to 2 100W drivers)
	14" (375mm) x 22" (559mm) Medium VodeNode (can hold 4 50W drivers, or up to 3 100W drivers)
	22" (559mm) x 22" (559mm) Large VodeNode (can hold 5-8 50W drivers, or 4-6 100W drivers)
Material	Housing: Aluminum
Finish	Satin white powder coat, RAL 9003

Input Characteristics

Input Power	120V - 277V, 50/60hz
Nominal Input Voltage Range AC	120V - 277V
Maximum Input Current	350 - 1050 mA

Output Characteristics

Maximum Output Power	Small (200W), Medium (300W), Large (600W)
Number of Outputs	Small up to 8, Medium up to 12, Large up to 24
LED Output Current Range	150 - 1400 mA
LED Output Voltage	< 60V
Remote Distance	Dependent on driver type, up to 100' (30.5 m)

Controls

Power Type	Dimming (0.1%, 1%), 0-10V, DALI, DMX, Lutron Hi-lume 1% are available.
------------	--

Environmental Conditions

Max Elevated Ambient Rating	30° C (86° F) above ambient temperature
-----------------------------	---

Wiring Specifications

Wire Type	18/2 AWG
Connector	Low Voltage Power Cable Ø4mm, 18/2 AWG, Plenum (CMP) rated FEP, flame tested UL-910 (PVC free)
	Cable Connectors Unfilled black nylon, rated UL 94 V-0, halogen free, FEP overmold, RoHS compliant (PVC free)

Standards and Compliance

Listing	UL2108 Low Voltage Power Unit
---------	-------------------------------

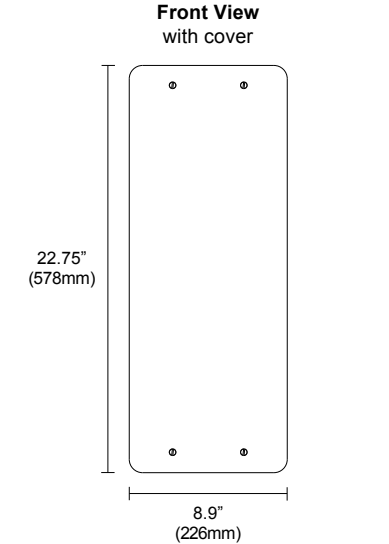
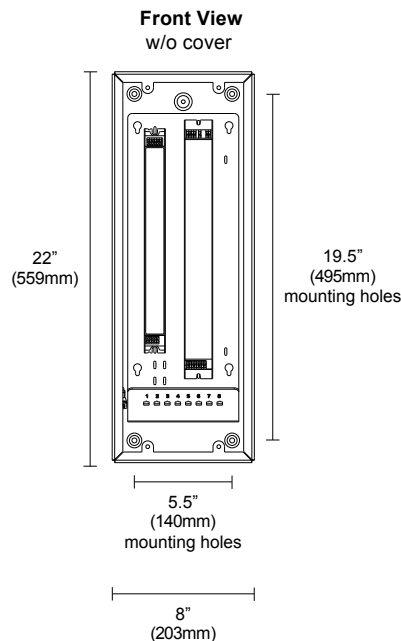
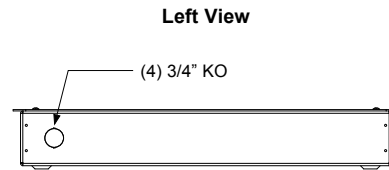
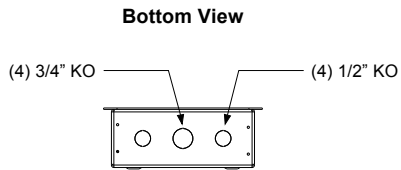
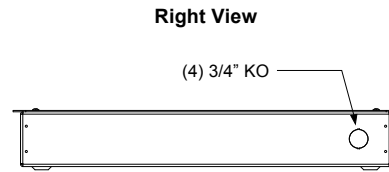
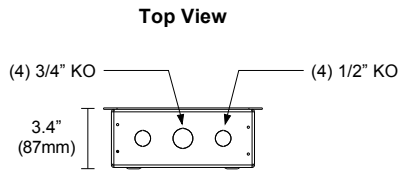
Certifications

UL Listed (E521452), optionally rated for Chicago Plenum (CCEA)

A | Small VodeNODE



Power Ranking	200W Max, 2-3 drivers
Power Type	0-10V (AE & AT), DALI (AD), DMX (AX) Lutron Hi-lume 1% EcoSystem (AH) linear driver form factor
Mounting	Surface, Recessed
Input	120V - 277V
Outputs	2 - 8
Max Remote Distance	100' (30.5 m)
Material	White powder coated aluminium
Weight	Small VodeNODE 9.4lbs (assumes 3 drivers)
Dimensions	8" (203mm) x 22" (559mm) Small VodeNODE (can hold 2-3 50W drivers, or up to 2 100W drivers)
Knockouts	(4) 1/2" and (4) 3/4"

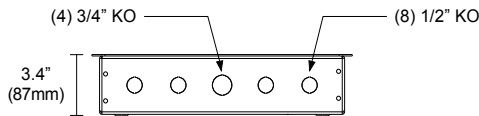


B | Medium VodeNODE

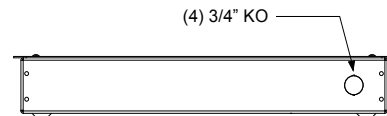


Power Ranking	300W Max, 2-4 drivers
Power Type	0-10V (AE & AT), DALI (AD), DMX (AX) Lutron Hi-lume 1% EcoSystem (AH) linear driver form factor
Mounting	Surface, Recessed
Input	120V - 277V
Outputs	4 - 16
Max Remote Distance	100' (30.5 m)
Material	White powder coated aluminium
Weight	Medium VodeNODE 15.0 lbs (assumes 4 drivers)
Dimensions	14" (375mm) x 22" (559mm) Medium VodeNODE (can hold 4 50W drivers, or up to 3 100W drivers)
Knockouts	(8) 1/2" and (4) 3/4"

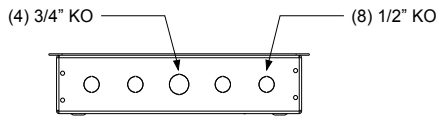
Top View



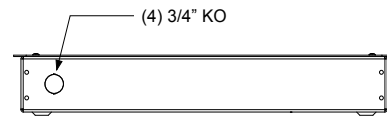
Right View



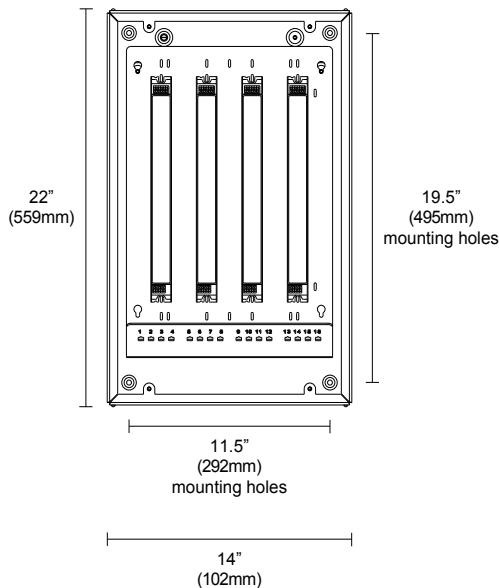
Bottom View



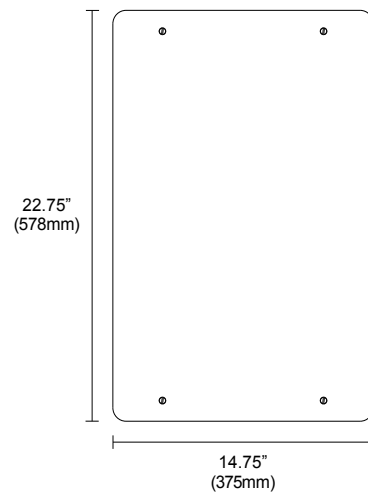
Left View



Front View
w/o cover



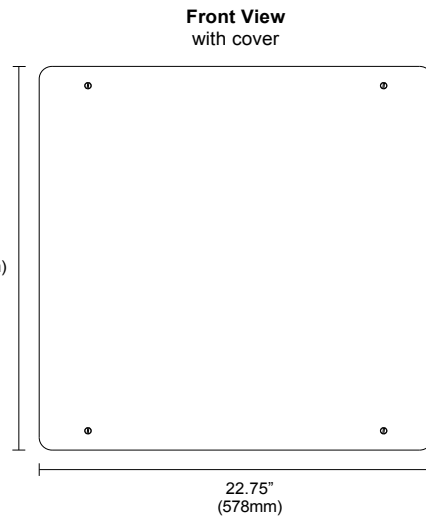
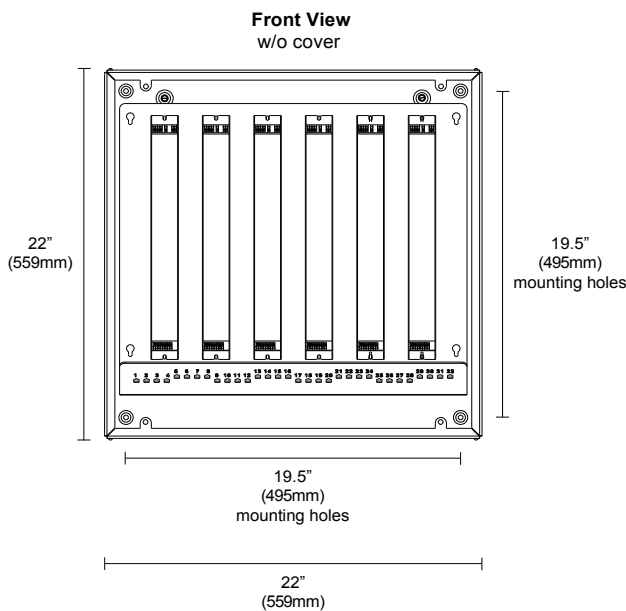
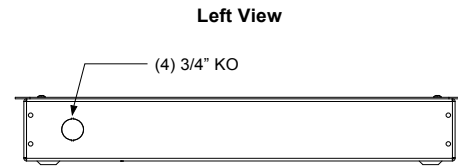
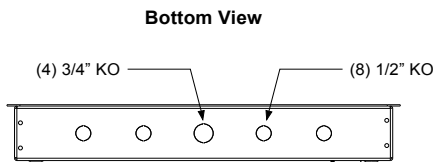
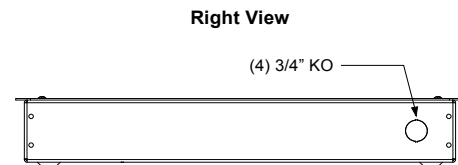
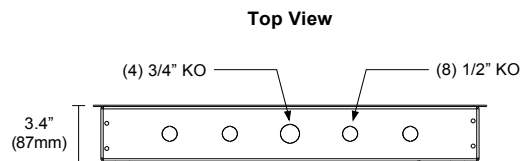
Front View
with cover



C | Large VodeNODE



Power Ranking	600W Max, 5-8 drivers
Power Type	0-10V (AE & AT), DALI (AD), DMX (AX) Lutron Hi-lume 1% EcoSystem (AH) linear driver form factor
Mounting	Surface, Recessed
Input	120V - 277V
Outputs	5 - 24
Max Remote Distance	100' (30.5 m)
Material	White powder coated aluminium
Weight	Large VodeNODE 25.3 lbs (assumes 8 drivers)
Dimensions	22" (559mm) x 22" (559mm) Large VodeNODE (can hold 5-8 50W drivers, or 4-6 100W drivers)
Knockouts	(8) 1/2" and (4) 3/4"



Power Types

AE | eldoLED 0-10v, 1.0% Dimming

ECOdrive Model: 366/L, 566/L, 1066/M

SOLOdrive Model: 30U-M2Z0A, 561/L, 75L-M2A0A

Magnitude Model: AFLEX-100W-1400-L-LF

OSRAM Model: 57420

AT | eldoLED 0-10v, 0.1% Dimming

ECOdrive Model: 366/L, 366/L, 1066/M

SOLOdrive Model: 30U-M2Z0A, 561/L, 1061/M, 75L-M2A0A

Magnitude Model: AFLEX-100W-1400-L-LF, AFLEX-100W-1850-L-LC

AD | eldoLED DALI, 0.1% Dimming

DMX | eldoLED POWERdrive Model: 50U-M4Z0X, 106/M

AX | eldoLED DMX, 100-0% Dimming

POWERdrive Model: 561/M, 06/M

AH | Lutron, Hi-lume 1%, Ecosystem LDE

Lutron Model: LDE1
