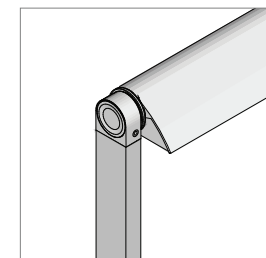
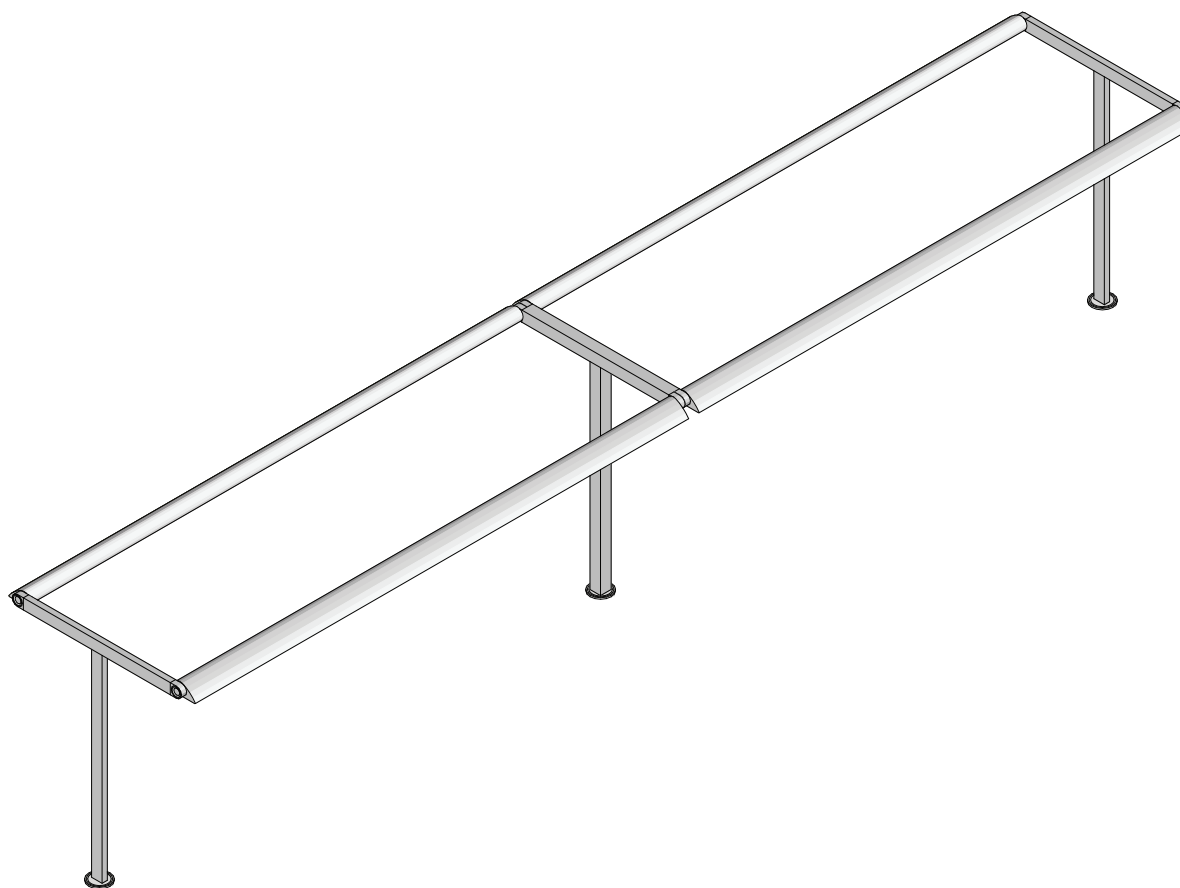


## Table Arm with Tee | 107 | BoxRail®, RaceRail®, WingRail® | Remote Power | Arm Anchor

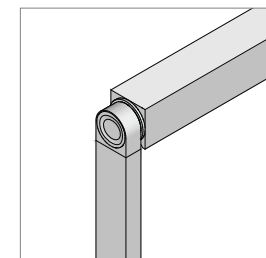
Please read instructions in their entirety before proceeding with any part of the installation. This product must be installed in accordance with the applicable installation code by a person familiar with the construction and operation of the product and the hazards involved. Consult a qualified electrician to ensure correct branch circuit rating. To prevent electric shock, disconnect all power before installing or servicing product. Rated for use in dry and damp locations only. Retain instructions for future reference.

Technical Support: 707.996.9898 or [technicalsupport@vode.com](mailto:technicalsupport@vode.com)

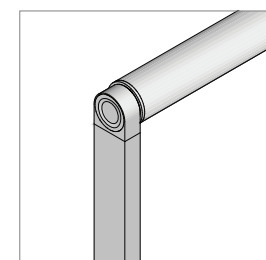
### Installed View



WingRail



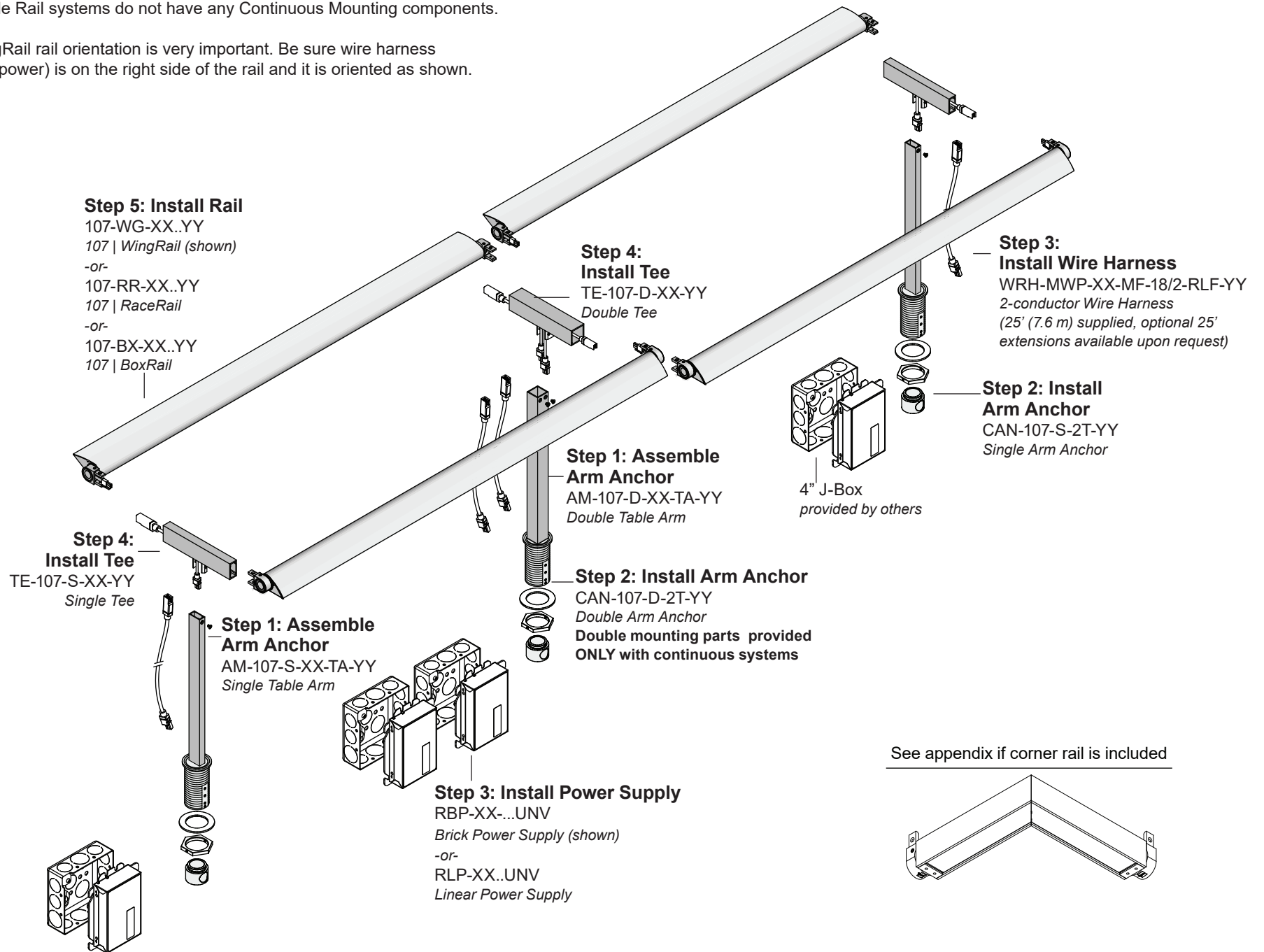
BoxRail



RaceRail

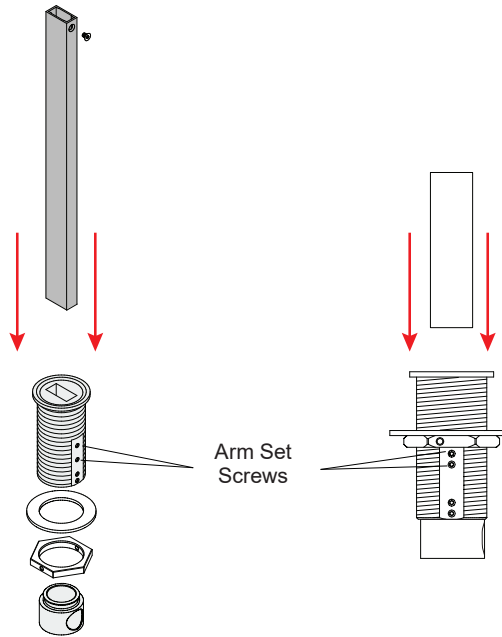
**NOTE:** Single Rail systems do not have any Continuous Mounting components.

**NOTE:** WingRail rail orientation is very important. Be sure wire harness connection (power) is on the right side of the rail and it is oriented as shown.



**Step 1: Assemble Arm Anchor**

Install the mounting arm to the arm anchor and secure in place using the installed set screws indicated.

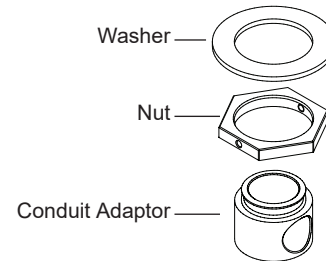
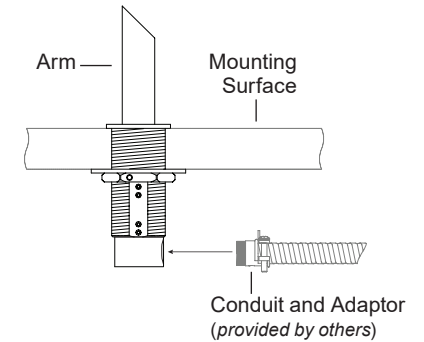
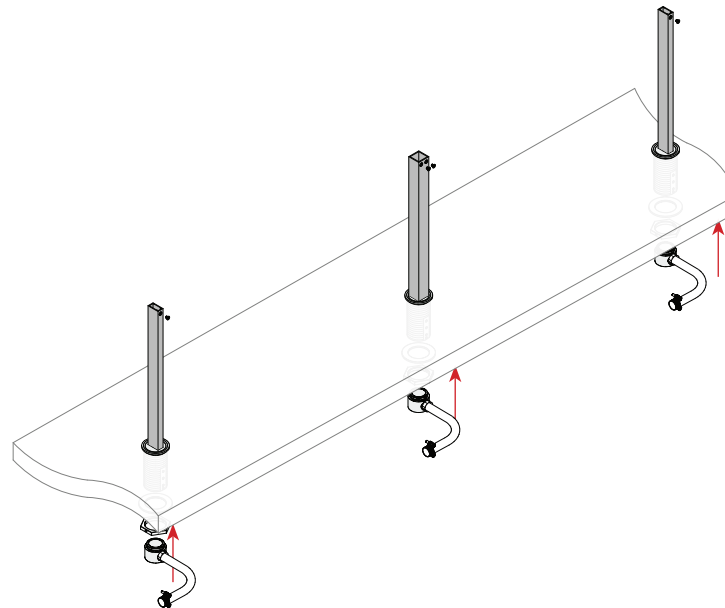


**Step 2: Install Arm Anchor**

Determine layout using center-to-center dimensions (see page 6). Arm Anchor is designed to install into stable surfaces between 1/8" and 2 1/4" thick. For all Arm Anchor locations drill 1-11/16" hole and slide arm anchor into hole, secure with washer and nut. Each arm anchor is provided with 1/2" -14 NPSM female conduit thread.

**NOTE:** Vode low voltage wire harness is plenum rated. Install conduit to power supply housing as needed, per local building code.

If on/off anchor is specified, install during this step by following instructions on page 7.



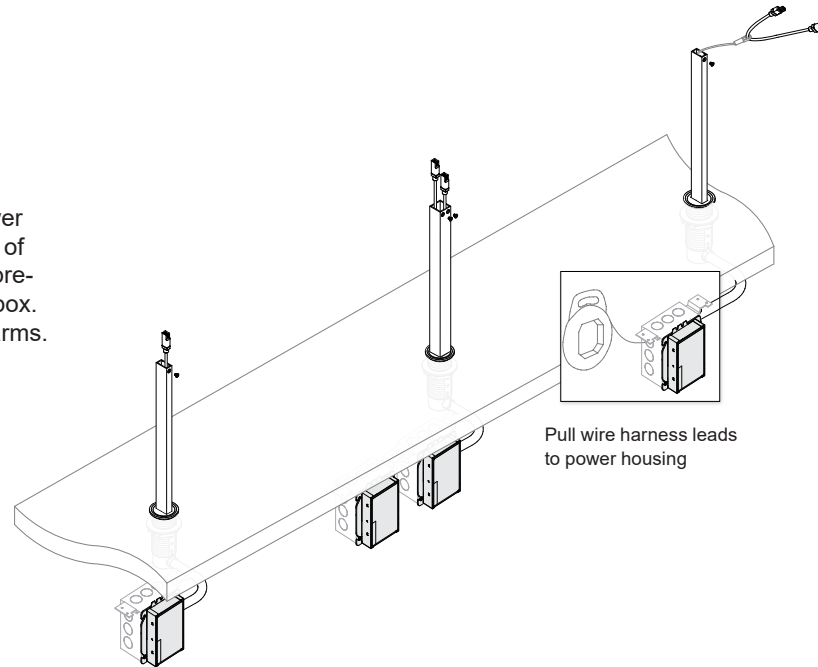
**Step 3: Install Wire Harness**

**IMPORTANT!** If system will be supplied with a brick driver, separate j-boxes will be not be provided.

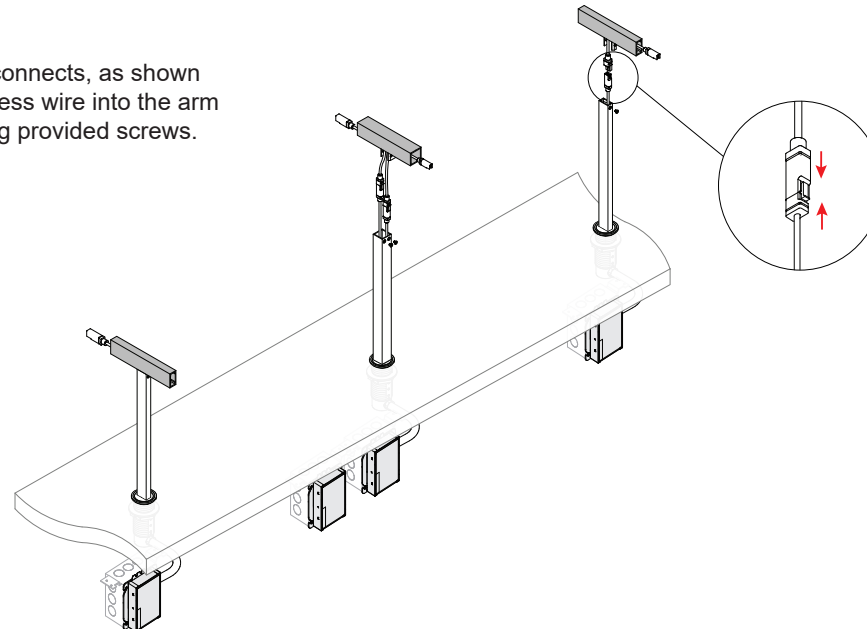
Refer to appendix for installation of remote power housing.

Feed low voltage wire harness through arm into remote power housing. Power should always be brought into the right side of the fixture. Connect supplied plenum rated wire harness to pre-installed wire harness on remote power supply and run to j-box. Leave approximately 1" of wire harness hanging out of the arms.

**DO NOT POWER ON**

**Step 4: Install Tee**

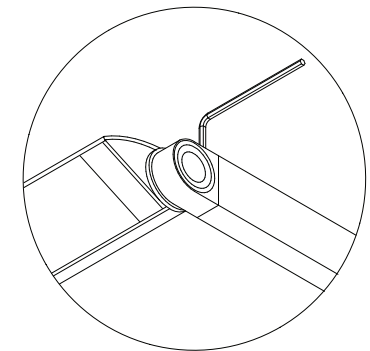
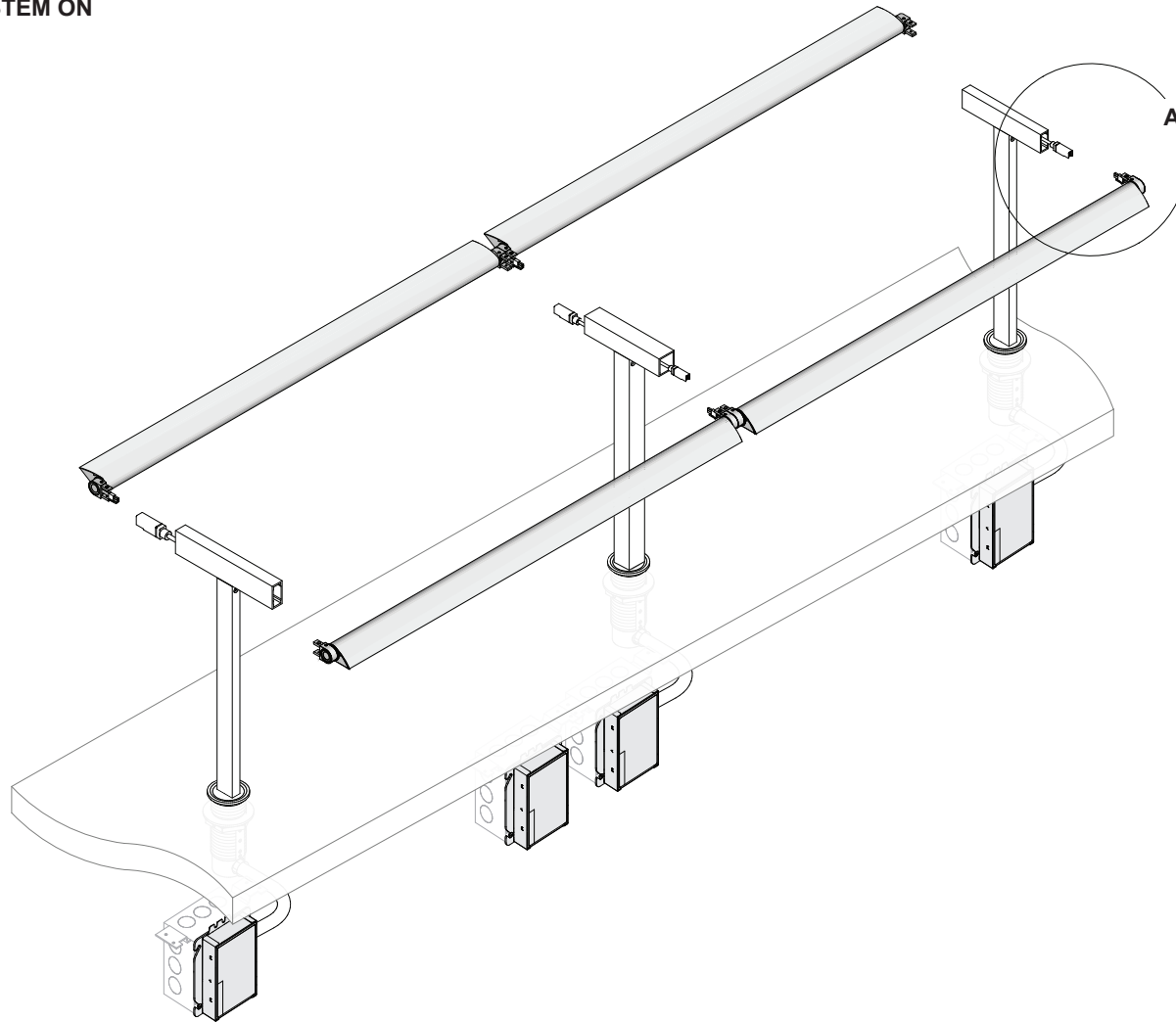
Connect wire harness to jumper in the tees using quick connects, as shown below. Be sure connectors are firmly fastened. Push excess wire into the arm and insert tee into the arm. Secure tees to the arms using provided screws.



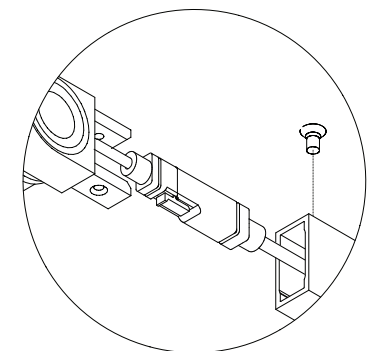
**Step 5: Install Rail**

**NOTE:** If included, install corner rail piece before rails.

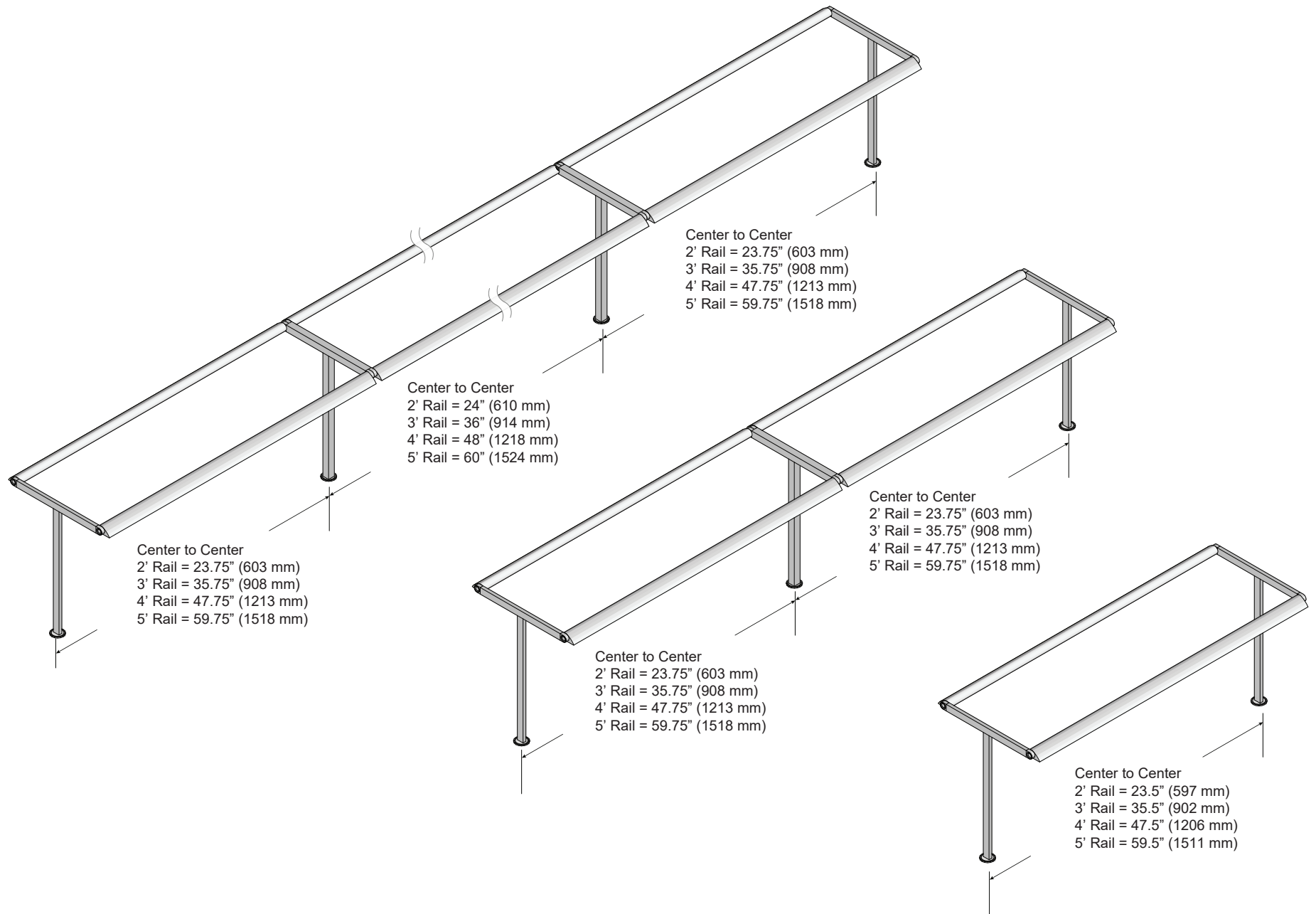
Connect rail wire harness to power harness using quick connects, as shown below. Be sure connectors are firmly fastened. Push excess wire into the arm(s), insert rail hub into the arm and secure in place using provided screws. Before securing rail, check that both hubs are aligned and rotates easily. **DO NOT FORCE.**

**POWER SYSTEM ON**

Rotate rail and secure in place.



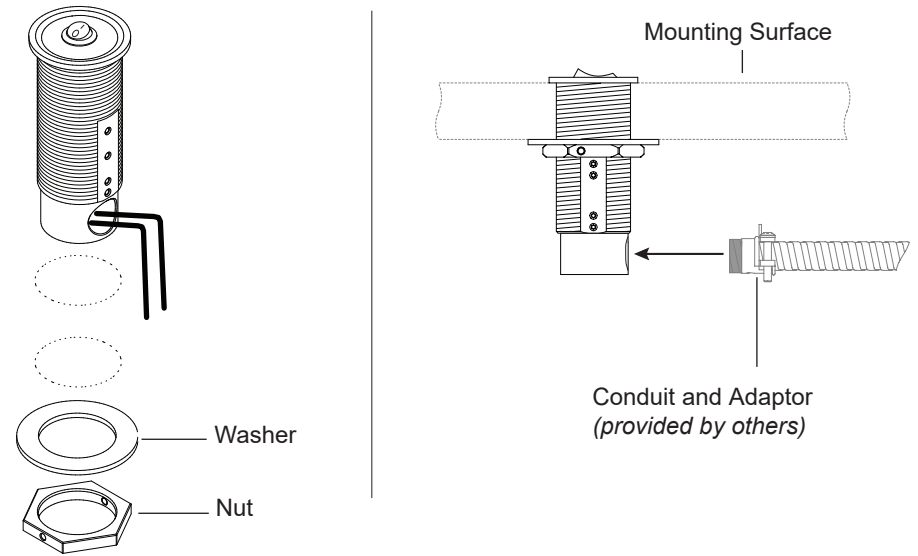
Detail A



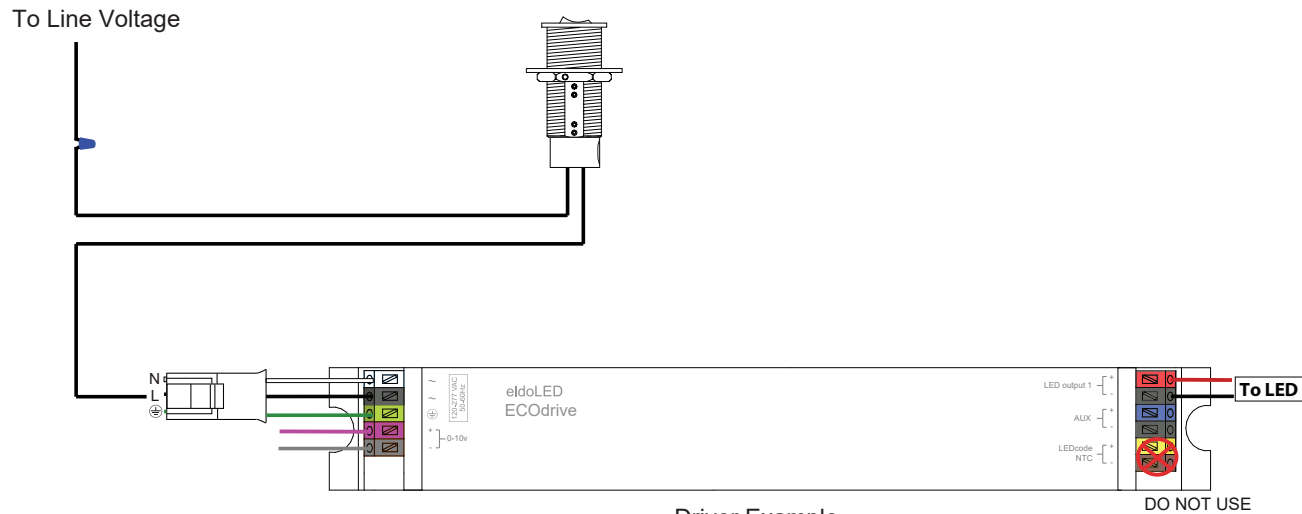
### Installing On/Off Switch Arm Anchor *(optional)*

Drill 1-11/16" hole. Secure On/Off Switch Arm Anchor to surface using washer and nut provided. Anchor is supplied with 1/2" -14 NPSM female thread. Conduit and conduit adaptors are provided by others.

**IMPORTANT!** Before installing on/off switch, turn off power at fuse box. On/off switch has 2 black wires attached. Connect 1 wire to the driver and one to the line voltage. The provided wires are 46" long.



### Wiring Guide

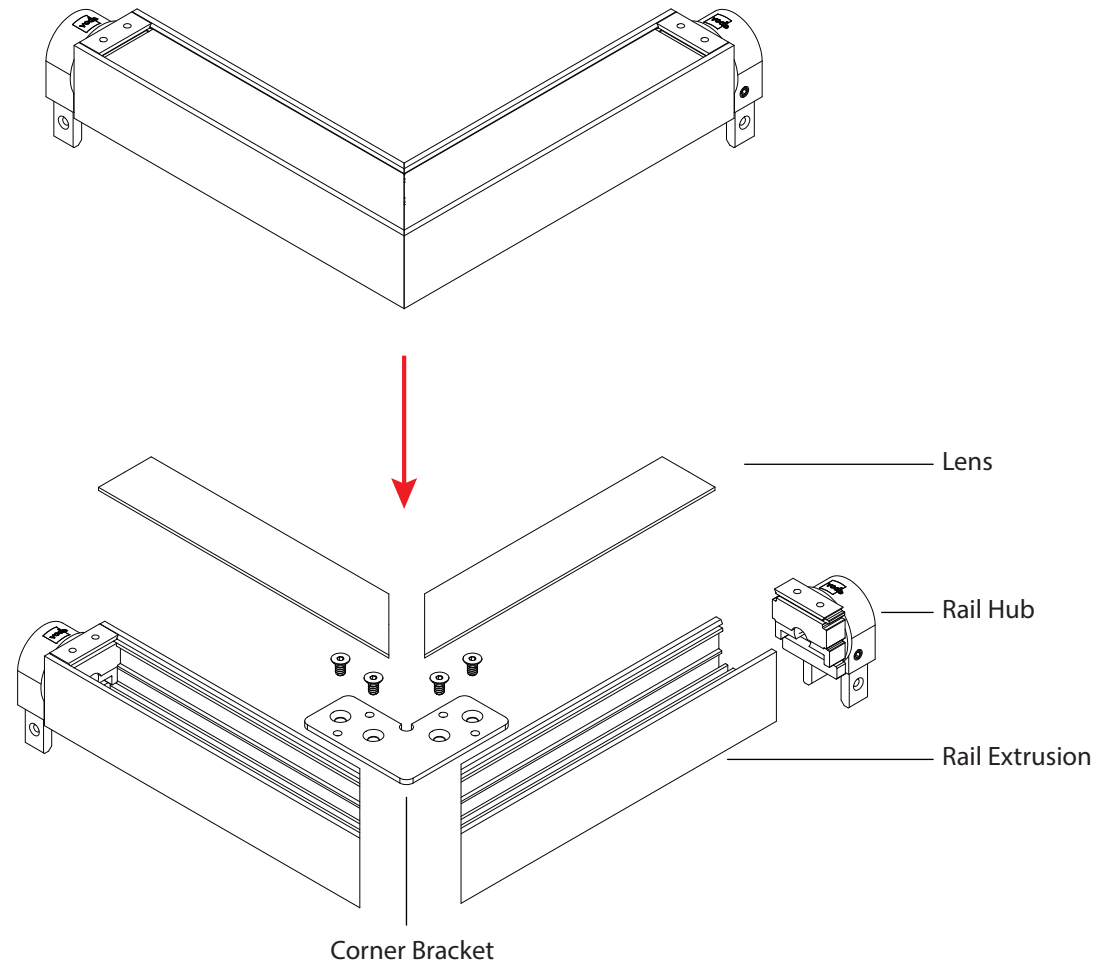


Driver Example  
(see *Vode Power Guide* for exact driver)

## Install Corner Rail

Install corner rail, following rail installation instructions, when directed.

If need be, corner rail can be disassembled and cut to size on site. Carefully remove one hub, using hex key to loosen, then lens. Using hex key, remove corner bracket to release extrusion. Cut one or both rail extrusion sides, being sure to sand cut edge smooth to ensure rail can be assembled properly.





## Install Remote Brick Power Supply

**IMPORTANT!** Before any installing power supply, turn off electricity at circuit box.

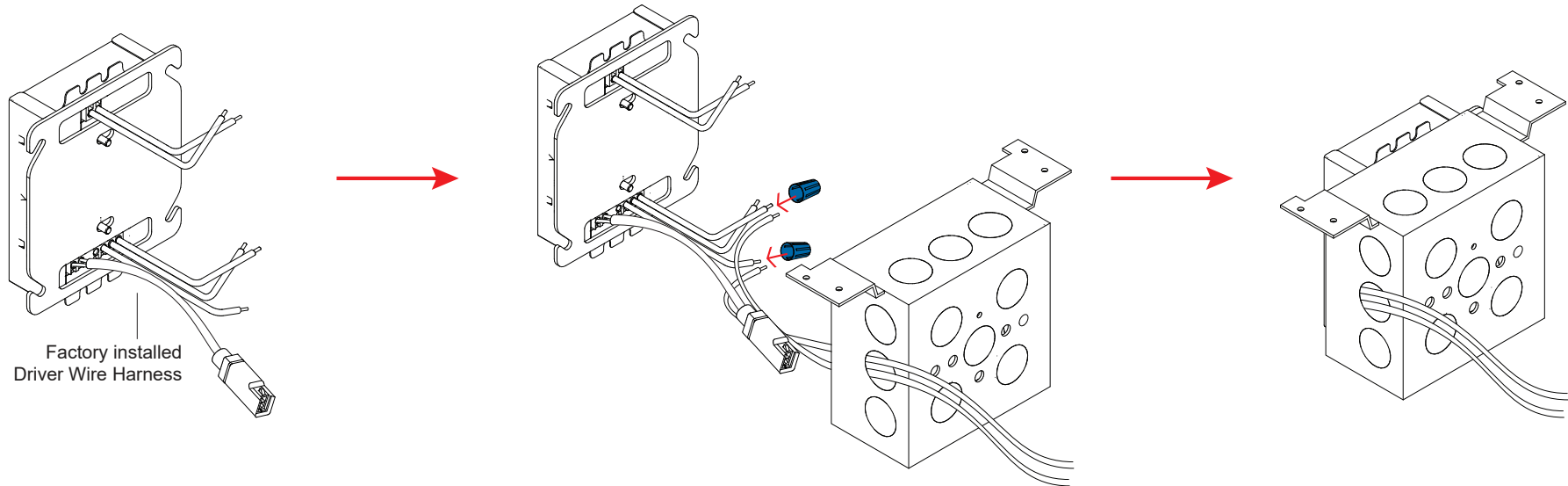
**NOTE:** Vode Brick style driver mounting plate is designed to mount only to 4" Square metal j-boxes with a minimum volume of 21 cu. in. Mounting plate contains important installation labeling, please consult to ensure correct driver is installed with correct corresponding rail.

Install j-box (*provided by others*) to desired surface using screws (*provided by others*). Run line, ground and neutral wiring and any applicable dimming controls into j-box through knockout and secure in place, using conduit as necessary per local coding. Use wire nuts (*provided by others*) to make a secure connection between all wiring. (*The provided wire leads are 18 AWG solid core*).

**DO NOT** power on system until instructed.

For remote power supply maximum distance or wiring questions, please consult **Vode Remote Power Guide**.

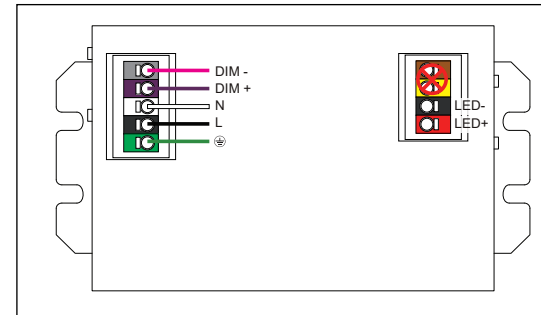
**NOTE:** If power housing is supplied pre-wired with cord and plug and wire harness installed, skip above steps and power system when instructed by plugging system into a standard outlet.



## Max Remote Driver Distance

Driver	Remote Distance
eldoLED	100' (30.5 m)
Lutron	<b>See Vode Power Guide</b>

For other wiring questions and driver specific information, see **Vode Remote Power Guide**.



**Example Only**

See **Vode Remote Power Guide** for wiring detail.

## Install Remote Linear Power Supply

**IMPORTANT!** Before installing any power supply, turn off electricity at circuit box.

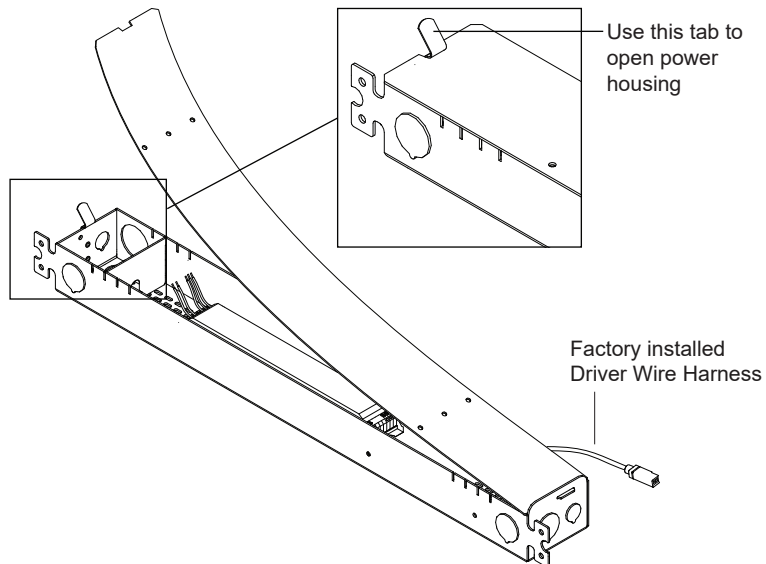
Vode recommends keeping track of which lids comes with which housing, as the lid contains important installation labeling.

Using the indicated tab, remove power housing lid to access mounting points. Install power supply housing to desired surface using screws (*provided by others*). Run line, ground and neutral wiring and any applicable dimming controls into power housing through any provided knockout and secure in place, using conduit as necessary per local coding. Use wire nuts (*provided by others*) to make a secure connection between all wiring. (*The provided wire leads are 18 AWG solid core*).

**DO NOT** power on system until instructed.

For remote power supply maximum distance or other wiring questions, please consult Vode Power Guide.

**NOTE:** If power housing is supplied pre-wired with cord and plug and wire harness installed, skip above steps and power system when instructed by plugging system into a standard outlet.

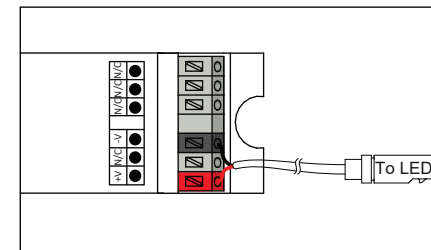


## Remote Driver Distance

All Vode linear remote drivers come in a 0.054" (1.4 mm) formed galvanized steel power supply housing with five (5) knockouts: (4) 1-1/8", (1) 7/8" and (1) 9/16". Power supply housing dimensions: 2 3/8" (56 mm) x 1 5/8" (33 mm) x 20 1/16" (525 mm)

Driver	Remote Distance
eldoLED	100' (30.5 m)
OSRAM	100' (30.5 m)
Magnitude	100' (30.5 m)
Lutron	<b>See Power Guide</b>

For other wiring questions and driver specific information, see **Vode Remote Power Guide**.



**Example Only**  
See Vode Remote Power Guide for wiring detail.

## Trouble Shooting Guide

### My fixture will not turn on:

---

Check all wiring is correct and all connections are fastened properly.

If all wiring is correct, remove fixture and connect it to a known working driver.

If the fixture lights up, then the problem is with the installed driver or wiring:

- 1) Check line voltage to driver is present.
- 2) Check driver wiring (see **Vode Power Guide for details**) and check wiring to fixture.
- 3) Check driver and dimming system are compatible (see **Vode Power Guide and the dimmer manufacturer's website**).

If fixture still doesn't light up, check that all dimming wires are installed correctly. Reversed polarity on any driver will cause the entire system to not work, (see **Vode Power Guide for wiring details**).

### The fixture is not dimming properly:

---

Check all wiring is correct and all connections are fastened properly.

Check driver wiring (see **Vode Power Guide for details**). Make sure driver is compatible with dimming controls (see **Vode Power Guide and the dimmer manufacturer's website**).

### Rail is not rotating:

---

**DO NOT FORCE RAIL!** When properly installed, rails will turn easily.

Check that both hub set screws are loose. If rail will still not turn, uninstall rail from arms, paying attention to the wire harness connection. Check that both hubs and arm tabs are rotated in the same direction.

---

**For any help with installation or technical information, contact Vode Tech Service at 707-996-9898.**

## Important Notes

---

- Listed to UL standards for damp location by a Nationally Recognized Testing Laboratory (NRTL) recognized by OSHA
- Power Type: Class 2 (<60v) constant current driver.
- Dimming curve is factory preset to linear. Logarithmic is available upon request. See Vode Driver Guide for specific details and wiring diagram.
- Unless specified, one driver per rail will be supplied.
- 5 Year Limited Warranty. All material and component parts manufactured by Vode are guaranteed to be free from defects of material and/or workmanship for a period of 5 years from date of sale. Product must be installed according to Vode installation instructions and accepted trade practices. Power supplies and other auxiliary equipment are not covered under Vode warranty but may be covered by separate OEM warranty.