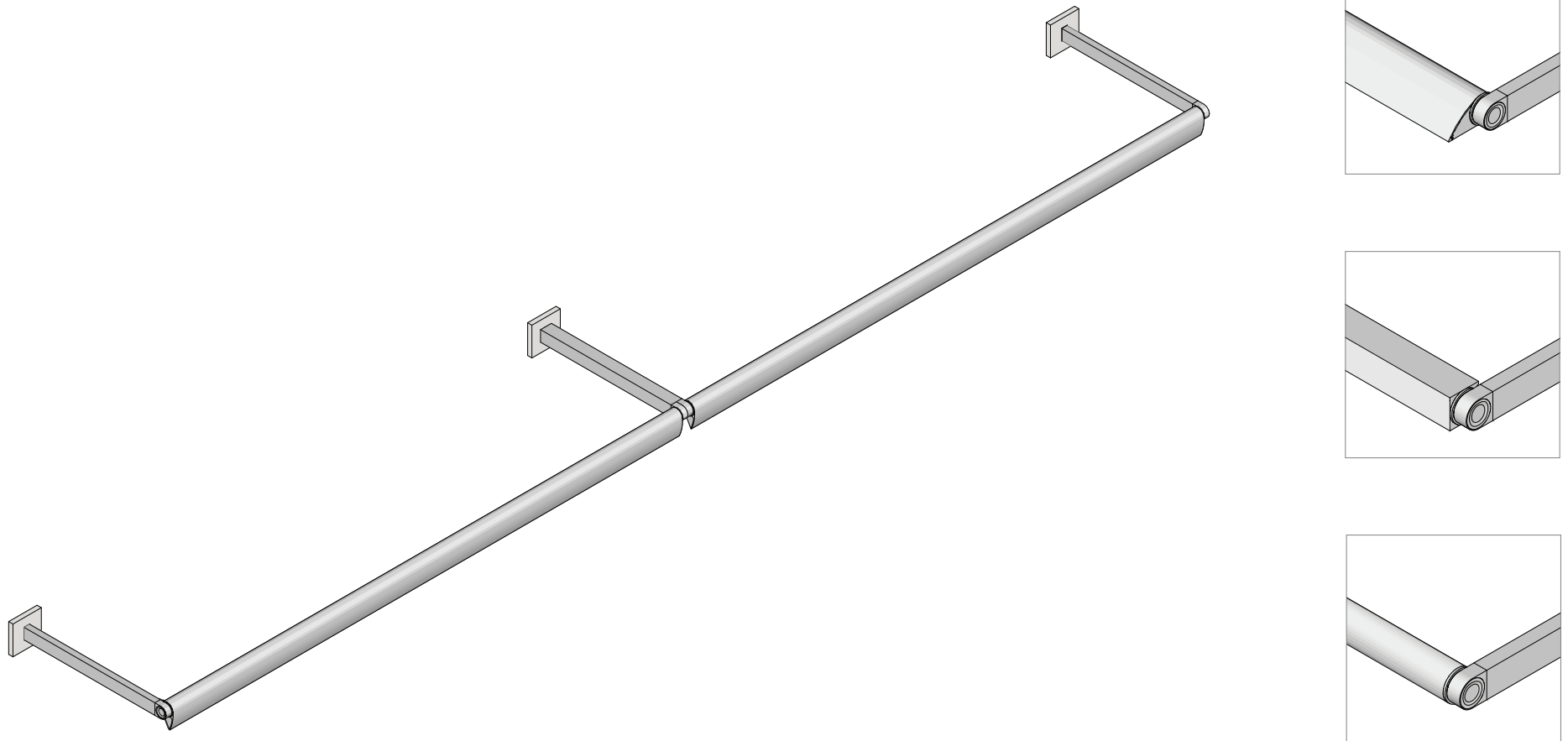


Ceiling-Wall Arm | 107 | BoxRail[®], RaceRail[®], WingRail[®] | Remote Power | **Small Canopy**

Please read instructions in their entirety before proceeding with any part of the installation. This product must be installed in accordance with the applicable installation code by a person familiar with the construction and operation of the product and the hazards involved. Consult a qualified electrician to ensure correct branch circuit rating. To prevent electric shock, disconnect all power before installing or servicing product. Rated for use in dry and damp locations only. Retain instructions for future reference.

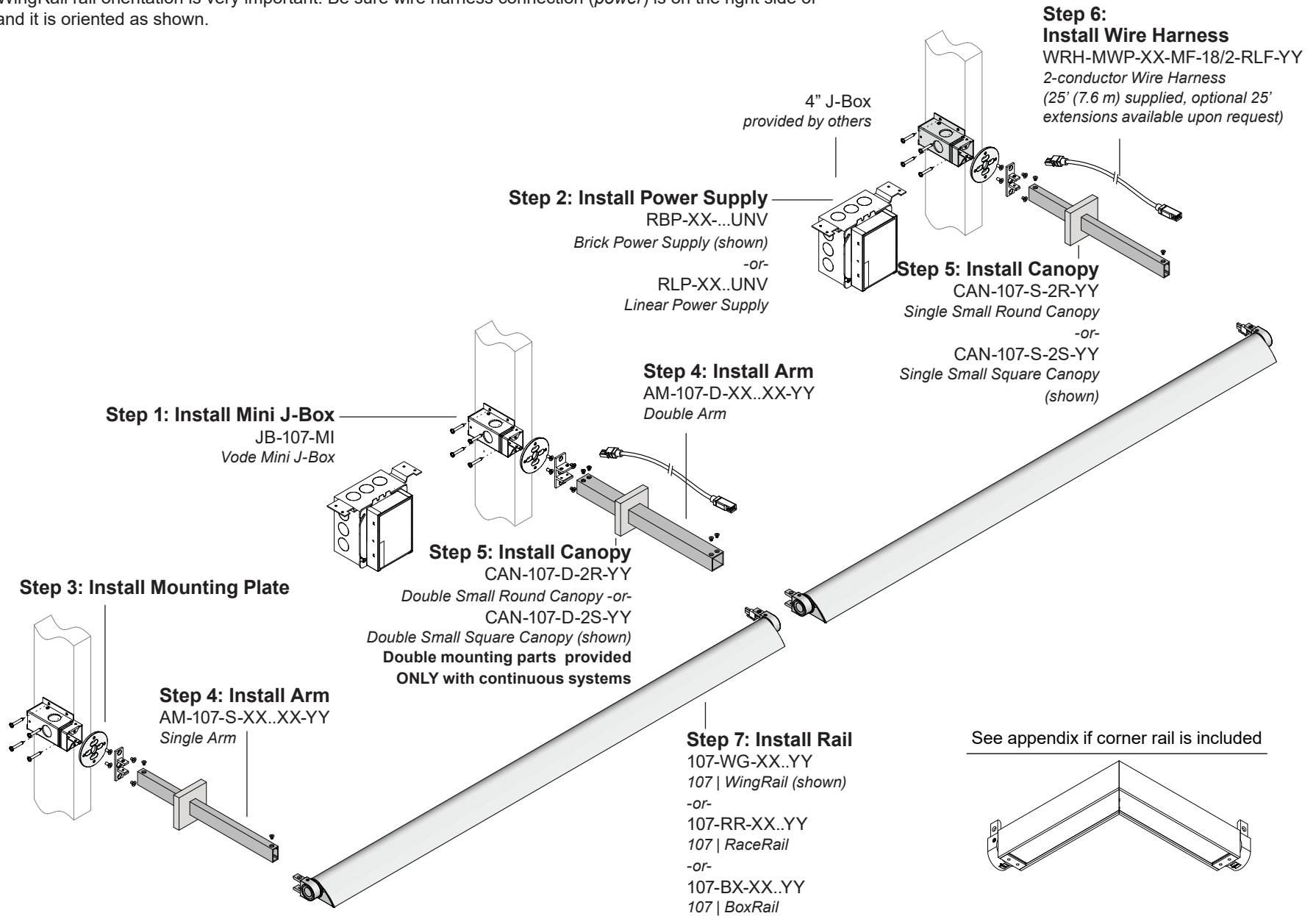
Technical Support: 707.996.9898 or technicalsupport@vode.com

Installed View



NOTE: Single Rail systems do not have any Continuous Mounting components.

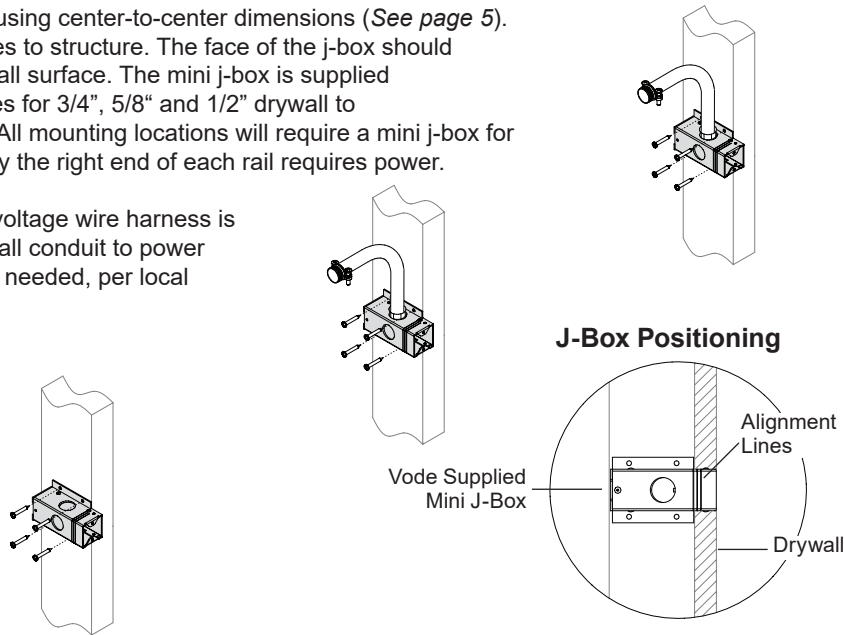
NOTE: WingRail rail orientation is very important. Be sure wire harness connection (*power*) is on the right side of the rail and it is oriented as shown.



Step 1: Install J-Box

Determine layout using center-to-center dimensions (See page 5). Secure mini j-boxes to structure. The face of the j-box should be flush with drywall surface. The mini j-box is supplied with alignment lines for 3/4", 5/8" and 1/2" drywall to aid in installation. All mounting locations will require a mini j-box for installation but only the right end of each rail requires power.

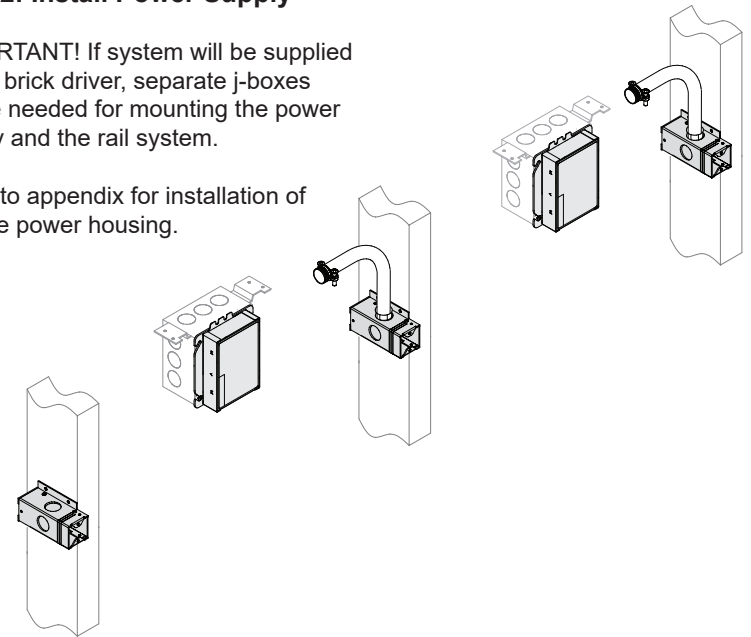
NOTE: Vode low voltage wire harness is plenum rated. Install conduit to power supply housing as needed, per local building code.



Step 2: Install Power Supply

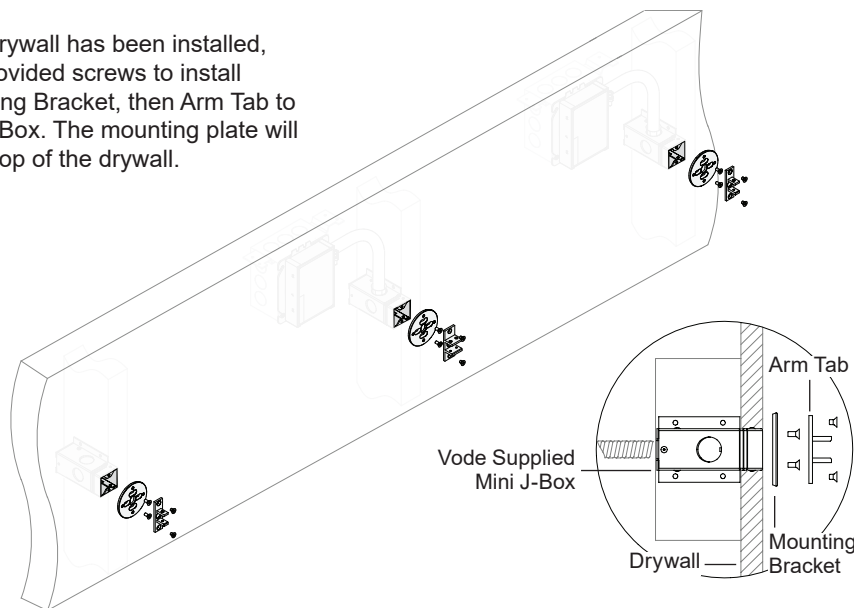
IMPORTANT! If system will be supplied with a brick driver, separate j-boxes will be needed for mounting the power supply and the rail system.

Refer to appendix for installation of remote power housing.



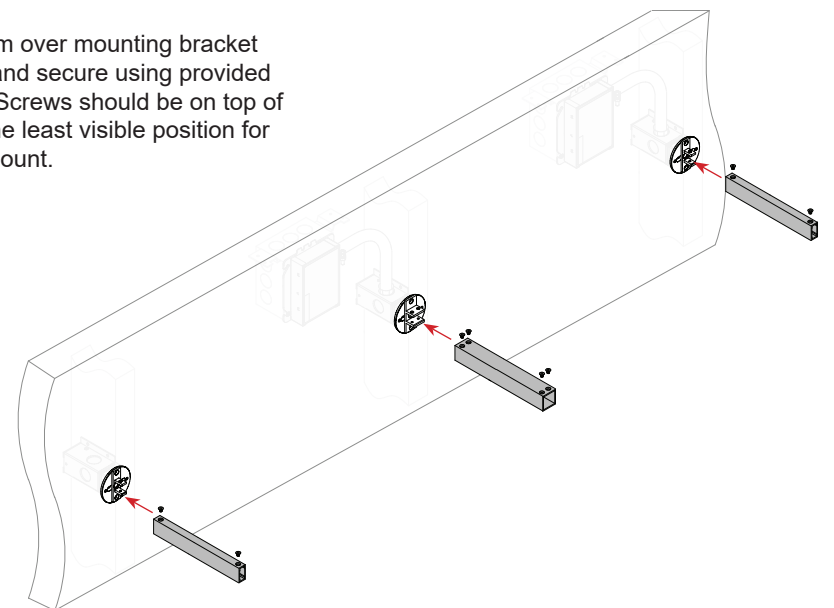
Step 3: Install Mounting Plate

After drywall has been installed, use provided screws to install Mounting Bracket, then Arm Tab to Mini J-Box. The mounting plate will sit on top of the drywall.



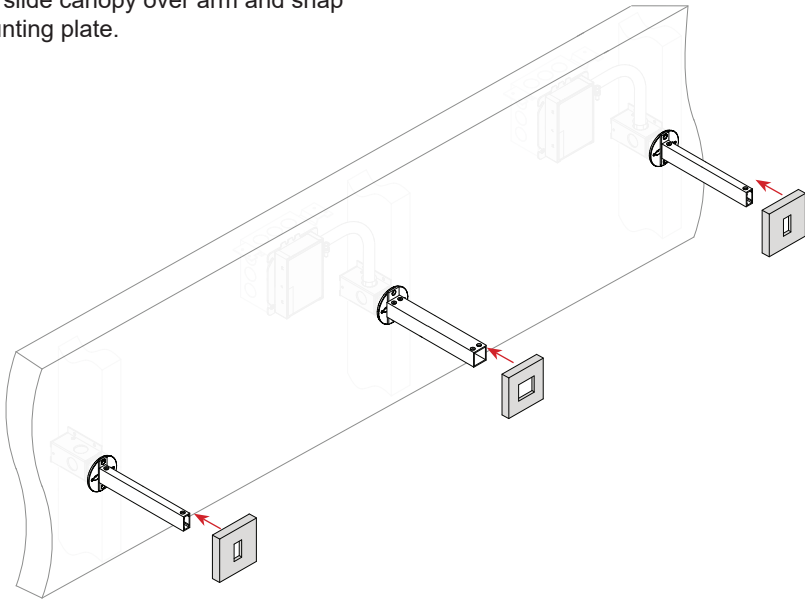
Step 4: Install Arm

Place arm over mounting bracket flanges and secure using provided screws. Screws should be on top of arm or the least visible position for ceiling mount.



Step 5: Install Canopy

Carefully slide canopy over arm and snap onto mounting plate.

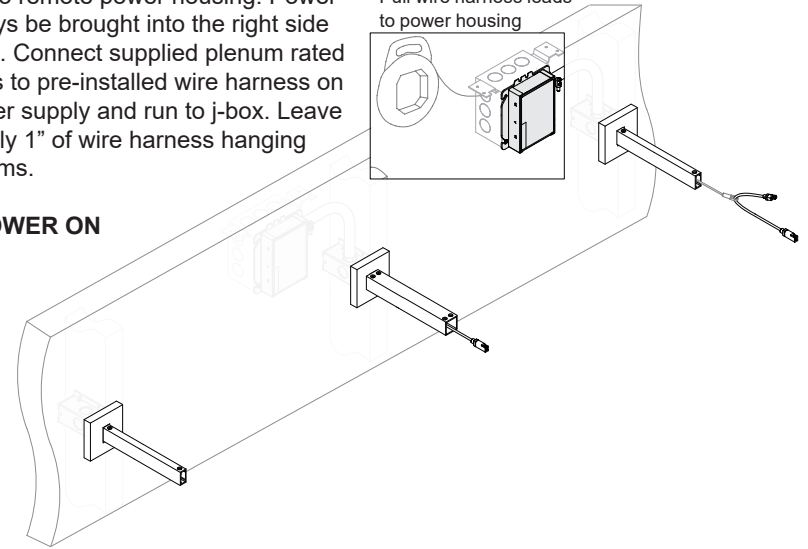


Step 6: Install Wire Harness

Feed low voltage wire harness through arm and j-box into remote power housing. Power should always be brought into the right side of the fixture. Connect supplied plenum rated wire harness to pre-installed wire harness on remote power supply and run to j-box. Leave approximately 1" of wire harness hanging out of the arms.

DO NOT POWER ON

Pull wire harness leads to power housing

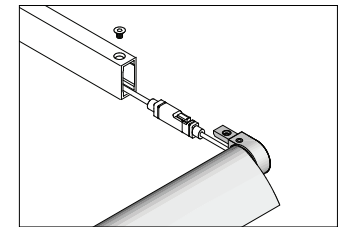
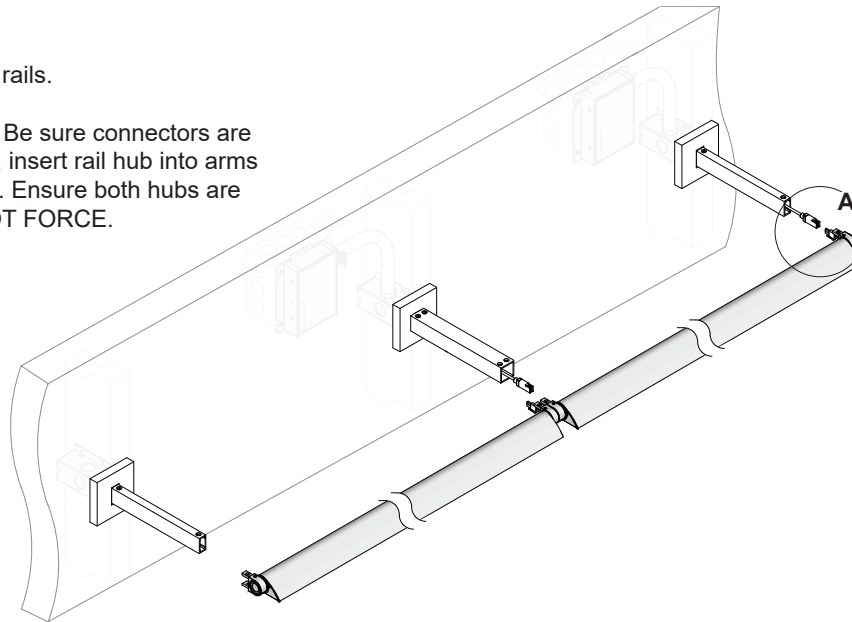


Step 7: Install Rail

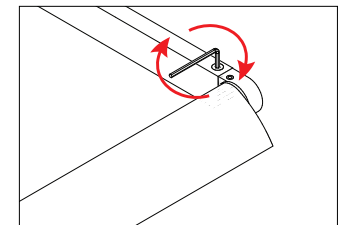
NOTE: If included, install corner rail piece before rails.

Connect rail wire harness to power wire harness. Be sure connectors are firmly fastened. Push excess wire into the arm(s), insert rail hub into arms and lightly secure in place using provided screws. Ensure both hubs are aligned and rotate easily before securing. **DO NOT FORCE.**

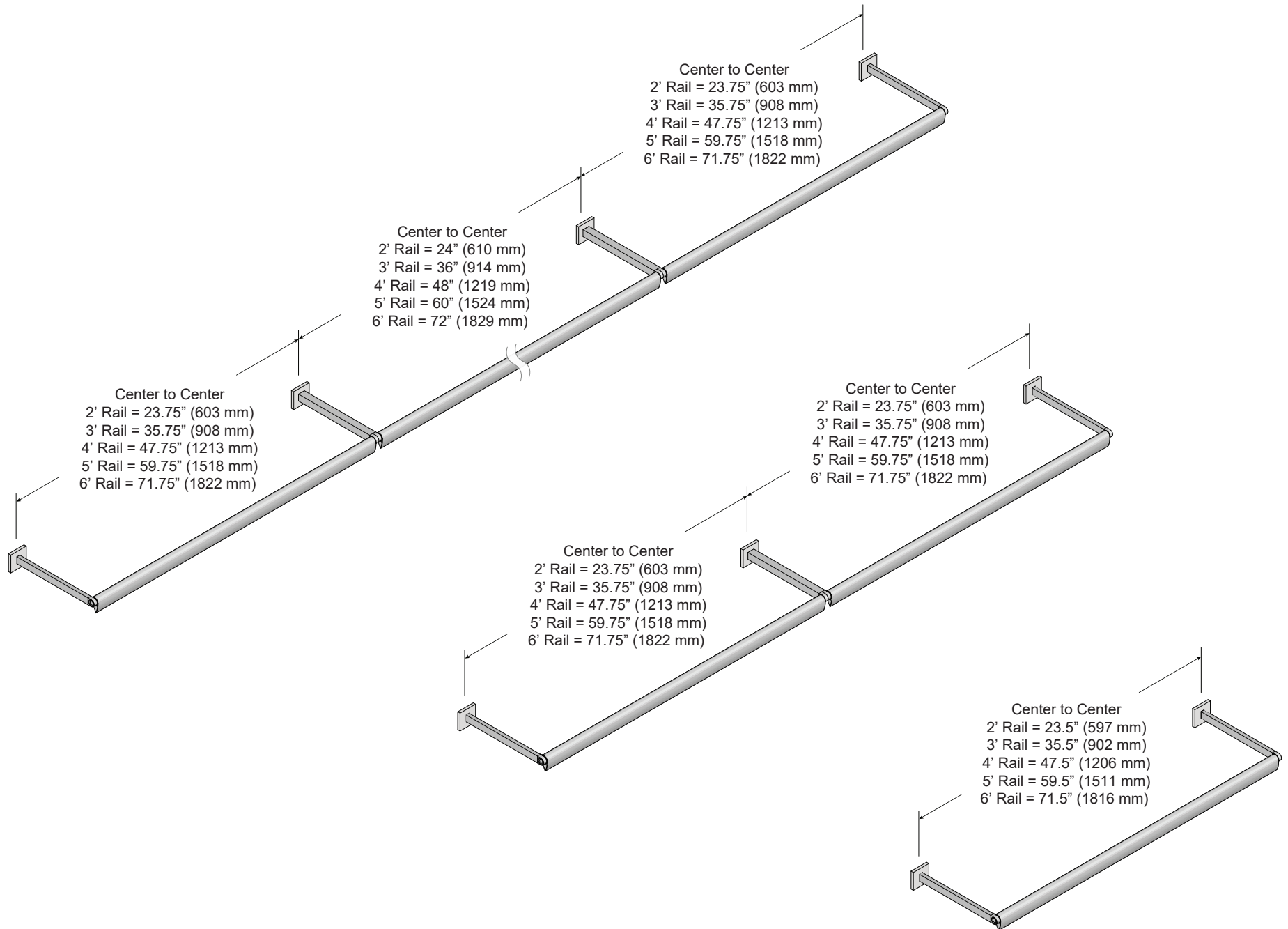
POWER SYSTEM ON



Detail A



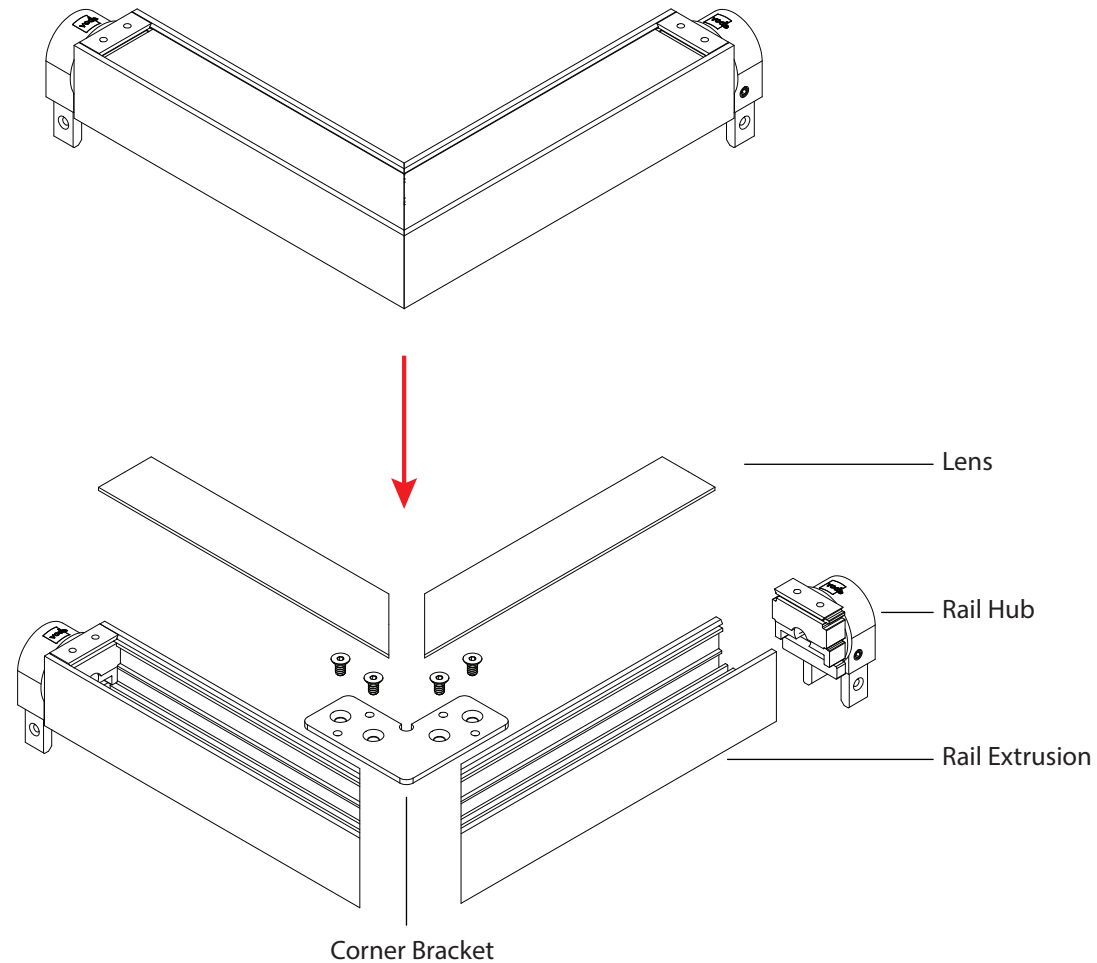
Rotate rail and secure in place.



Install Corner Rail

Install corner rail, following rail installation instructions, when directed.

If need be, corner rail can be disassembled and cut to size on site. Carefully remove one hub, using hex key to loosen, then lens. Using hex key, remove corner bracket to release extrusion. Cut one or both rail extrusion sides, being sure to sand cut edge smooth to ensure rail can be assembled properly.

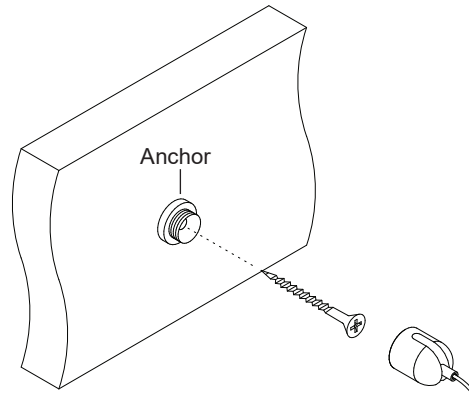


Vode provides cable tie-back support for all Wall Mount systems with arms 18" and longer to prevent sag.

NOTE: Install cable tie-back support **AFTER** securing the rest of the system.

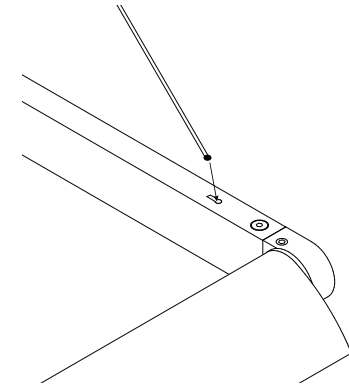
Step 1: Install Anchor

Carefully unscrew anchor from cable coupler. Using supplied screw, secure anchor to wall for all single and double arms. Cables should be installed at a 22.5° angle.



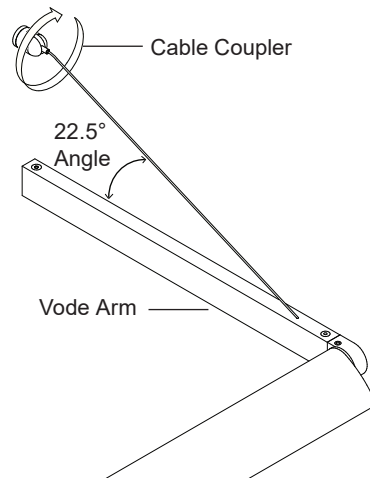
Step 2: Install Cable

Insert cable into arm keyhole.



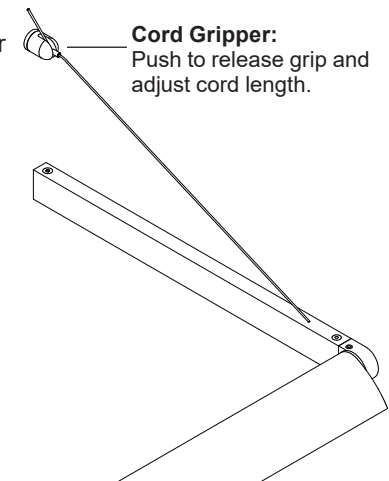
Step 3: Secure Cable(s)

Screw cable coupler to back plate.



Step 4: Adjust System

Adjust cable using cord gripper to level system. Once level, cut excess cord, leaving at least 2 mm.



Install Remote Brick Power Supply

IMPORTANT! Before any installing power supply, turn off electricity at circuit box.

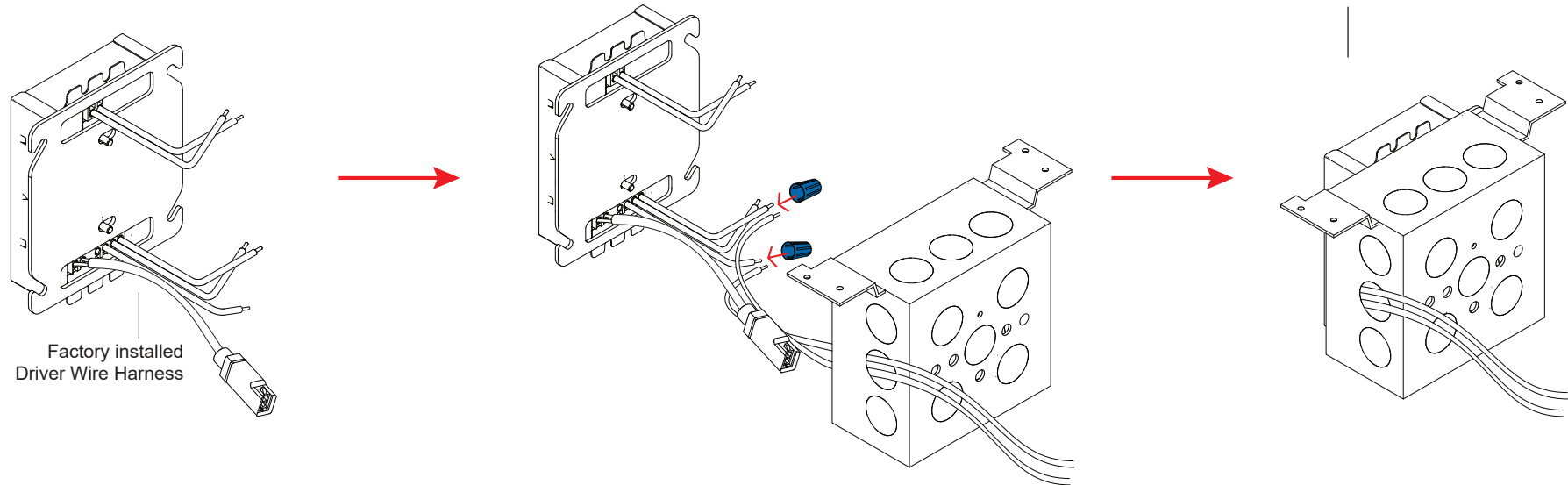
NOTE: Vode Brick style driver mounting plate is designed to mount only to 4" Square metal j-boxes with a minimum volume of 21 cu. in. Mounting plate contains important installation labeling, please consult to ensure correct driver is installed with correct corresponding rail.

Install j-box (*provided by others*) to desired surface using screws (*provided by others*). Run line, ground and neutral wiring and any applicable dimming controls into j-box through knockout and secure in place, using conduit as necessary per local coding. Use wire nuts (*provided by others*) to make a secure connection between all wiring. (*The provided wire leads are 18 AWG solid core*).

DO NOT power on system until instructed.

For remote power supply maximum distance or wiring questions, please consult **Vode Remote Power Guide**.

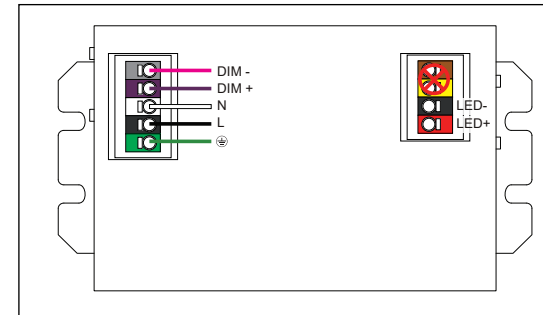
NOTE: If power housing is supplied pre-wired with cord and plug and wire harness installed, skip above steps and power system when instructed by plugging system into a standard outlet.



Max Remote Driver Distance

Driver	Remote Distance
eldoLED	100' (30.5 m)
Lutron	See Vode Power Guide

For other wiring questions and driver specific information, see **Vode Remote Power Guide**.



Example Only

See **Vode Remote Power Guide** for wiring detail.

Install Remote Linear Power Supply

IMPORTANT! Before installing any power supply, turn off electricity at circuit box.

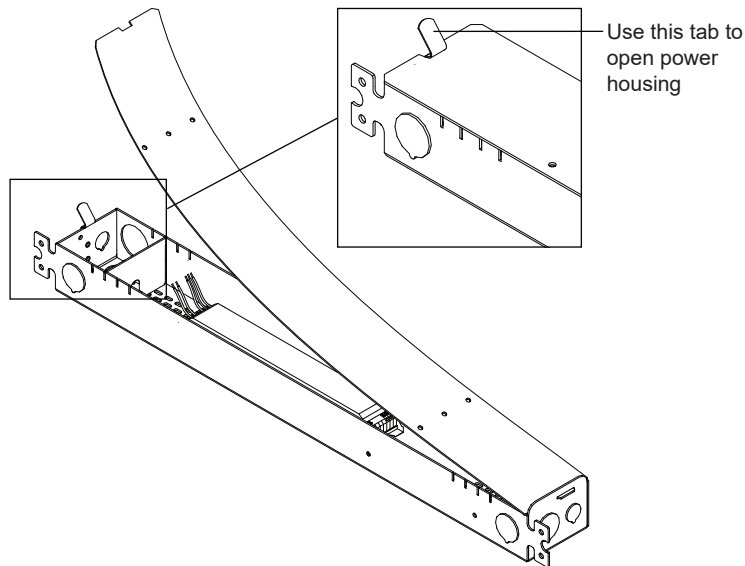
Vode recommends keeping track of which lids comes with which housing, as the lid contains important installation labeling.

Using the indicated tab, remove power housing lid to access mounting points. Install power supply housing to desired surface using screws (*provided by others*). Run line, ground and neutral wiring and any applicable dimming controls into power housing through any provided knockout and secure in place, using conduit as necessary per local coding. Use wire nuts (*provided by others*) to make a secure connection between all wiring. (*The provided wire leads are 18 AWG solid core*).

DO NOT power on system until instructed.

For remote power supply maximum distance or other wiring questions, please consult Vode Power Guide.

NOTE: If power housing is supplied pre-wired with cord and plug and wire harness installed, skip above steps and power system when instructed by plugging system into a standard outlet.

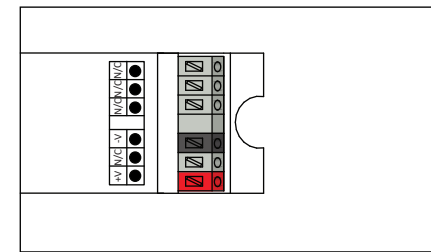


Remote Driver Distance

All Vode linear remote drivers come in a 0.054" (1.4 mm) formed galvanized steel power supply housing with five (5) knockouts: (4) 1-1/8", (1) 7/8" and (1) 9/16". Power supply housing dimensions: 2 3/8" (56 mm) x 1 5/8" (33 mm) x 20 1/16" (525 mm)

Driver	Remote Distance
eldoLED	100' (30.5 m)
OSRAM	100' (30.5 m)
Magnitude	100' (30.5 m)
Lutron	See Power Guide

For other wiring questions and driver specific information, see **Vode Remote Power Guide**.



Example Only
See Vode Remote Power Guide for wiring detail.

Trouble Shooting Guide

My fixture will not turn on:

Check all wiring is correct and all connections are fastened properly.

If all wiring is correct, remove fixture and connect it to a known working driver.

If the fixture lights up, then the problem is with the installed driver or wiring:

- 1) Check line voltage to driver is present.
- 2) Check driver wiring (see **Vode Driver Guide for details**) and check wiring to fixture.
- 3) Check driver and dimming system are compatible (see **Vode Dimmer Guide and the dimmer manufacturer's website**).

If fixture still doesn't light up, check that all dimming wires are installed correctly. Reversed polarity on any driver will cause the entire system to not work, (see **Vode Driver Guide for wiring details**).

The fixture is not dimming properly:

Check all wiring is correct and all connections are fastened properly.

Check driver wiring (see **Vode Driver Guide for details**). Make sure driver is compatible with dimming controls (see **Vode Dimmer Guide and the dimmer manufacturer's website**).

Rail is not rotating:

DO NOT FORCE RAIL! When properly installed, rails will turn easily.

Check that both hub set screws are loose. If rail will still not turn, uninstall rail from arms, paying attention to the wire harness connection. Check that both hubs and arm tabs are rotated in the same direction.

For any help with installation or technical information, contact Vode Tech Service at 707-996-9898.

Important Notes

- Listed to UL standards for damp location by a Nationally Recognized Testing Laboratory (NRTL) recognized by OSHA
- Power Type: Class 2 (<60v) constant current driver.
- Dimming curve is factory preset to linear. Logarithmic is available upon request. See Vode Driver Guide for specific details and wiring diagram.
- Unless specified, one driver per rail will be supplied.
- 5 Year Limited Warranty. All material and component parts manufactured by Vode are guaranteed to be free from defects of material and/or workmanship for a period of 5 years from date of sale. Product must be installed according to Vode installation instructions and accepted trade practices. Power supplies and other auxiliary equipment are not covered under Vode warranty but may be covered by separate OEM warranty.