



## Spec Guide

# ulo™ | 507



Declare.

Gotta Jump? The new Vode ulo. Move and it moves with you.



Portable Desk

## Benefits & Features

### Simple. Tiny. Powerful.

Portable 10.70" (272mm) x 0.21" (5mm) light module with 7 mounting options. You choose.

### Superior Light Quality & Performance

Two proximity sensors, 3 brightness levels up to 511 lumens, 4 color tuning temperatures, 2700K, 3500K, 4200K & 5000K, 90CRI, 5.9 watts.

### USB-C Power Source

Runs off USB-C power adaptor or USB-C receptacle (both optional).

### Have Fun

A magnetic ball connects the light bar to an ingenious system of mounts and anchors. One can use ulo practically anywhere.



Wall Anchor



Touch Free Controls

Build Your Specification

507-ulo	01	11			PP
---------	----	----	--	--	----

<b>System &amp; Rail Type</b>	<b>Single/Double Rail</b>	<b>Rail Length</b>	<b>Mounting</b>	<b>Arm/Cord Length</b>	<b>Power Location</b>
507-ulo uo	01 Single Rail	11 10.7" (271mm) <i>See <a href="#">Rail Length Chart</a> for more details.</i>	<b>PD</b> Portable Desk <b>TR</b> Table Anchor <b>SM</b> Shelf Mount <b>WR</b> Wall Anchor <b>WS</b> Wall Surface <b>MM</b> Mini-Mount <b>TC</b> Table Clamp	<b>0</b> None <sup>1</sup> <b>S14</b> 14" (356mm), straight <sup>2</sup>	<b>PP</b> Portable Power
<p><b>⚠ Custom lengths may result in light gaps on the fixture. See <a href="#">Rail Length Chart</a> for more details.</b></p>					

	1	Z2	SD	
--	---	----	----	--

<b>Power Type</b>	<b>Voltage</b>	<b>LED Type</b>	<b>Lumen Output</b>	<b>Color Temperature</b>
<b>PA</b> USB-C Power Adaptor <b>RC</b> USB-C Receptacle <b>NP</b> USB-C power provided by others	1 120v	<b>Z2</b> Task Light Zipper board	<b>SD</b> 3 Step Dimming <b>ZZ</b> Other (please specify) <i>See <a href="#">IES Files</a> page for details.</i>	<b>90+ CRI</b> <b>Tunable White<sup>3</sup></b> <b>TW</b> 2700K-5000K  <b>Static CCT</b> <b>279</b> 2700K <b>309</b> 3000K <b>359</b> 3500K <b>409</b> 4000K <b>509</b> 5000K

	1	0		0
--	---	---	--	---

<b>Optics</b>	<b>Sensors</b>	<b>Finish</b>	<b>Options</b>
1 Diffuse Lens	0 None	<b>AL</b> Clear Anodized <b>WH</b> White Painted <b>BL</b> Black Anodized	0 None

**NOTES & LIMITATIONS**

<sup>1</sup>Shelf Mount (SM), Wall Anchor (WR), Wall Surface (WS), and Mini-Mount (MM) come with Arm/Cord Length None (0).  
<sup>2</sup>Portable Desk (PD), Table Anchor (TR), and Table Clamp (TC) come with Arm/Cord Length 14" (356mm) straight (S14).  
<sup>3</sup>Tunable White (TW) comes standard with 4 steps: 2700K, 3500K, 4200K, and 5000K.

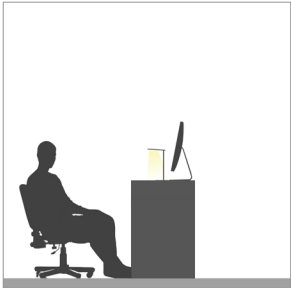
5 Year Limited Warranty. See full Vode warranty description [here](#) or at [vode.com](#).

Listed to UL standards for damp location by a Nationally Recognized Testing Laboratory (NRTL) recognized by OSHA.

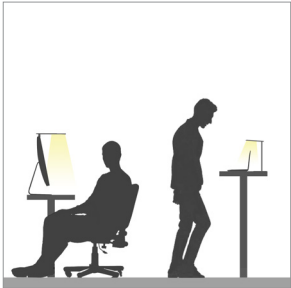


# Applications

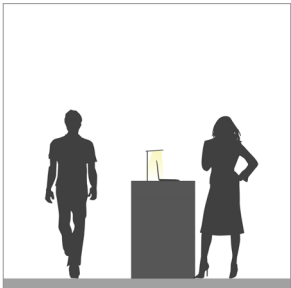
## Table Anchor



## Personal Office



## Portable Desk



# Applications

## Table Clamp



## Library Desk



## Task Work Surfaces



# Applications

## Hospitality



## Hospitality



## Creative Tasks



# Declare Label

All Vode Lighting linear light fixtures proudly carry the Red List Approved designation.

See [International Living Future Institute](https://www.livingfuture.org/declare) website for details.



## Vode Adaptive Architectural Lighting Systems Vode Lighting LLC

**Final Assembly:** Sonoma, California, US  
**Life Expectancy:** 10+ Year(s)  
**End of Life Options:** Recyclable (100%)

**Ingredients:**

Anodized Aluminum (6063-T5 Alloy); Steel; Small Electrical Component (RoHS)<sup>1</sup>; Copper; **Fluorinated Ethylene Propylene (masterbatch)<sup>2</sup>**; Polymethyl methacrylate (PMMA); Stainless Steel; Polyoxymethylene Copolymer (POM); Styrene-butadiene polymer, hydrogenated; Poly(methyl methacrylate/butyl acrylate/styrene) (PMMA/BA/S); Styrene/butadiene copolymer; Distillates; Polypropylene; Calcium carbonate; Polycarbonate; EVA Copolymer; Methyl methacrylate (MMA); Polyphenylene Oxide; Brass; Tin, Organic

<sup>1</sup>LBC Temp Exception RL-002 - Small Electrical Components  
<sup>2</sup>LBC Temp Exception RL-023 - Wire Sheathing Subject to NFPA 90A, NFPA 262, UL® 910

**Living Building Challenge Criteria:** Compliant

**I-13 Red List:**

- LBC Red List Free                      % Disclosed: 100% at 100ppm
- LBC Red List Approved                VOC Content: Not Applicable
- Declared

**I-10 Interior Performance:** Not Applicable  
**I-14 Responsible Sourcing:** Not Applicable

VDE-0001  
EXP. 01 JAN 2025  
Original Issue Date: 2018

MANUFACTURER RESPONSIBLE FOR LABEL ACCURACY  
INTERNATIONAL LIVING FUTURE INSTITUTE™ [living-future.org/declare](https://www.living-future.org/declare)

## Structure

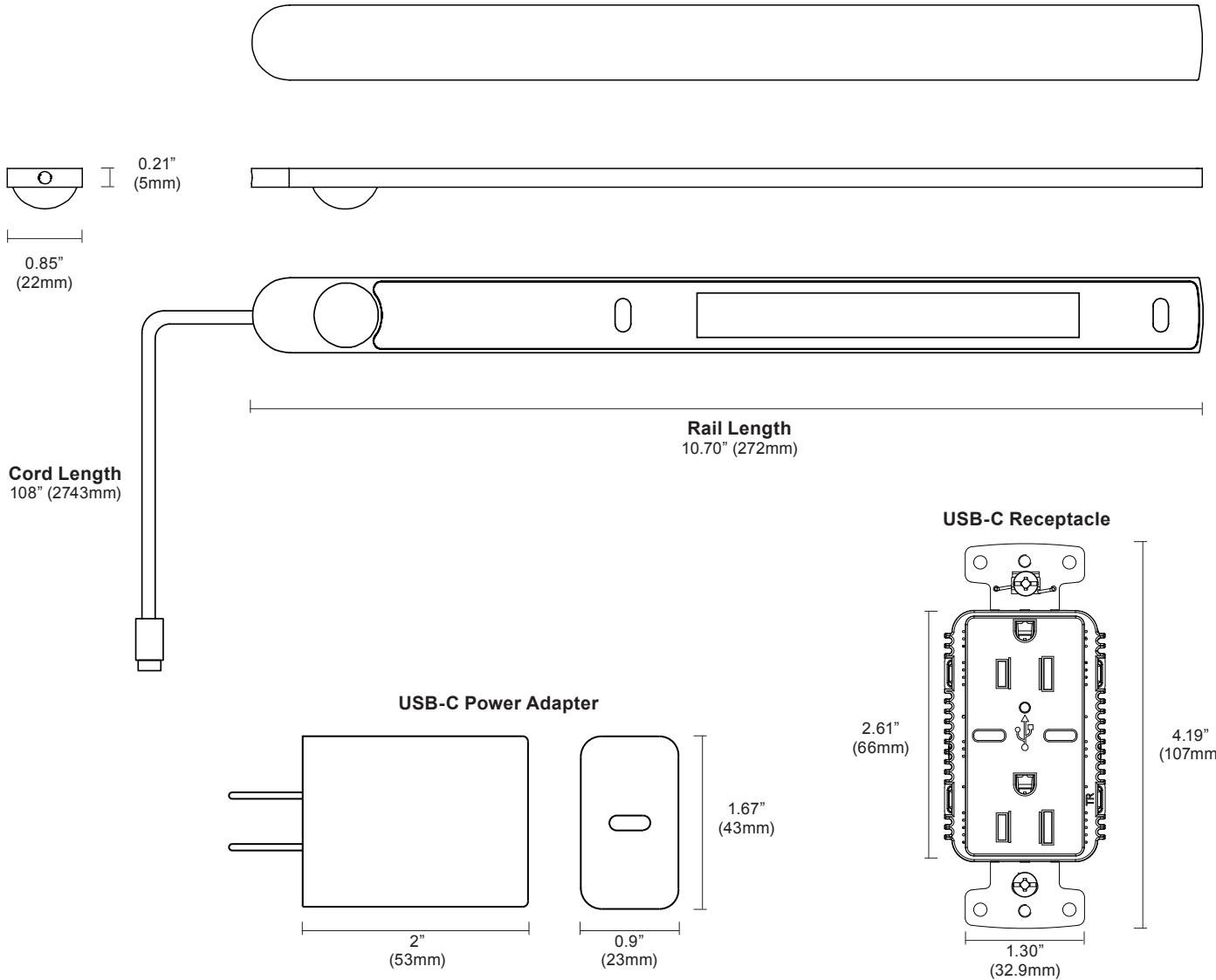
Light Module	10.70" x 0.21" (272mm x 5mm)
Construction / Finish	Extruded and machined 6063-T5 aluminum. Clear anodized, black anodized, white painted and non-standard finishes available
Cable Length	108" (2743mm)
Operating Temperature	32°F to 104°F (0°C to 40°C)
Humidity	0-85%, non-condensing
Weight	0.25lbs per light module (0.11kg per 305mm) <i>Mounting hardware not included in calculation</i>

## Materials

LED Board Construction	FR4, RoHS compliant
Lens	Polycarbonate
Power Cable	USB-C, Ø3.5mm, 24/2 & 28/2 AWG, TPE, flame tested UL-910

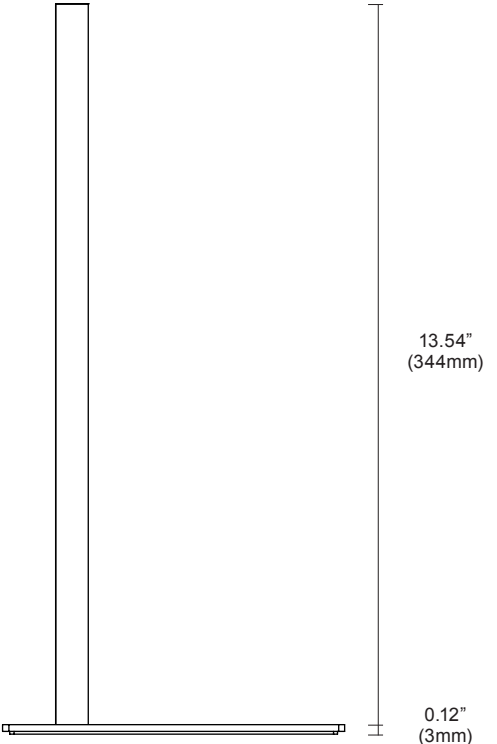
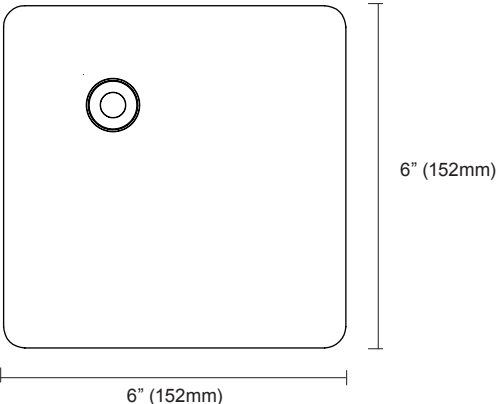
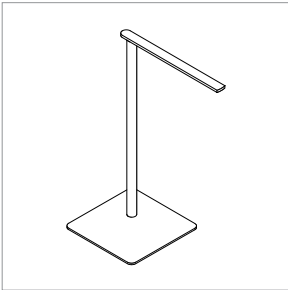
## Dimensions

### Light Bar

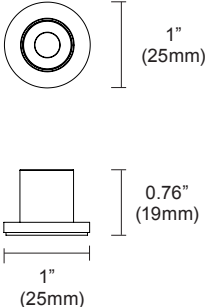
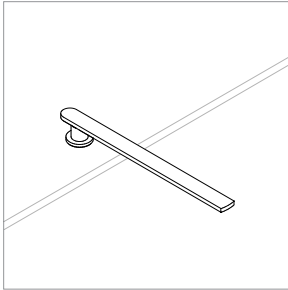


# Dimensions

## Portable Desk



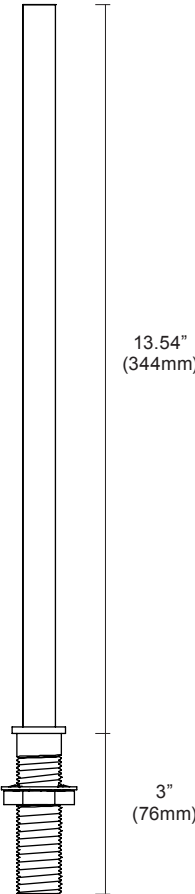
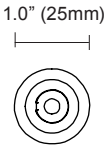
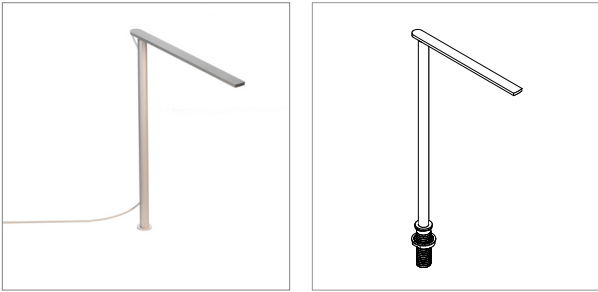
## Mini-Mount



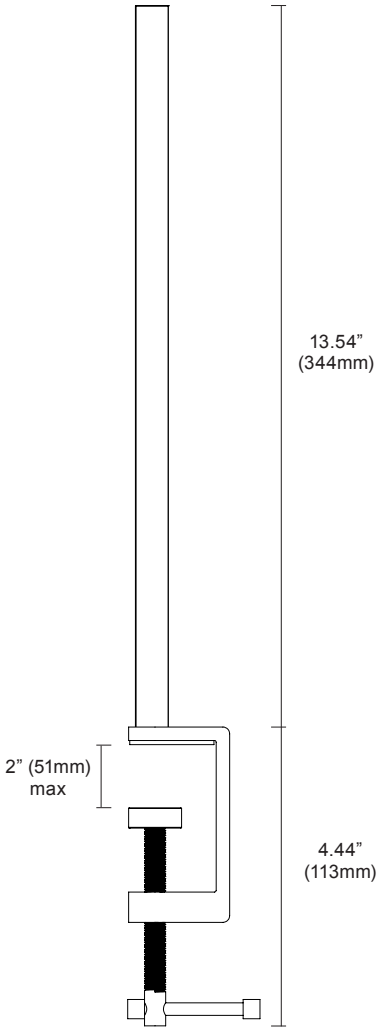
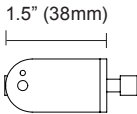
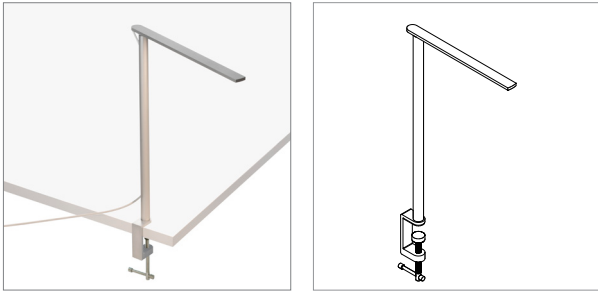


# Dimensions

## Table Anchor

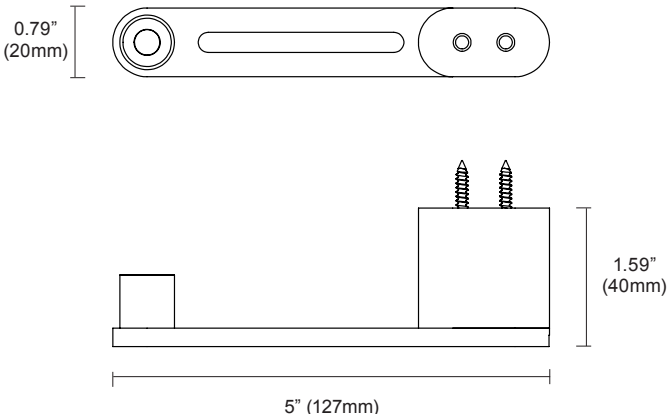
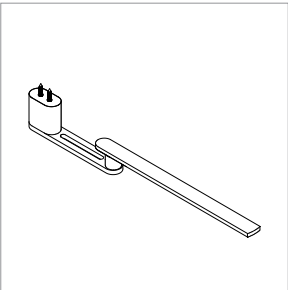


## Table Clamp

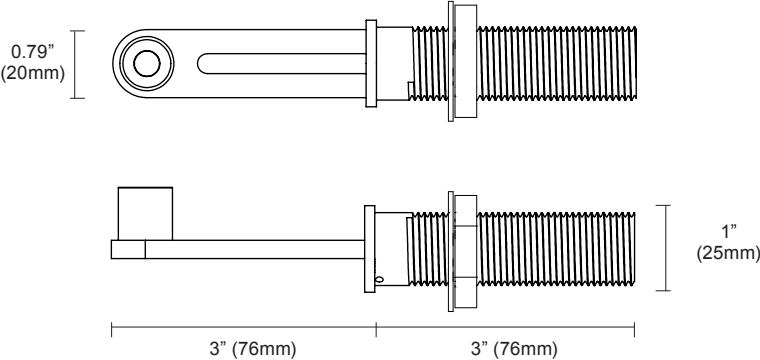
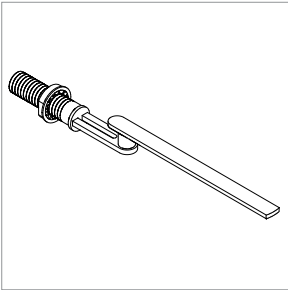


# Dimensions

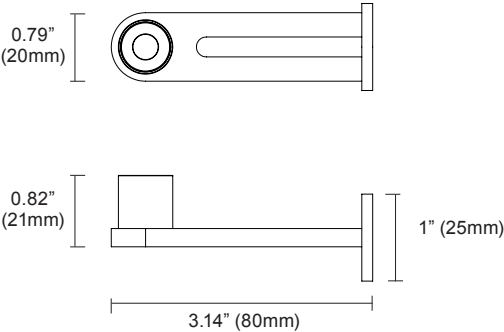
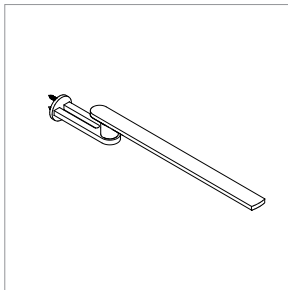
## Shelf Mount



## Wall Anchor



## Wall Surface



# Power and Controls

Power Type	Class 2 (5v, 3A output) USB-C power adapter
Controls	Integrated in fixture
Input Voltage	120v - 240v, 50/60hz, 0.7A Max

# Finish

Clear Anodized Finish



Clear Anodized Light Bar, Clear Anodized Mounting, White Cable

White Painted Finish



White Light Bar, White Mounting, White Cable

Black Anodized Finish

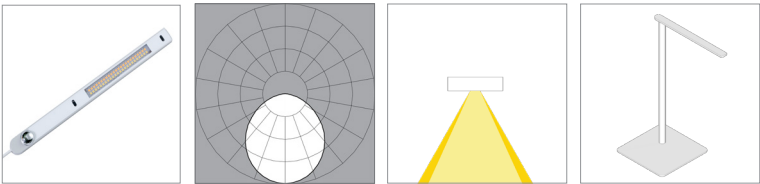


Black Light Bar, Black Mounting, Black Cable

# Performance | Zipper LED

Ulo has 48 diodes. Lumen measurement complies with IES-LM-79-08 testing procedures.

Diffuse Lens (1)

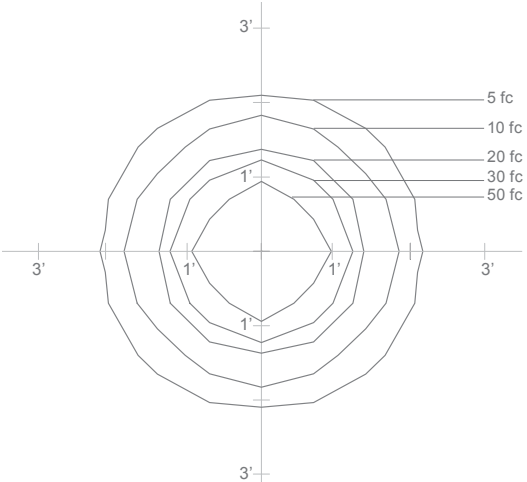


L80 >60,000 hours

90 CRI (90min., 96 avg.)

Full Brightness	2700K	3000K	3500K	4000K	4200K	5000K
Efficacy - Lumens per Watt	77	75	77	80	80	87
Total Lumens	451	442	456	470	470	511
Input Power (W)	5.9	5.9	5.9	5.9	5.9	5.9

Isofootcandle Plot



		Isofootcandle plot CCT multipliers					
		2700K	3000K	3500K	4000K	4200K	5000K
multipliers		0.99	0.97	1	1.03	1.03	1.12
foot candles	50	49.5	48.5	50	51.5	51.5	56
	30	29.7	29.1	30	30.9	30.9	33.6
	20	19.8	19.4	20	20.6	20.6	22.4
	10	9.9	9.7	10	10.3	10.3	11.2
	5	4.95	4.85	5	5.15	5.15	5.6

Lamp is 14" above desk surface at full brightness light output and 3500K