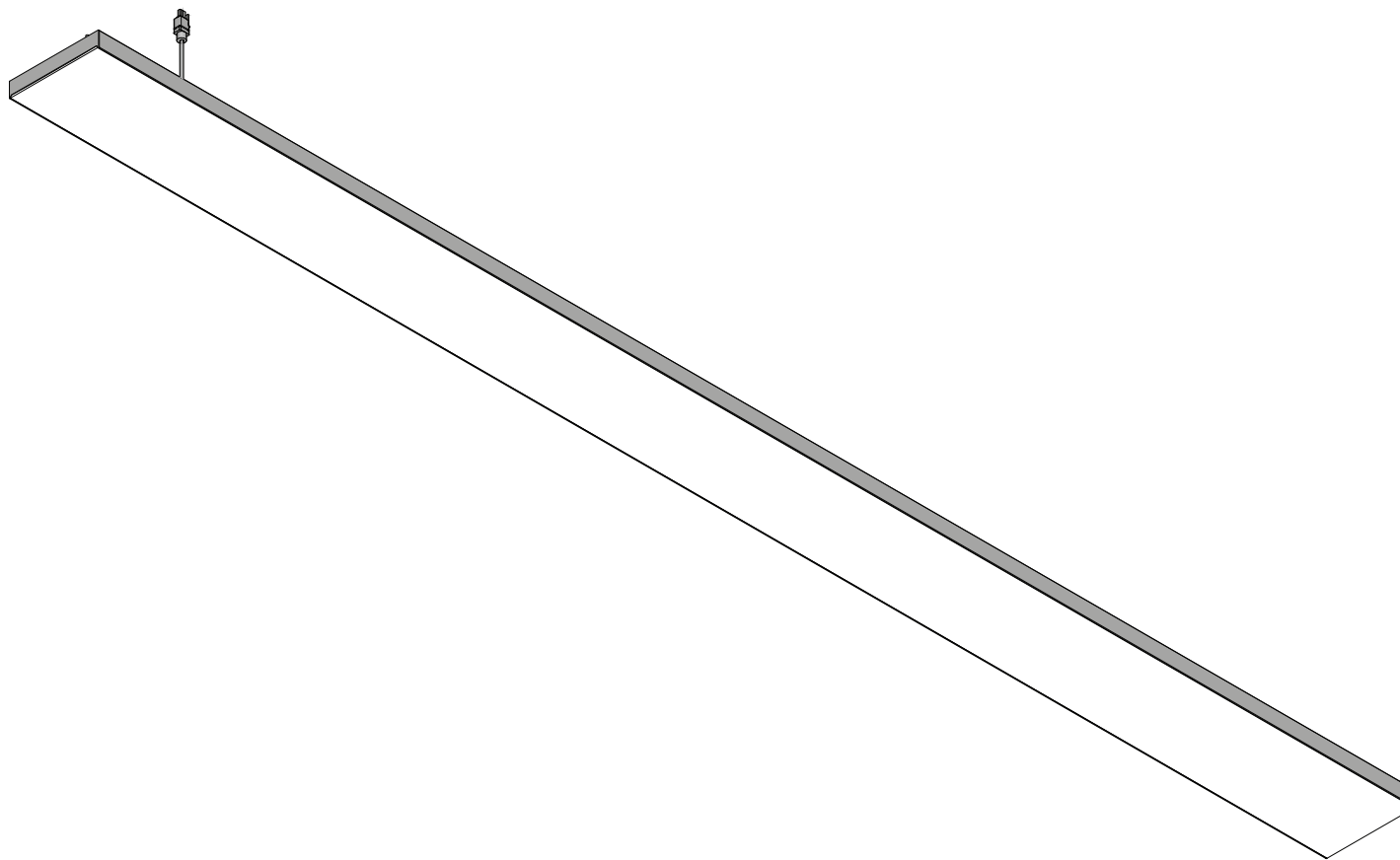


807 | Nexa | Remote Power | Suspended Ceiling Clip

Please read instructions in their entirety before proceeding with any part of the installation. This product must be installed in accordance with the applicable installation code by a person familiar with the construction and operation of the product and the hazards involved. Consult a qualified electrician to ensure correct branch circuit rating. To prevent electric shock, disconnect all power before installing or servicing product. Rated for use in dry and damp locations only. Retain instructions for future reference.

Technical Support: 707.996.9898 or technicalsupport@vode.com

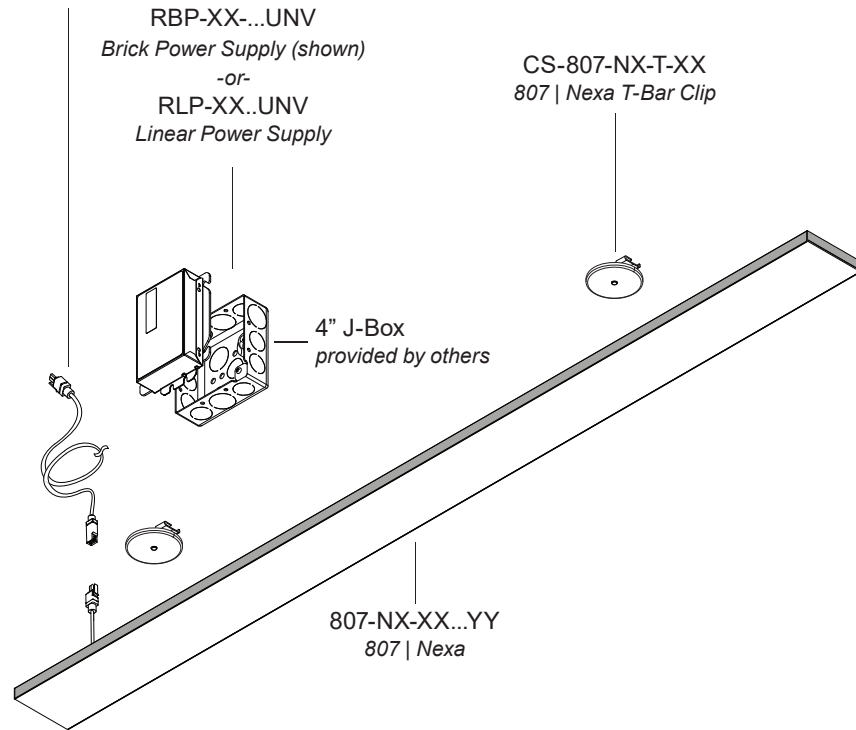
Installed View



Parts Diagram

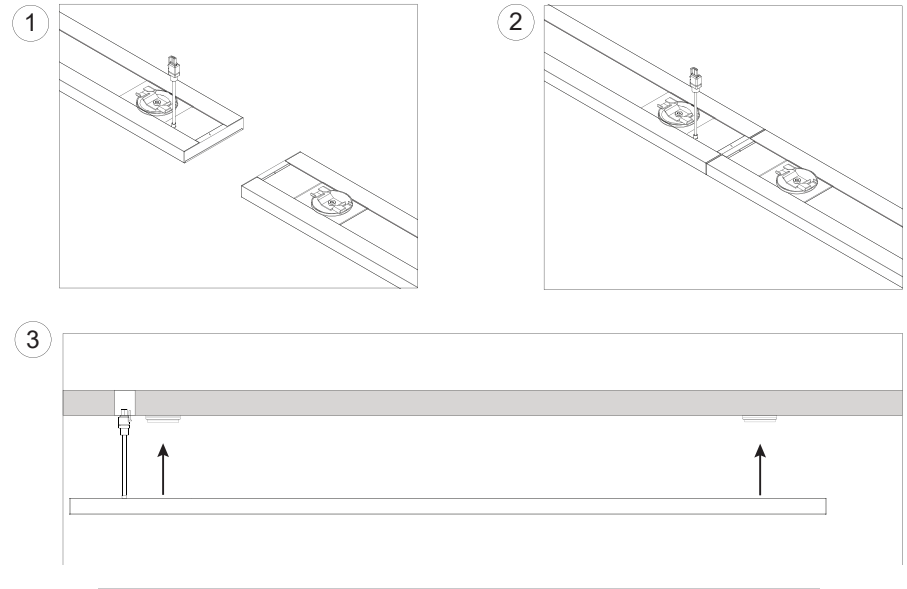
NOTE: Refer to page 4 for RGBW

WRH-MWP-XX-MF-18/2-RLF-YY
2-conductor Wire Harness
(25' (7.6 m) supplied, optional 25'
extensions available upon request)



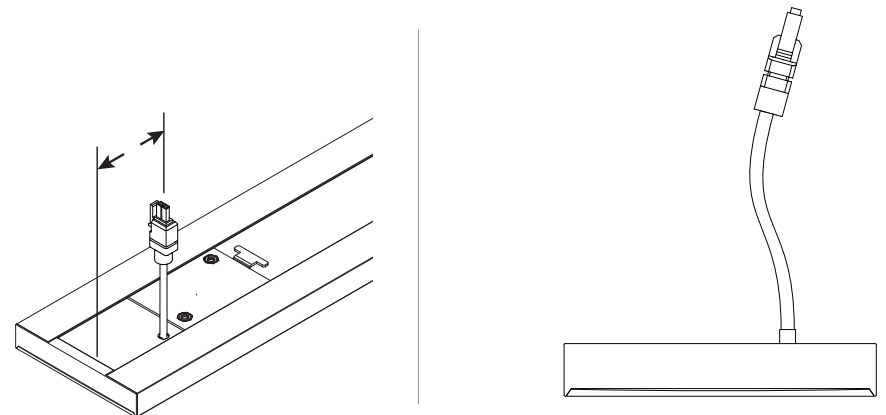
Fixture Alignment

Mount the fixtures as close as possible and with minimal gap in between the endcaps for continuous systems.



Fixture Orientation

Power feed comes out the bottom of the fixture (as shown) and is located 2" (51 mm) in from the end of the fixture.

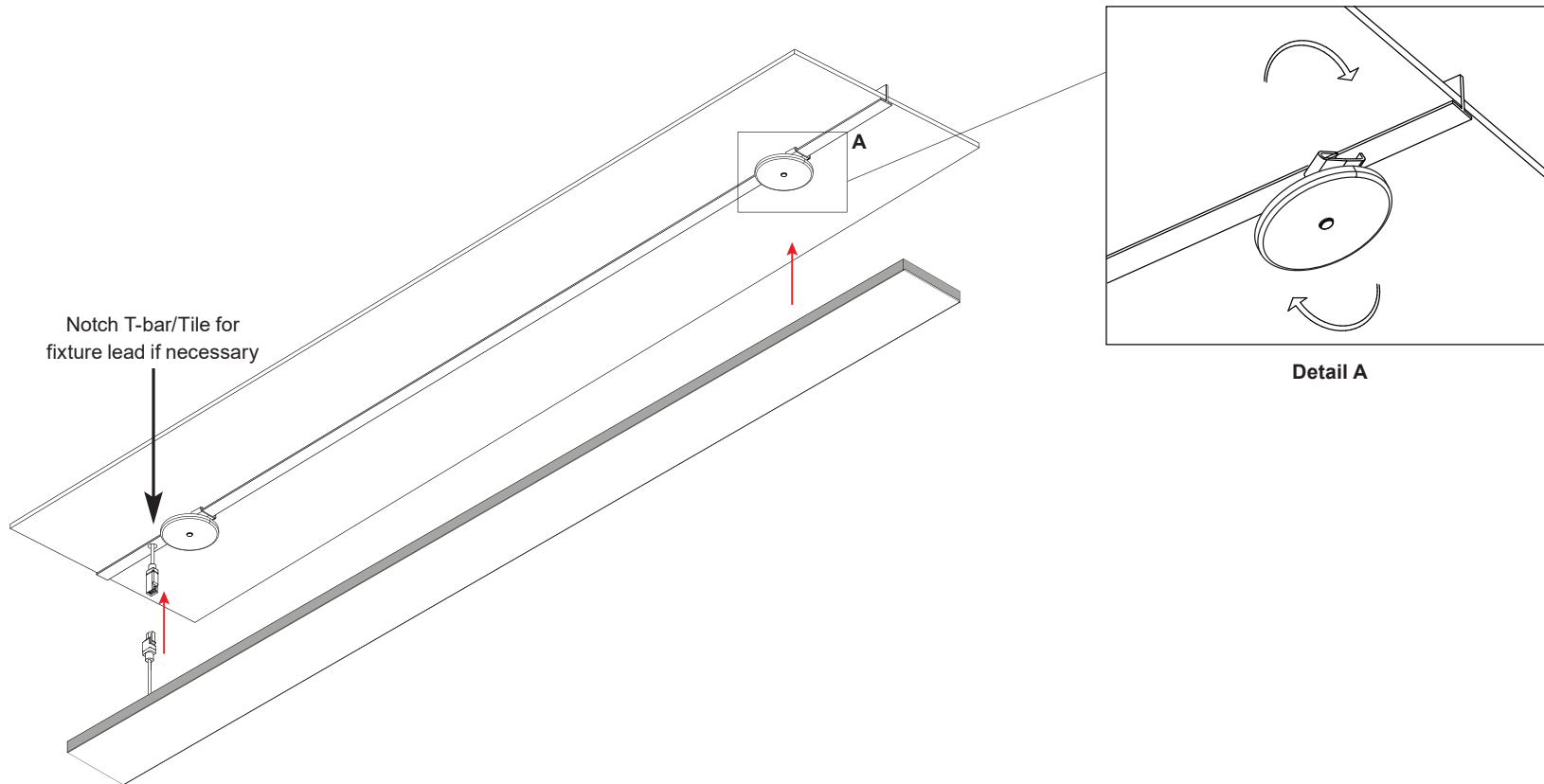
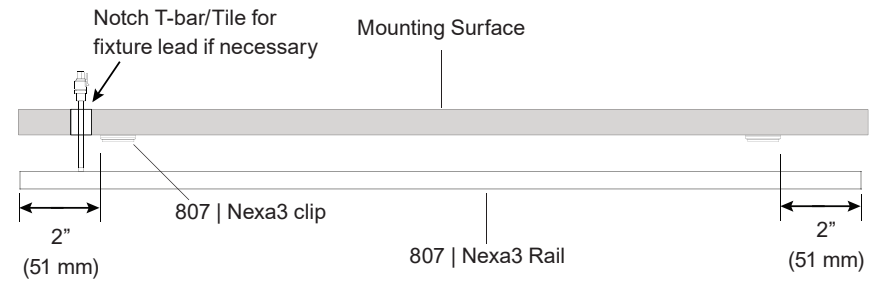


T-Bar Clip (T1, T2, T3, T4, T5)

Rails are provided with 2 magnets per 24" - 60" fixtures, 3 magnets per 72" - 96" fixture and 4 per 108" - 144" fixture. Position two clips 2" (102mm) from each end of the fixture and evenly space the remaining clips.

Determine fixture wire harness location and notch T-Bar/Panel, as necessary. Install driver and wiring per instructions (see *appendix*). Install T-Bar clips by pressing clip against T-bar and twisting clockwise. Connect fixture wire harness to power wire harness, then attach fixture to installed magnet/clip by centering fixture.

See tech sheets and Vode Clip Guide for more information on each clip option.

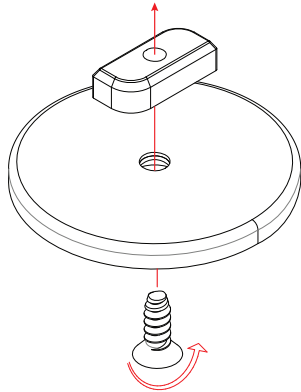


T-Bar Clip (T6 - 1/4" Silhouette)

Step 1: Assemble Clips

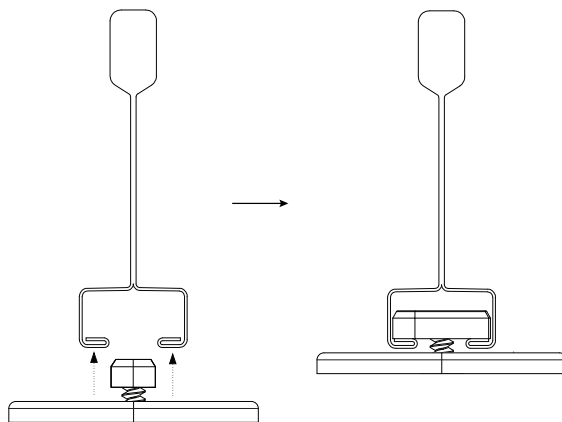
Assemble the clip, as shown below. Do not screw on nut completely.

NOTE: Install nut as shown, beveled edge to be facing up.



Step 2: Install Clip to T-Bar

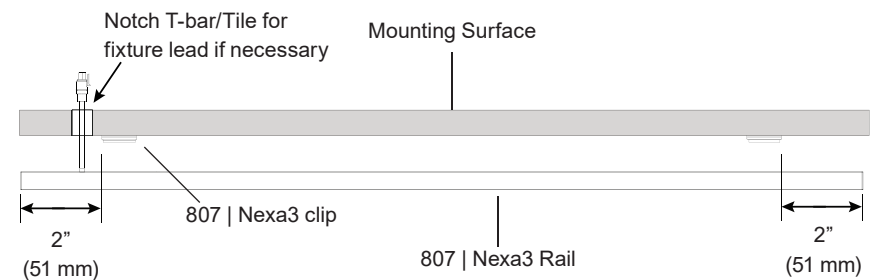
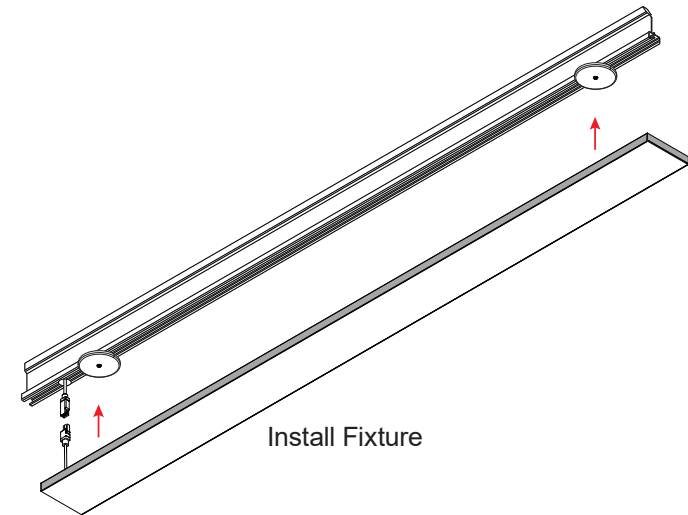
Keep nut parallel to slot in T-Bar. Insert nut into the slot and turn the 90°. Once the nut is in place tighten screw. DO NOT over tighten as this could deform the clip and not allow for installation.



Step 3: Install Fixture

Rails are provided with 2 magnets per 24" - 60" fixtures, 3 magnets per 72" - 96" fixture and 4 per 108" - 144" fixture. Position two clips 2" (102mm) from each end of the fixture and evenly space the remaining clips.

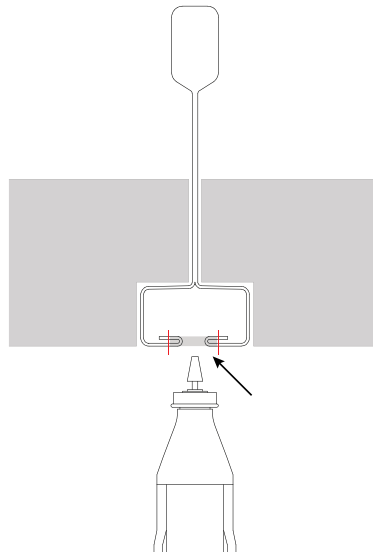
Determine fixture wire harness location and notch T-Bar/Panel, as necessary. Install driver and wiring per instructions (see *appendix*). Connect fixture wire harness to power wire harness. Install fixture onto installed clips' magnet by attaching back edge of fixture to installed clips. For multi-rail systems, see Alignment, page 2.



T-Bar Clip (T6 - 1/8" Silhouette)

Step 1: Prep T-Bar for Installation

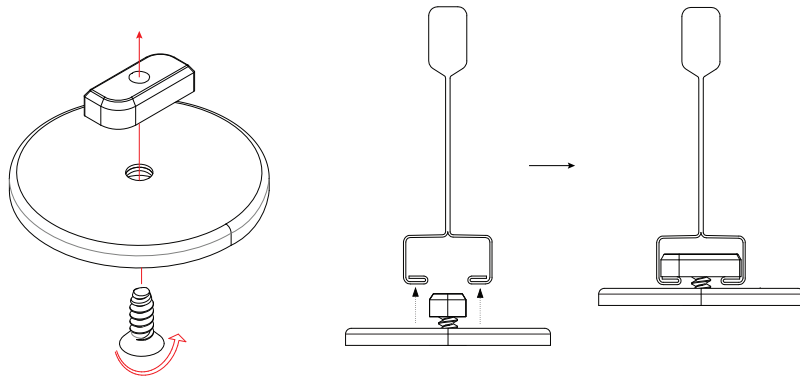
Using a router or cutters, open up the slot enough to allow the nut to slide into the channel. The provided nut is only 1/4" wide, so the channel will only need to be opened 1/8". Use care to not remove too much of the channel. Vode recommends about a 2" long opening behind locations of a light.



Step 2: Install Clip to T-Bar

Assemble the clip, as shown below. Do not screw on nut completely. Install nut as shown, beveled edge to be facing up.

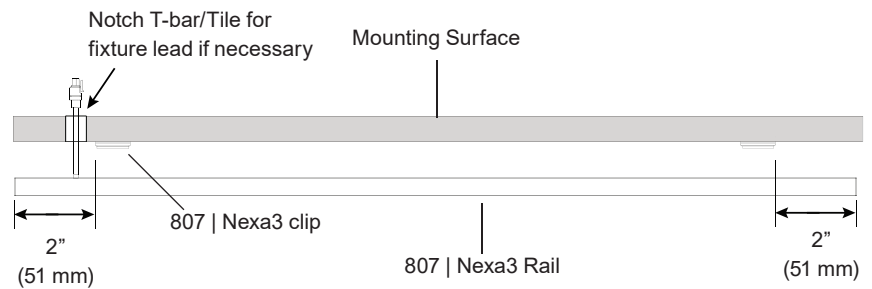
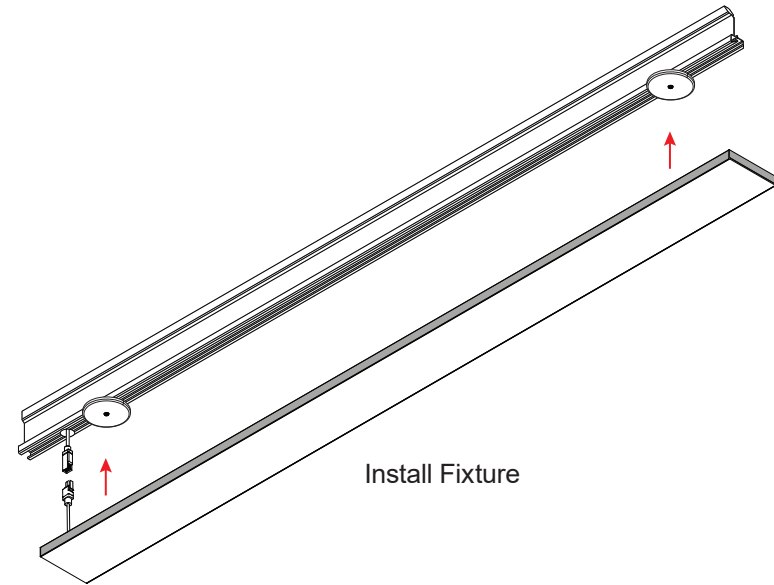
Keep nut parallel to slot in T-Bar. Insert nut into the slot and turn the 90°. Once the nut is in place tighten screw. DO NOT over tighten as this could deform the clip and not allow for installation. Slide all brackets to desired location through opening in T-bar made during step 1.



Step 3: Install Fixture

Rails are provided with 2 magnets per 24" - 60" fixtures, 3 magnets per 72" - 96" fixture and 4 per 108" - 144" fixture. Position two clips 2" (51mm) from each end of the fixture and evenly space the remaining clips.

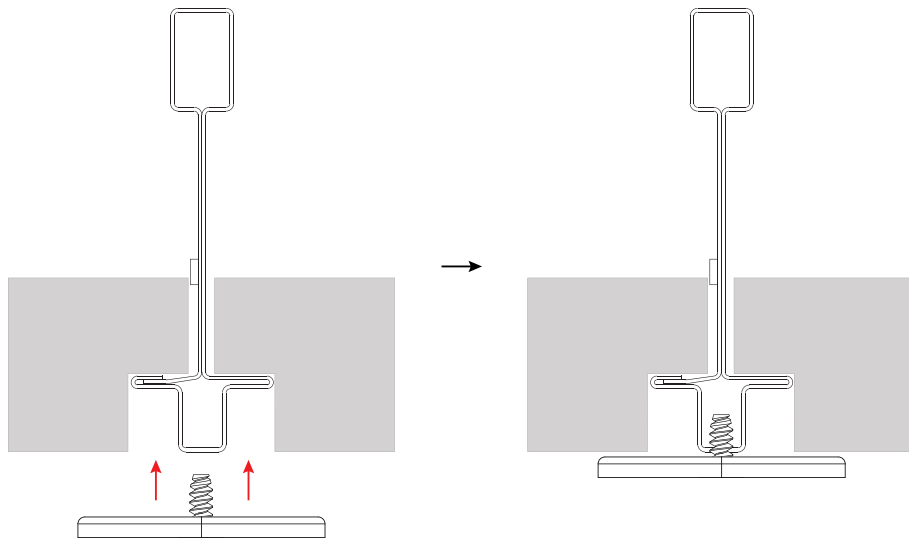
Determine fixture wire harness location and notch T-Bar/Panel, as necessary. Install driver and wiring per instructions (see appendix). Connect fixture wire harness to power wire harness. Install fixture onto installed clips' magnet by attaching back edge of fixture to installed clips. For multi-rail systems, see Alignment, page 2.



T-Bar Clip (T7)

Step 1: Install Clip to T-Bar

Drill 7/64" pilot holes in desired clip locations on T-Bar. Using screws provided, insert screw through clip and gently install the clip onto the T-Bar by threading screw into pre-drilled pilot holes. DO NOT over tighten as this will deform the clip or T-Bar and will not allow for the rail to be installed properly. Contractor may need to drill a pilot hole for ease of installation.

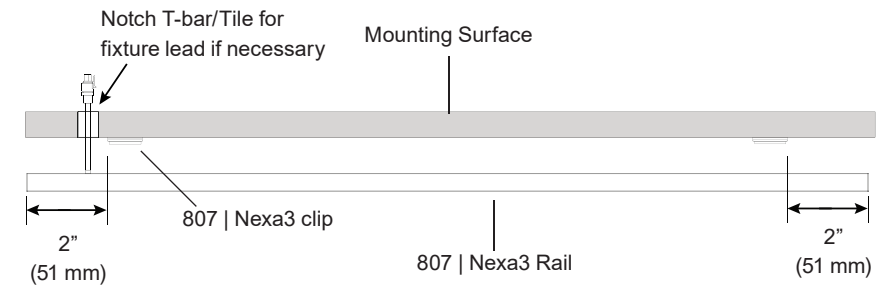
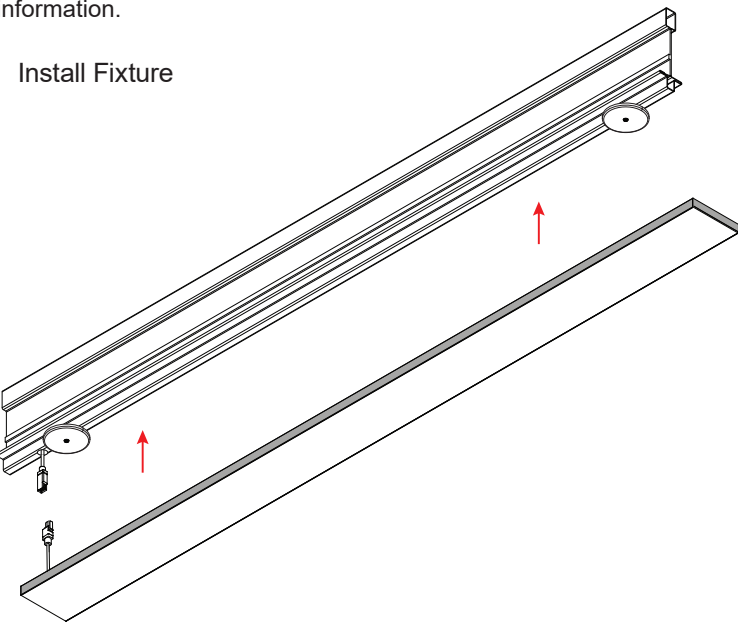


Step 3: Install Fixture

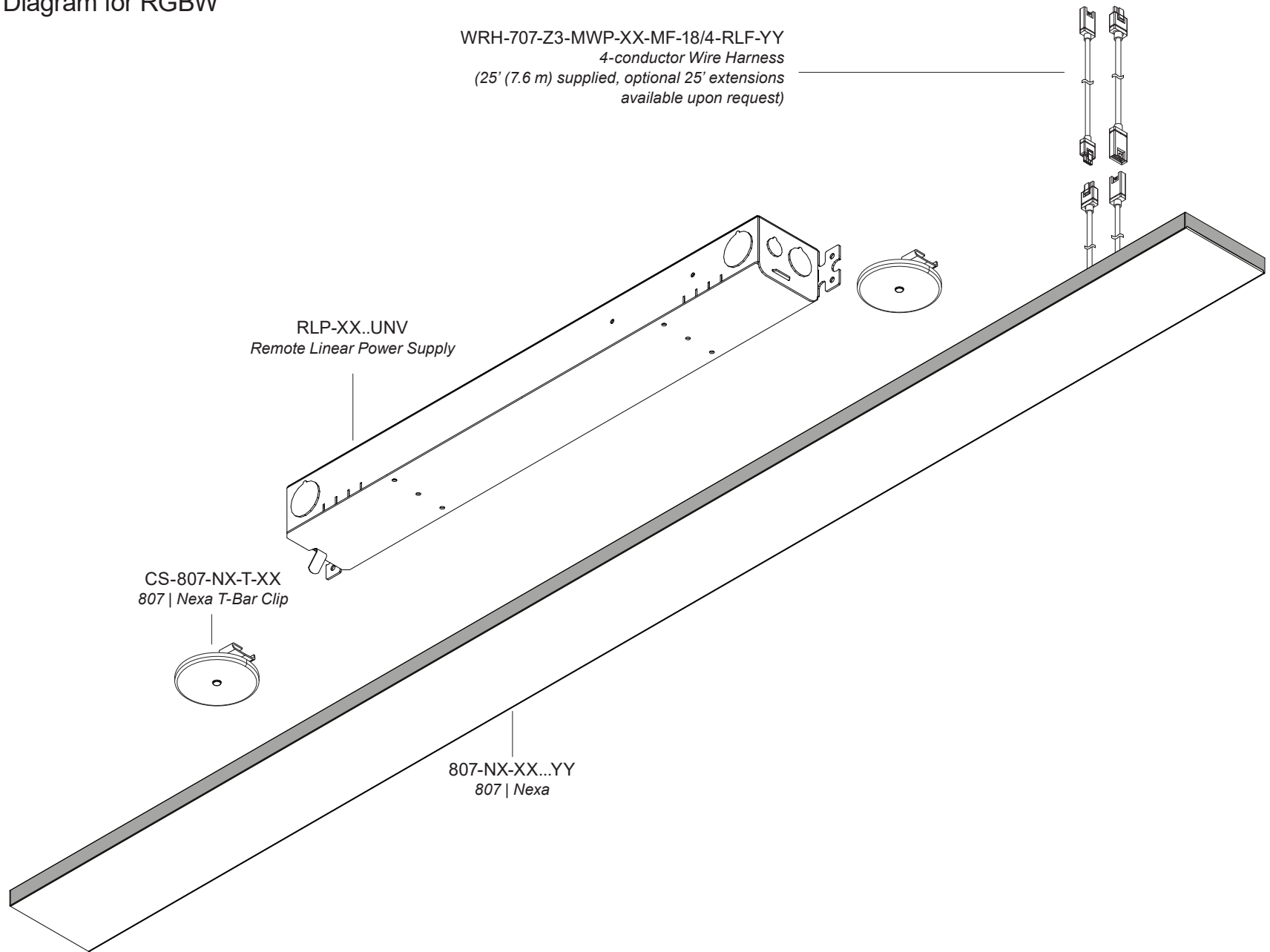
Rails are provided with 2 magnets per 24" - 60" fixtures, 3 magnets per 72" - 96" fixture and 4 per 108" - 144" fixture. Position two clips 2" (51mm) from each end of the fixture and evenly space the remaining clips.

Determine fixture wire harness location and notch T-Bar/Panel, as necessary. Install driver and wiring per instructions (see *appendix*). Connect fixture wire harness to power wire harness. Install fixture onto installed clips' magnet by attaching back edge of fixture to installed clips. For multi-rail systems, see Alignment, page 2.

NOTE: Installation of RGBW fixtures will have 2 wire harnesses. See page 4 for more information.



Parts Diagram for RGBW



Install Remote Brick Power Supply

IMPORTANT! Before installing any power supply, turn off electricity at circuit box.

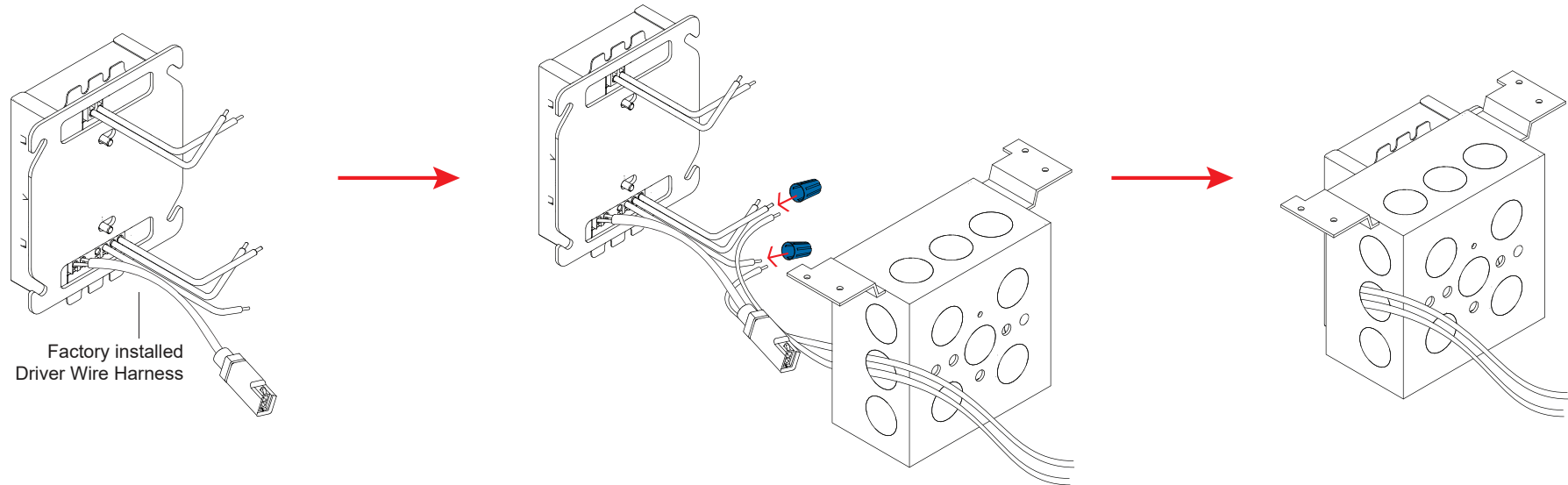
NOTE: Vode Brick style driver mounting plate is designed to mount only to 4" Square metal j-boxes with a minimum volume of 21 cu. in. Mounting plate contains important installation labeling, please consult to ensure correct driver is installed with correct corresponding rail.

Install j-box (*provided by others*) to desired surface using screws (*provided by others*). Run line, ground and neutral wiring and any applicable dimming controls into j-box through knockout and secure in place, using conduit as necessary per local coding. Use wire nuts (*provided by others*) to make a secure connection between all wiring. (*The provided wire leads are 18 AWG solid core*).

DO NOT power on system until instructed.

For remote power supply maximum distance or wiring questions, please consult **Vode Remote Power Guide**.

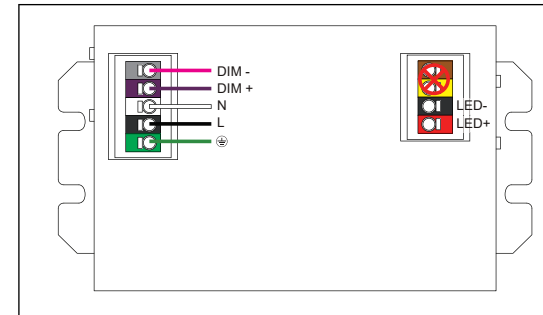
NOTE: If power housing is supplied pre-wired with cord and plug and wire harness installed, skip above steps and power system when instructed by plugging system into a standard outlet.



Max Remote Driver Distance

Driver	Remote Distance
eldoLED	100' (30.5 m)
Lutron	See Vode Power Guide

For other wiring questions and driver specific information, see **Vode Remote Power Guide**.



Example Only
See Vode Remote Power Guide for wiring detail.

Install Remote Linear Power Supply

IMPORTANT! Before installing any power supply, turn off electricity at circuit box.

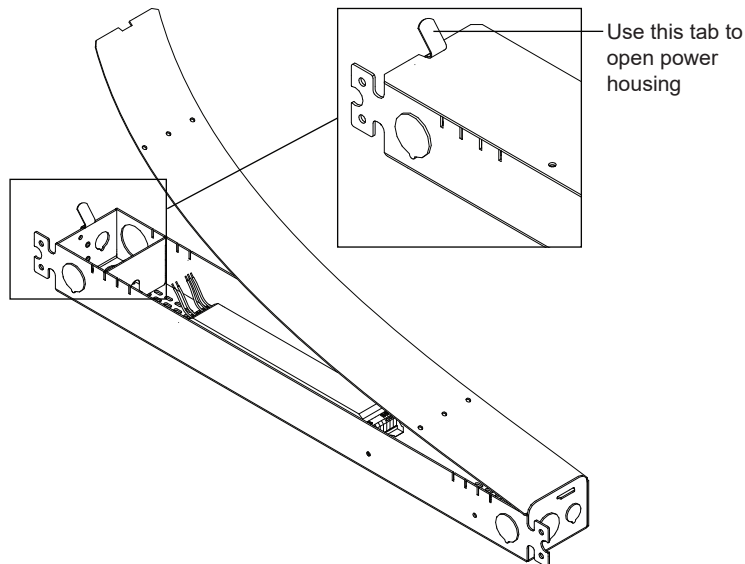
Vode recommends keeping track of which lids comes with which housing, as the lid contains important installation labeling.

Using the indicated tab, remove power housing lid to access mounting points. Install power supply housing to desired surface using screws (*provided by others*). Run line, ground and neutral wiring and any applicable dimming controls into power housing through any provided knockout and secure in place, using conduit as necessary per local coding. Use wire nuts (*provided by others*) to make a secure connection between all wiring. (*The provided wire leads are 18 AWG solid core*).

DO NOT power on system until instructed.

For remote power supply maximum distance or other wiring questions, please consult Vode Power Guide.

NOTE: If power housing is supplied pre-wired with cord and plug and wire harness installed, skip above steps and power system when instructed by plugging system into a standard outlet.

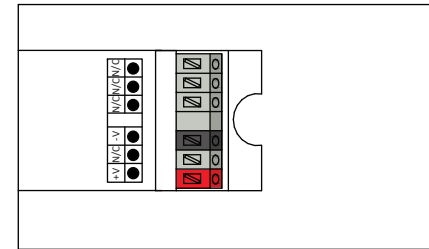


Remote Driver Distance

All Vode linear remote drivers come in a 0.054" (1.4 mm) formed galvanized steel power supply housing with five (5) knockouts: (4) 1-1/8", (1) 7/8" and (1) 9/16". Power supply housing dimensions: 2 3/8" (56 mm) x 1 5/8" (33 mm) x 20 1/16" (525 mm)

Driver	Remote Distance
eldoLED	100' (30.5 m)
Lutron	See Power Guide
Magnitude	100' (30.5 m)
OSRAM	100' (30.5 m)

For other wiring questions and driver specific information, see **Vode Remote Power Guide**.



Example Only
See Vode Remote Power Guide for wiring detail.

Trouble Shooting Guide

My fixture will not turn on:

Check all wiring is correct and all connections are fastened properly.

If all wiring is correct, remove fixture and connect it to a known working driver.

If the fixture lights up, then the problem is with the installed driver or wiring:

- 1) Check line voltage to driver is present.
- 2) Check driver wiring (see **Vode Power Guide for details**) and check wiring to fixture.
- 3) Check driver and dimming system are compatible (see **Vode Power Guide and the dimmer manufacturer's website**).

If fixture still doesn't light up, check that all dimming wires are installed correctly. Reversed polarity on any driver will cause the entire system to not work, (see **Vode Power Guide for wiring details**).

The fixture is not dimming properly:

Check all wiring is correct and all connections are fastened properly.

Check driver wiring (see **Vode Power Guide for details**). Make sure driver is compatible with dimming controls (see **Vode Power Guide and the dimmer manufacturer's website**).

For any help with installation or technical information, contact Vode Tech Service at 707-996-9898.

Important Notes

- Listed to UL standards for damp location by a Nationally Recognized Testing Laboratory (NRTL) recognized by OSHA
- Power Type: Class 2 (<60v) constant current driver.
- Dimming curve is factory preset to linear. Logarithmic is available upon request. See Vode Driver Guide for specific details and wiring diagram.
- Unless specified, one driver per rail will be supplied.
- 5 Year Limited Warranty. All material and component parts manufactured by Vode are guaranteed to be free from defects of material and/or workmanship for a period of 5 years from date of sale. Product must be installed according to Vode installation instructions and accepted trade practices. Power supplies and other auxiliary equipment are not covered under Vode warranty but may be covered by separate OEM warranty.
- Any modifications, alterations, or unauthorized adjustments to the wire harness, including but not limited to cutting or splicing, outside of its original factory configuration will void all warranties.