



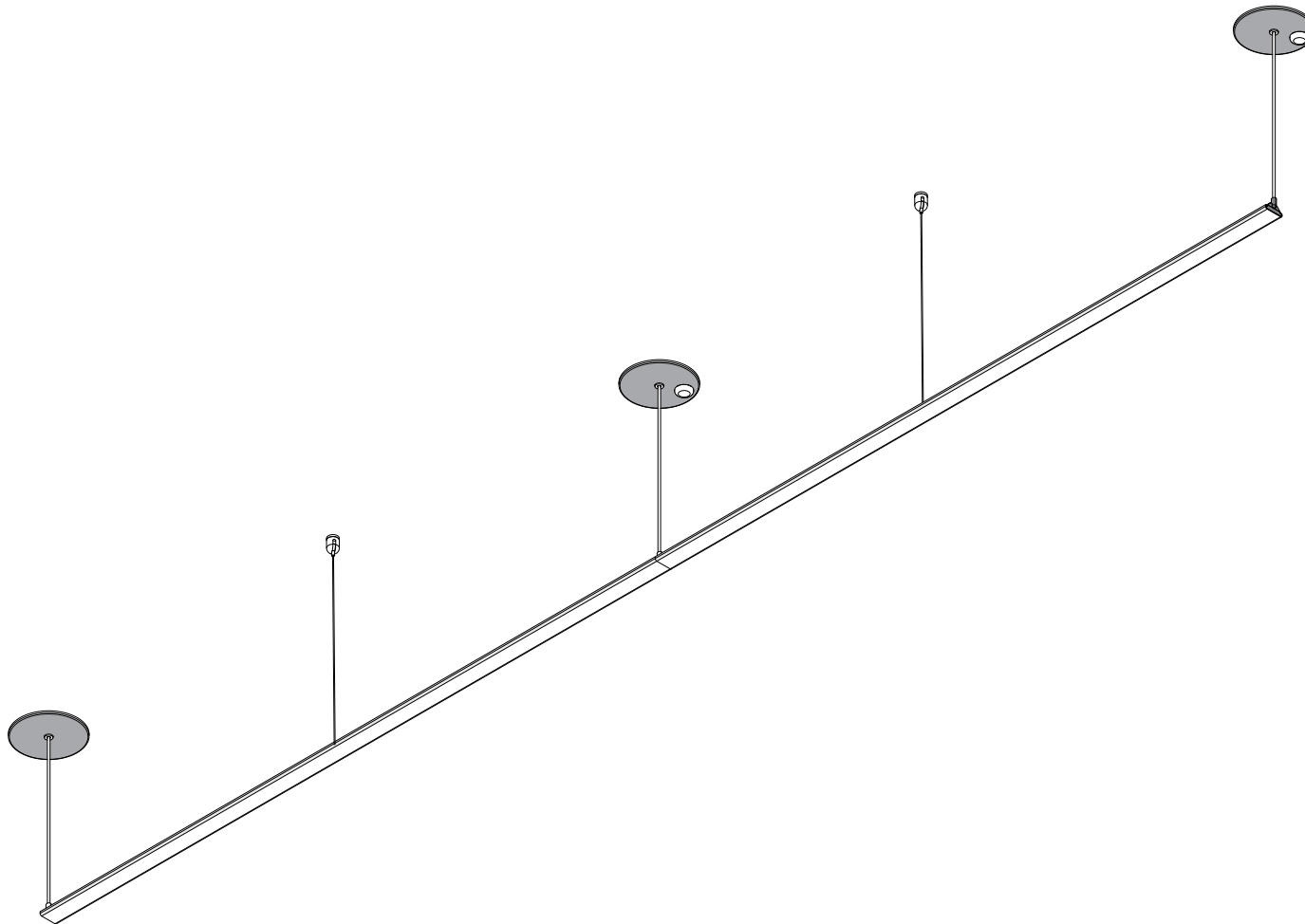
## Ceiling Cable | 707 | ZipTwo® | Remote Power | Large Canopy | vodeCONNECT™

Please read instructions in their entirety before proceeding with any part of the installation. This product must be installed in accordance with the applicable installation code by a person familiar with the construction and operation of the product and the hazards involved. Consult a qualified electrician to ensure correct branch circuit rating. To prevent electric shock, disconnect all power before installing or servicing product. Rated for use in dry and damp locations only. Retain instructions for future reference.

Technical Support: 707.996.9898 or [technicalsupport@vode.com](mailto:technicalsupport@vode.com)

---

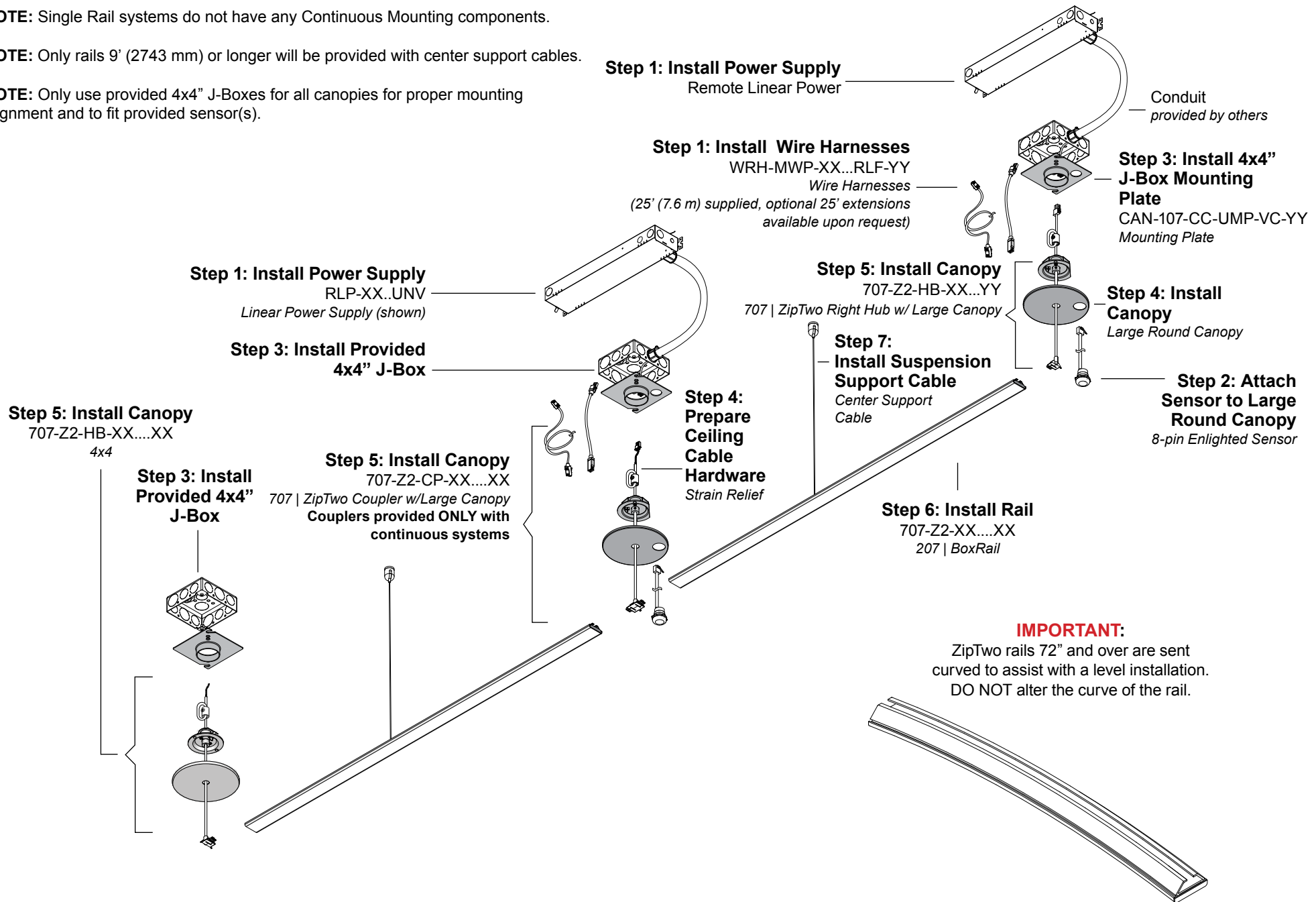
### Installed View



**NOTE:** Single Rail systems do not have any Continuous Mounting components.

**NOTE:** Only rails 9' (2743 mm) or longer will be provided with center support cables.

**NOTE:** Only use provided 4x4" J-Boxes for all canopies for proper mounting alignment and to fit provided sensor(s).



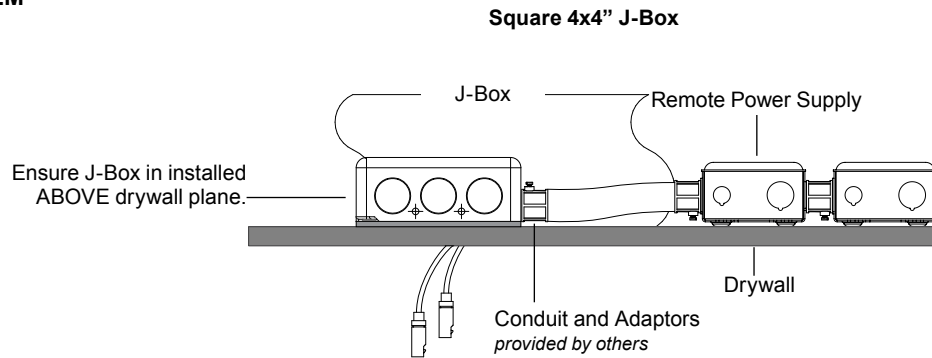
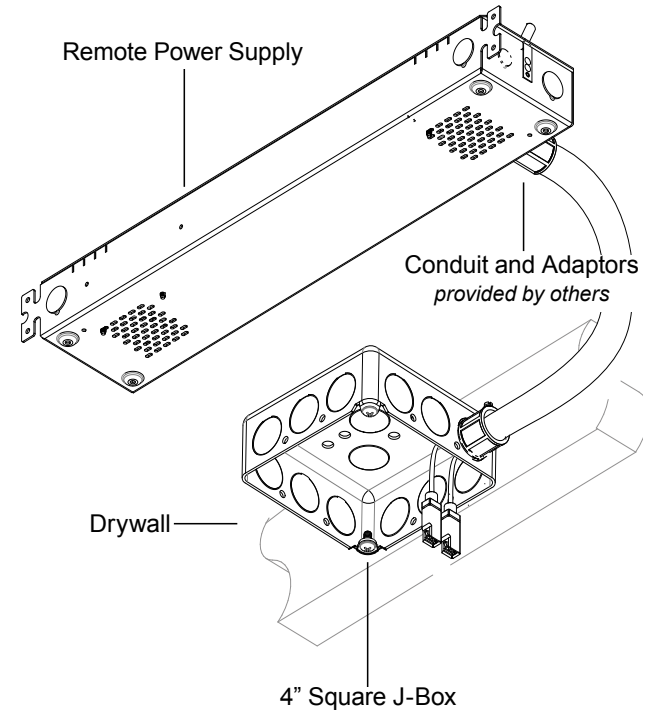
**Step 1: Install J-Box and Power Supply (Drywall ceiling)**

**IMPORTANT!** Accurate placement and alignment of junction boxes is critical as it will determine the alignment of the entire system.  
 Refer to appendix for installation of remote power housing. If system will be supplied with a brick driver, separate j-boxes will be needed for mounting the power supply and the rail system. Vode small canopy mounting is designed for 5/8" drywall.

Mount 4" square j-boxes for sensor equipped canopies in desired location using the center to center dimensions on Page 9. Install 4" square j-boxes for sensor equipped canopies ABOVE drywall plane(see diagram below). Install 3.5" square j-boxes for standard canopies AT drywall plane (see diagram below). If necessary, install conduit per local building code. Make conduit connections between remote power supply housing and j-boxes. All mounting locations will require a j-box for installation but only one side of each rail requires power. Connect supplied plenum rated wire harness to pre-installed wire harness on remote power supply and run to j-box. Leave approximately 1" of wire harness hanging out of j-box.

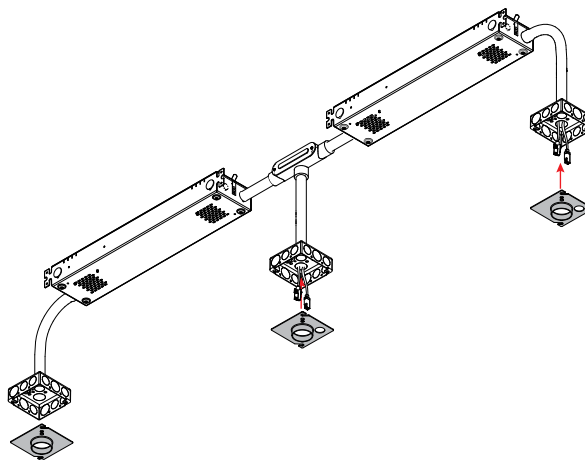
If using optional harnesses, use caution when pulling through conduit to ensure no connection is broken.

**DO NOT POWER ON SYSTEM**



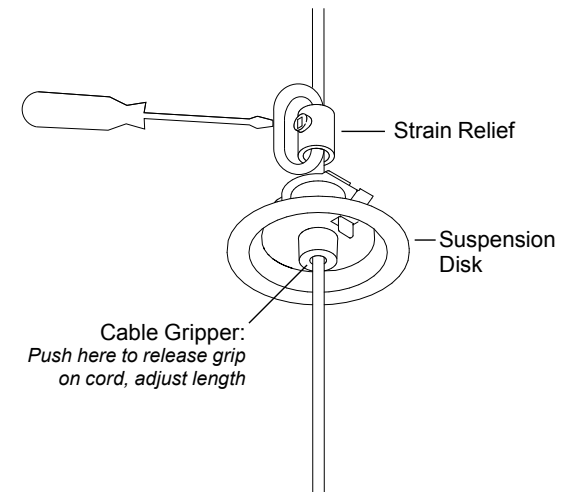
**Step 3: Install Universal Mounting Plate**

Install 5/8" drywall, careful to not cover j-box. The face of the j-box to be flush with drywall, as shown below. Install universal mounting plate with screws provided and with protrusion facing inwards.



**Step 4: Prepare Ceiling Cable Hardware**

Adjust cable for Hub/Coupler Mounting Assembly by firmly pressing cable gripper into suspension disk and pulling cable. Release cable gripper and tighten strain relief set screw to secure cable cable gripper, turning to just tight, **do NOT over tighten.**



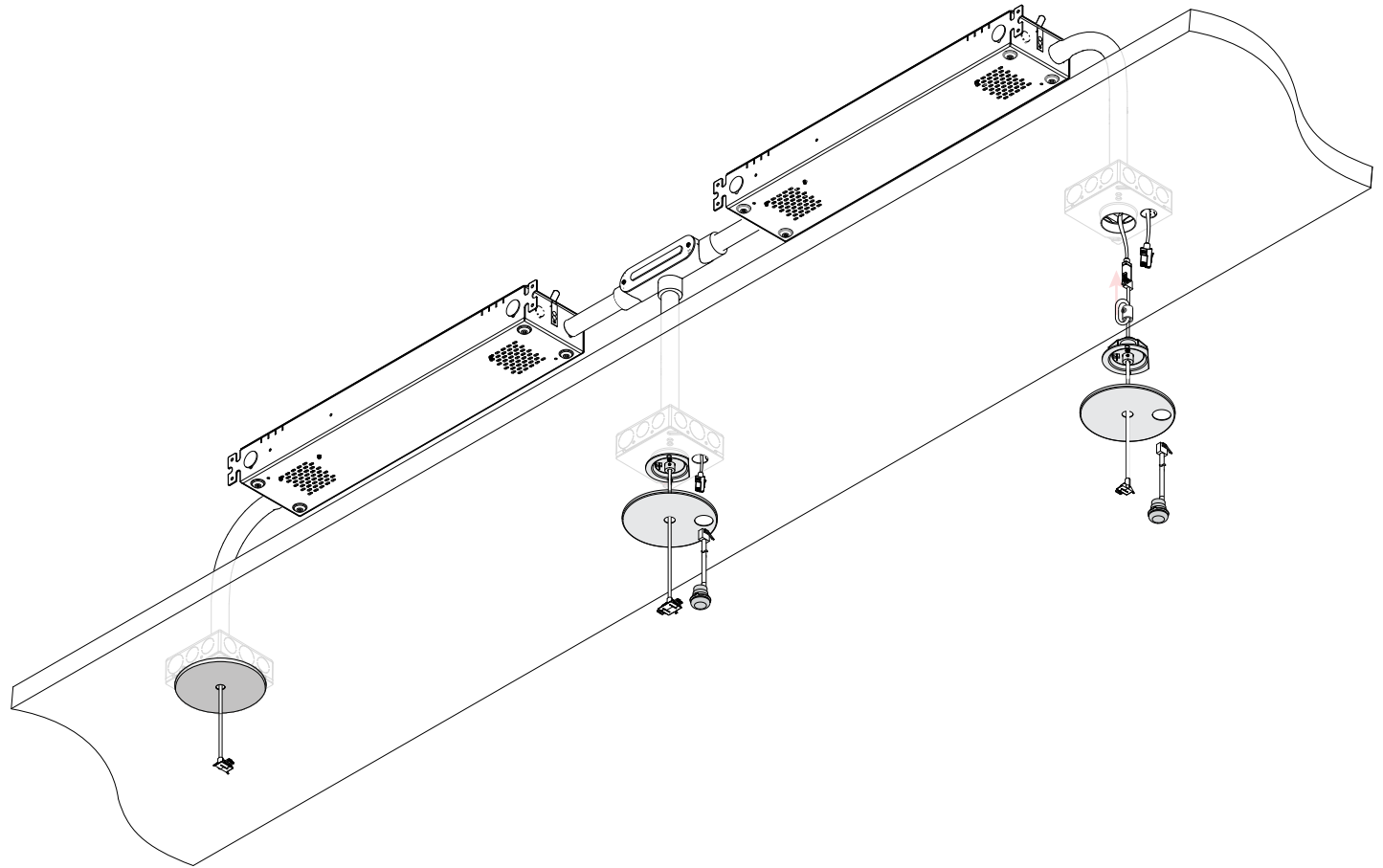
**Step 5: Install Canopy**

Connect fixture wire harness to hub/coupler assembly, as shown. Also connect the RJ45 connector of the sensor cable as well. Push remaining cable inside j-box.

Press suspension disk into universal mounting plate and fine tune cable length using cable gripper. When complete, secure suspension cable by gently tightening hex screw, detailed in step 4.

**Do not over tighten!**

Slide canopy up suspension cable to suspension disk. Magnets in suspension disk will secure canopy in place.



**Step 6: Install Rail**

Slide the rail onto the hub/coupler, paying special attention to which end is powered. Rail connection for powered end is labeled with an arrow.

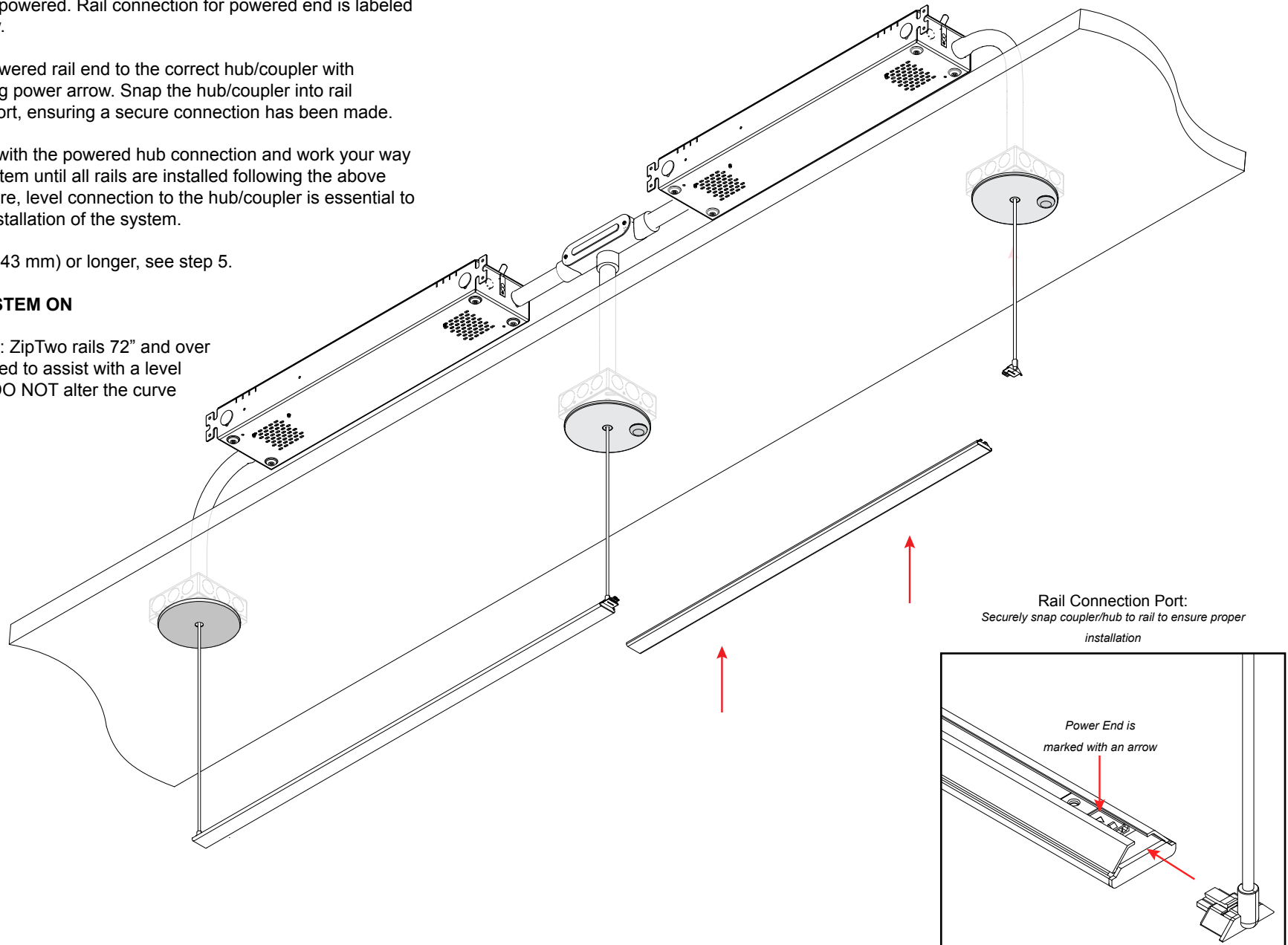
Match the powered rail end to the correct hub/coupler with corresponding power arrow. Snap the hub/coupler into rail connection port, ensuring a secure connection has been made.

Always start with the powered hub connection and work your way down the system until all rails are installed following the above steps. A secure, level connection to the hub/coupler is essential to the proper installation of the system.

If rail is 9' (2743 mm) or longer, see step 5.

**POWER SYSTEM ON**

**IMPORTANT:** ZipTwo rails 72" and over are sent curved to assist with a level installation. DO NOT alter the curve of the rail.

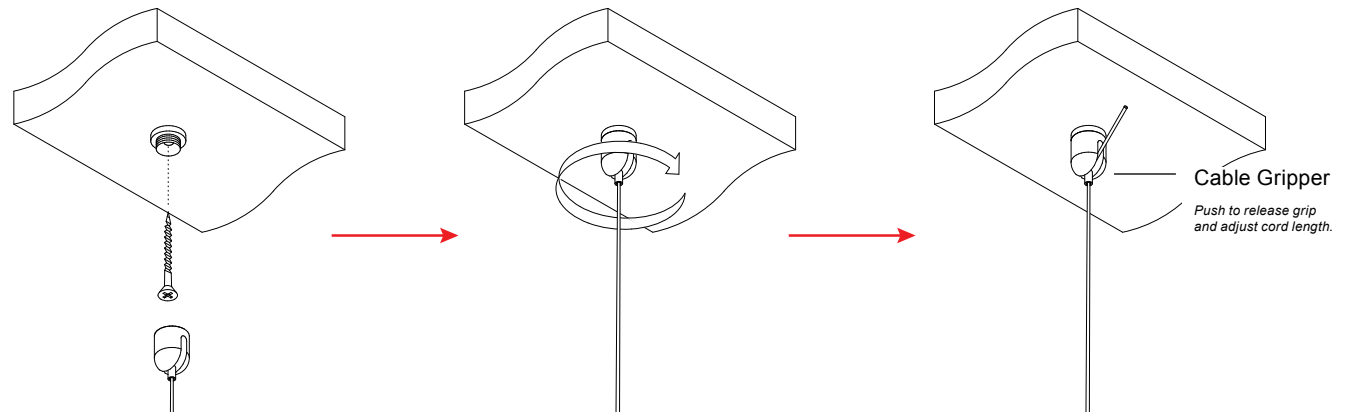


**Step 7. Install Suspension Support Cables  
only for rails 9' (2743 mm) to 12' (3658 mm)**

Carefully unscrew anchor from cable coupler. Using screw (*provided by others*), secure anchor at all locations. Screw cable coupler to back plate and loosely adjust cable gripper.

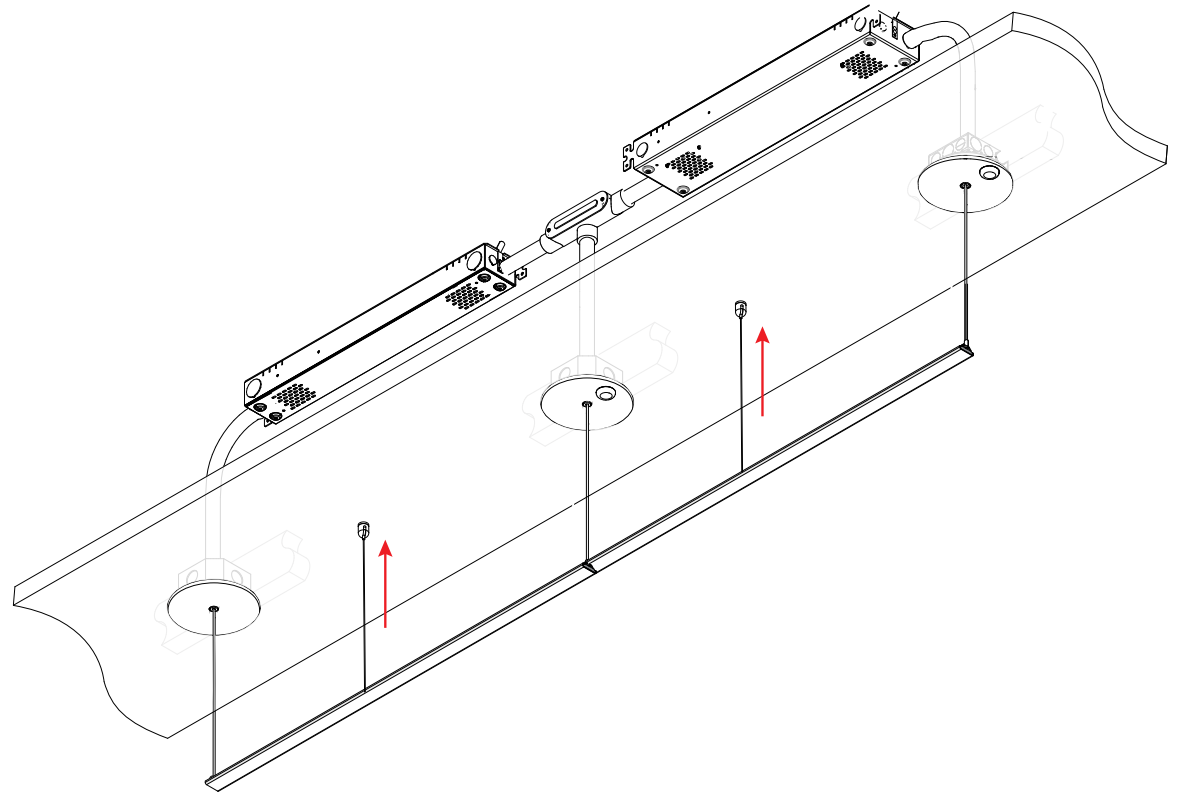
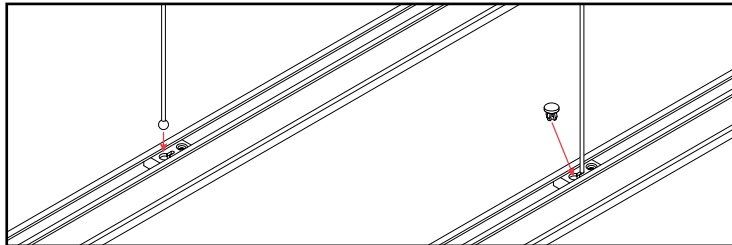
Install the included aircraft support cable into the rail, as shown below. Be sure to lock the cable in place using the provided plug.

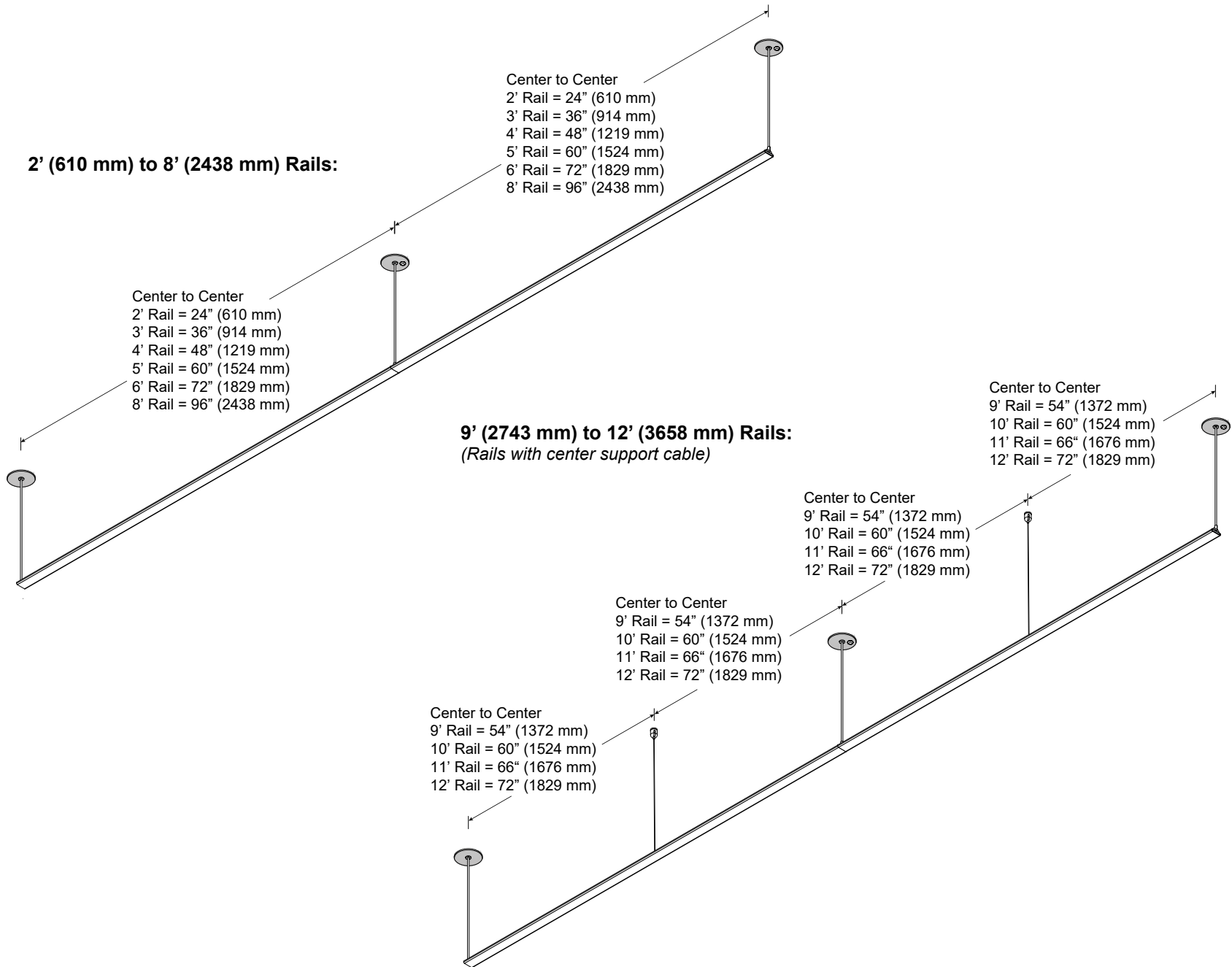
Adjust the levelness and straightness of the cables by adjusting the cable gripper and suspension points. Once complete, trim any excess aircraft cable hanging out, leaving at least 5 mm of excess cable.



**Cable Support Port:**

Install the included support cable into the rail, as shown below. Be sure to lock the cable in place using the provided plug.





## Install Remote Linear Power Supply

**IMPORTANT!** Before installing any power supply, turn off electricity at circuit box.

Vode recommends keeping track of which lids comes with which housing, as the lid contains important installation labeling.

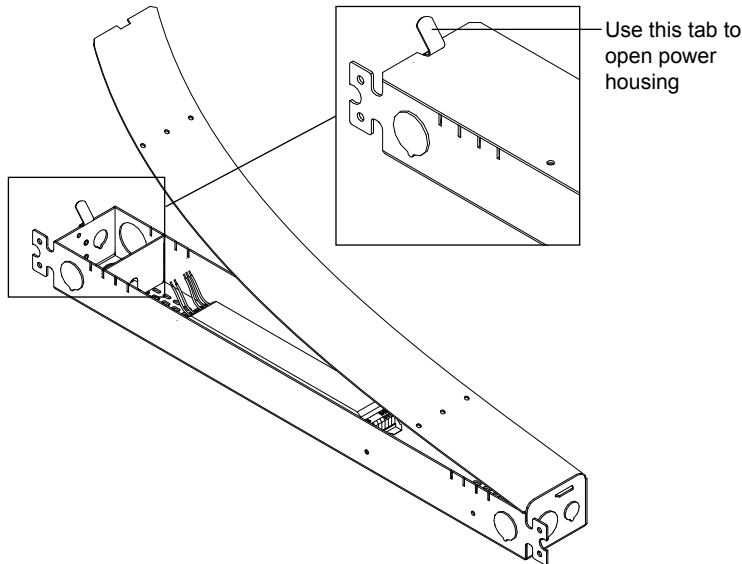
Using the indicated tab, remove power housing lid to access mounting points. Install power supply housing to desired surface using screws (*provided by others*). Run line, ground and neutral wiring and any applicable dimming controls into power housing through any provided knockout and secure in place, using conduit as necessary per local coding. Use wire nuts (*provided by others*) to make a secure connection between all wiring. (*The provided wire leads are 18 AWG solid core*).

Refer to sensor manufacturer’s install guide for detailed sensor calibration and configuration instructions.

**DO NOT** power on system until instructed.

For remote power supply maximum distance or other wiring questions, please consult Vode Power Guide.

**NOTE:** If power housing is supplied pre-wired with cord and plug and wire harness installed, skip above steps and power system when instructed by plugging system into a standard outlet.

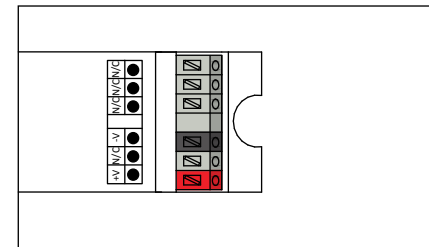


## Remote Driver Distance

All Vode linear remote drivers come in a 0.054” (1.4 mm) formed galvanized steel power supply housing with five (5) knockouts: (4) 1-1/8”, (1) 7/8” and (1) 9/16”. Power supply housing dimensions: 2 3/8” (56 mm) x 1 5/8” (33 mm) x 20 11/16” (525 mm)

Driver	Remote Distance
eldoLED	100’ (30.5 m)
Lutron	<b>See Power Guide</b>
Magnitude	100’ (30.5 m)
OSRAM	100’ (30.5 m)

For other wiring questions and driver specific information, see **Vode Remote Power Guide**.

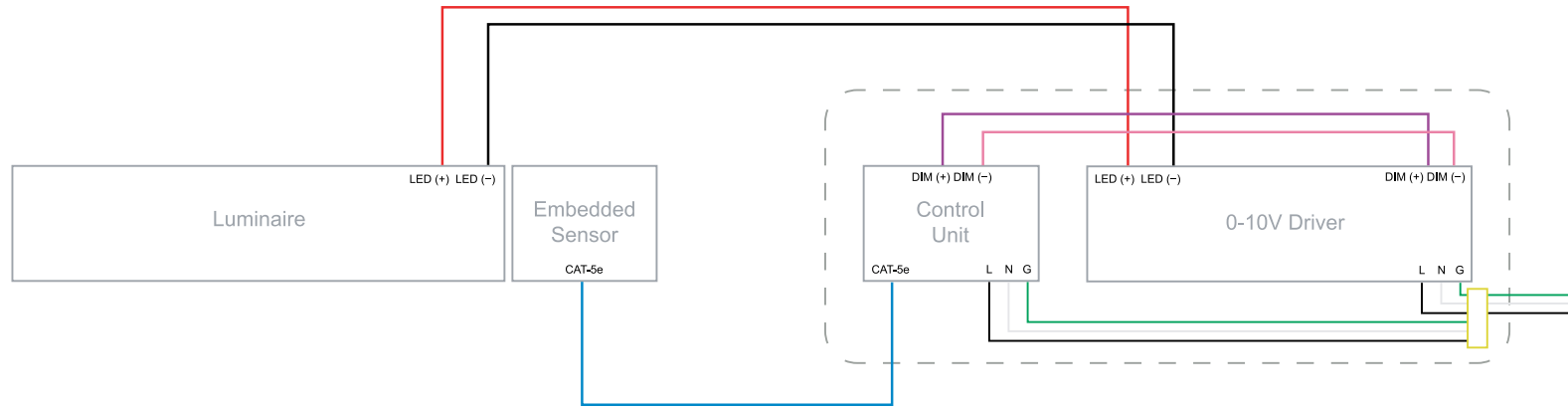


**Example Only**  
See Vode Remote Power Guide for wiring detail.

Sensor	Remote Distance
Enlighted Micro Sensor	100’ (30.5 m)
Legrand Wattstopper	100’ (30.5 m)
Lutron Athena	100’ (30.5 m)



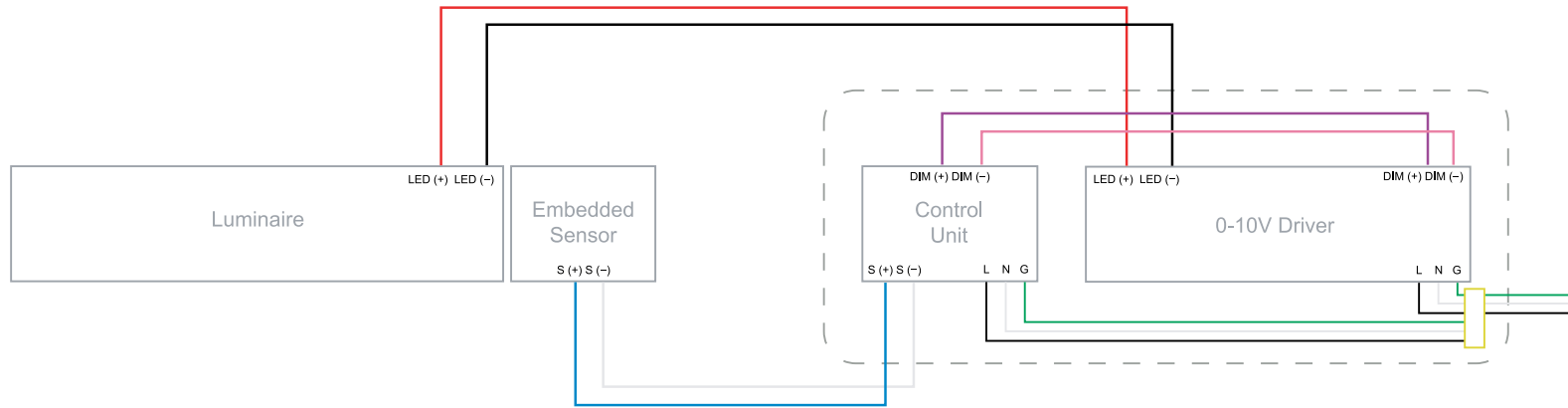
**A** 0-10V driver with control unit



**B** DALI D4i driver without control unit, 2-wire sensor kit



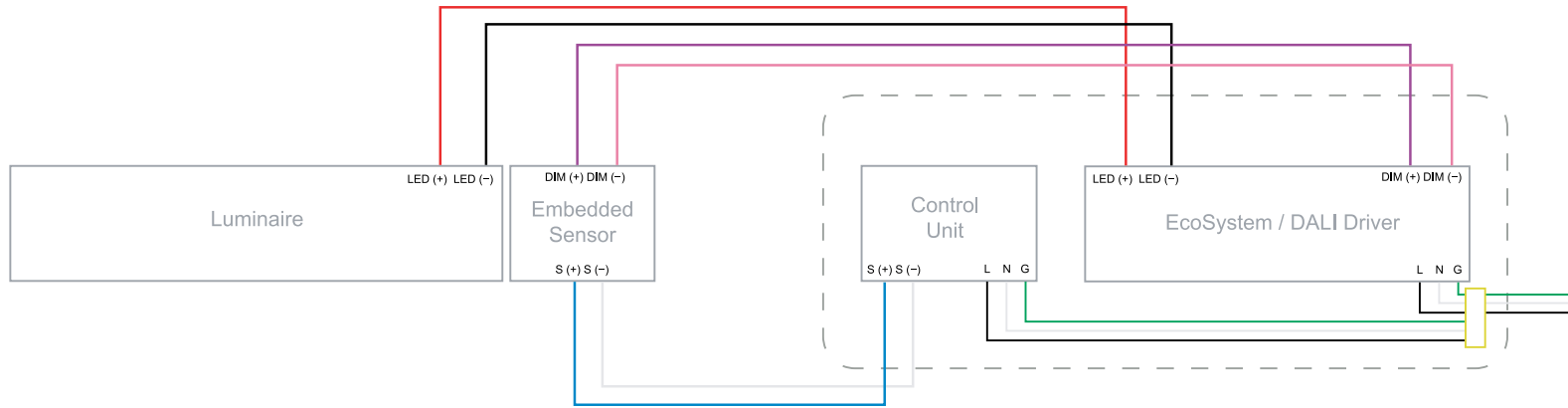
**A** 0-10V driver with control unit



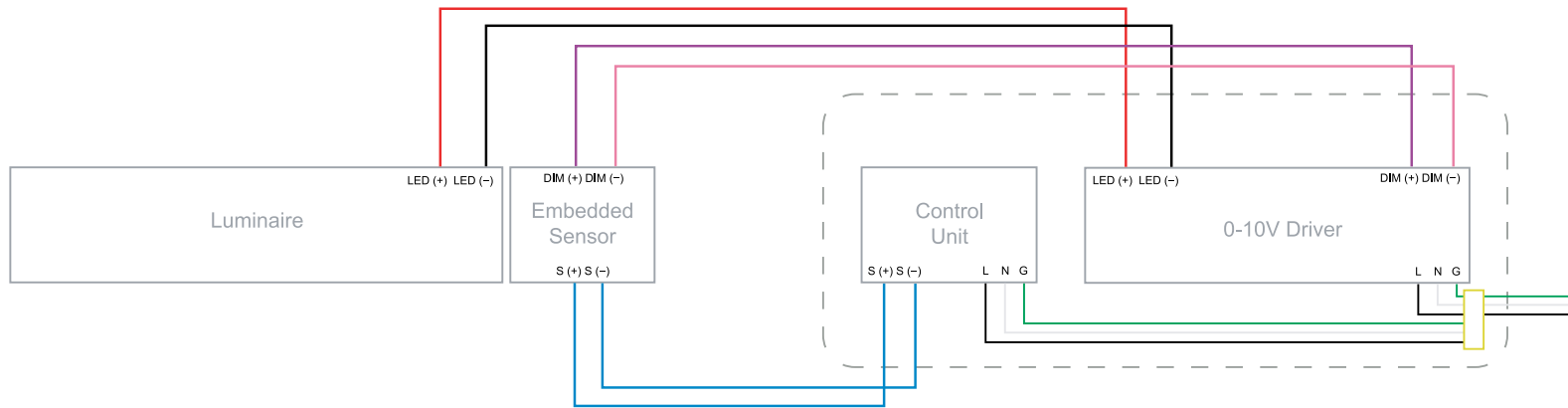
**B** DALI D4i driver without control unit



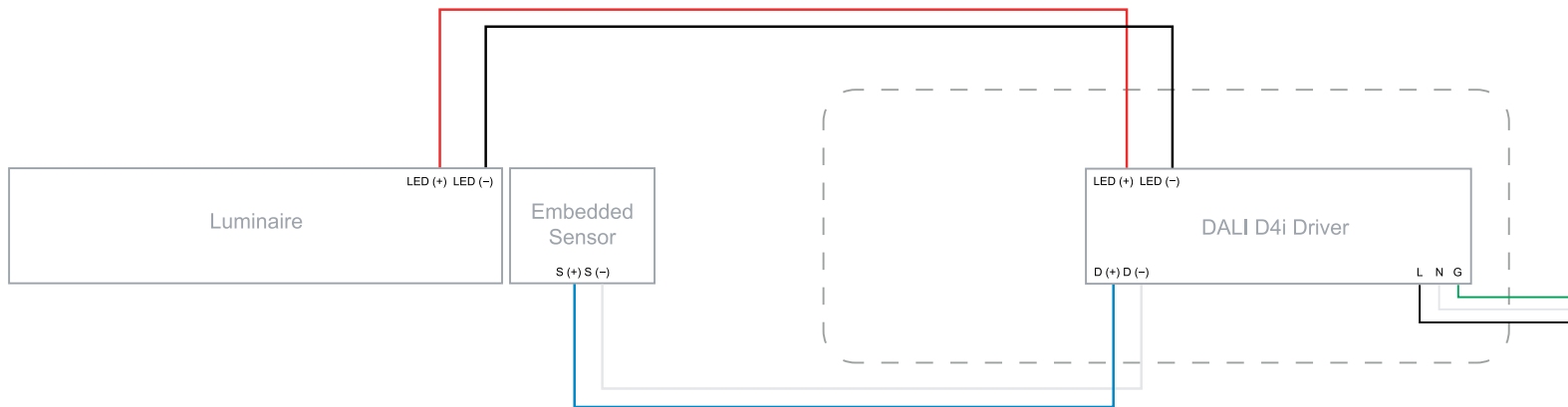
**A** Lutron Ecosystem or DALI driver with control unit



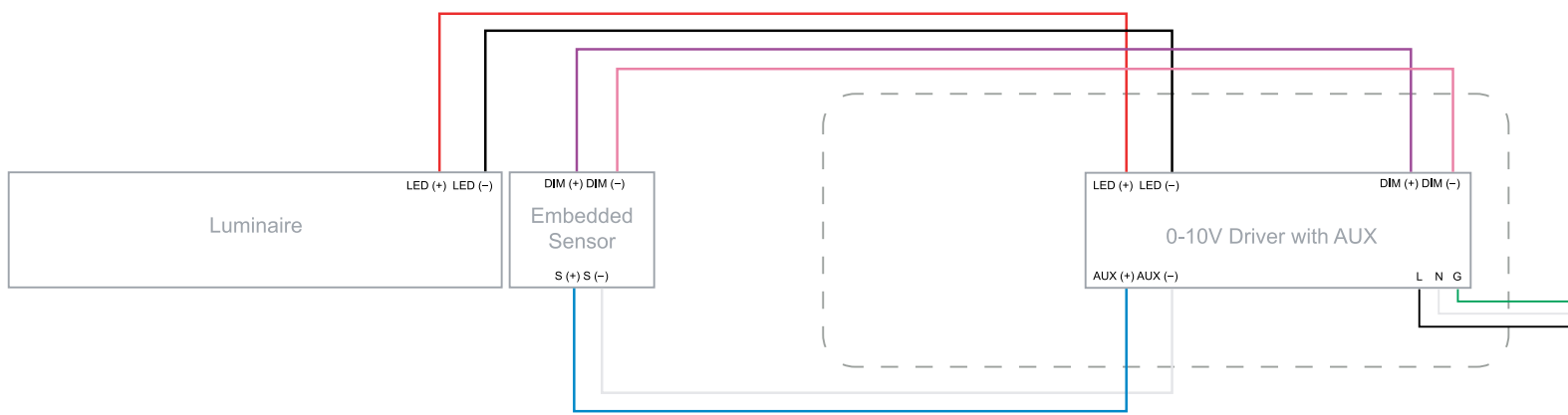
**B** 0-10V driver with control unit



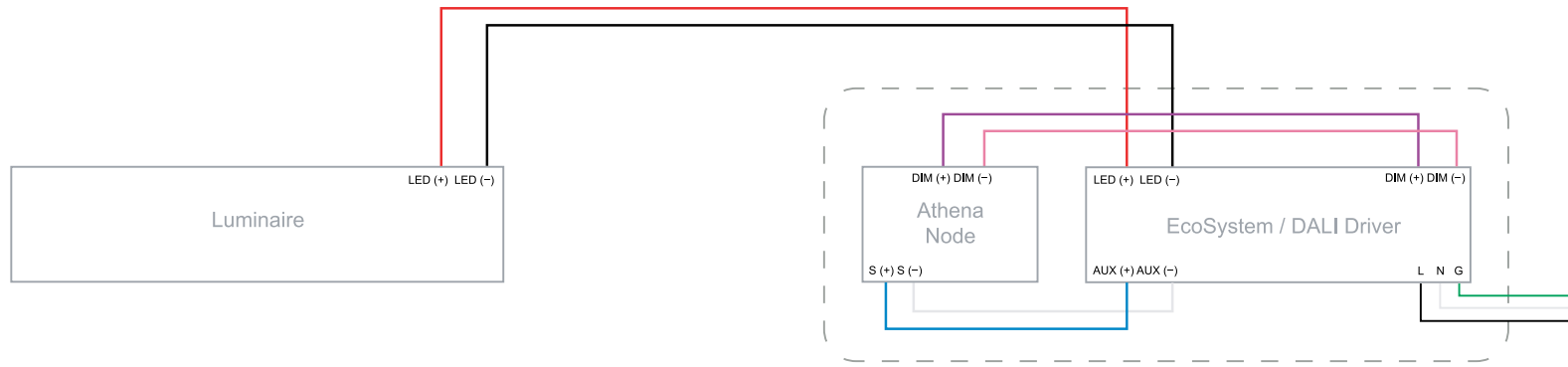
**C** DALI D4i driver without control unit



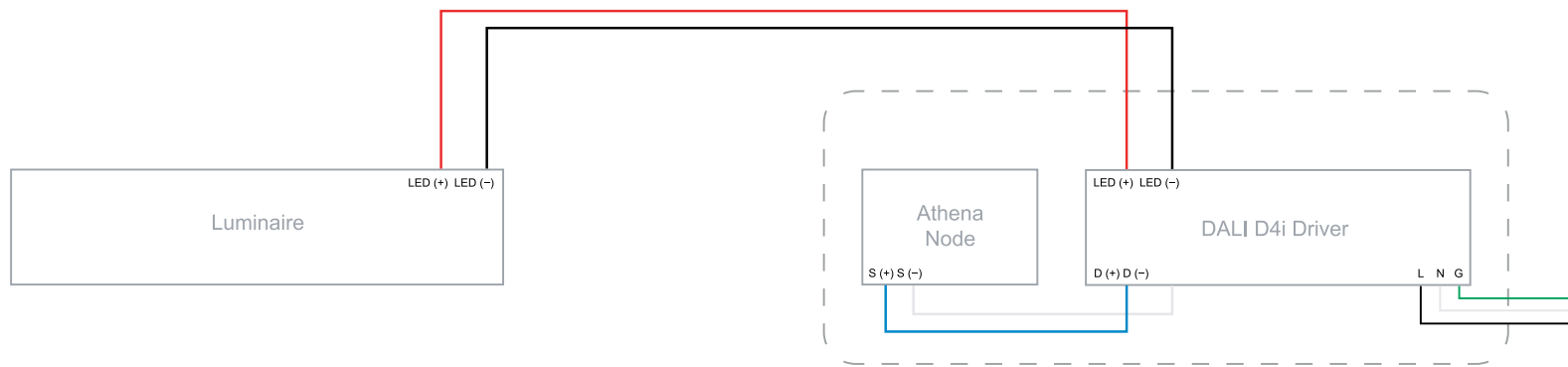
**D** 0-10V driver with AUX, no control unit



**E** 0-10V driver with AUX, node only



**F** D4i driver, node only



## Troubleshooting Guide

### My fixture will not turn on:

---

Check all wiring is correct and all connections are fastened properly.

If all wiring is correct, remove fixture and connect it to a known working driver.

If the fixture lights up, then the problem is with the installed driver or wiring:

- 1) Check line voltage to driver is present.
- 2) Check driver wiring (see **Vode Power Guide for details**) and check wiring to fixture.
- 3) Check driver and dimming system are compatible (see Vode Power Guide and the dimmer manufacturer's website).
- 4) Check that all rails are installed level to allow all power connections to be made properly. Levelness of the rail is essential.

If fixture still doesn't light up, check that all dimming wires are installed correctly. Reversed polarity on any driver will cause the entire system to not work, (see **Vode Power Guide for wiring details**).

### The fixture is not dimming properly:

---

Check all wiring is correct and all connections are fastened properly.

Check driver and sensor control wiring (see **Vode Power Guide, vodeCONNECT Brochure**) and the sensor control manufacturer's website for further details).

---

**For any help with installation or technical information, contact Vode Tech Service at 707-996-9898.**

## Important Notes

- Listed to UL standards for damp location by a Nationally Recognized Testing Laboratory (NRTL) recognized by OSHA
- Power Type: Class 2 (<60v) constant current driver.
- Dimming curve is factory preset to linear. Logarithmic is available upon request. See Vode Driver Guide for specific details and wiring diagram.
- Unless specified, one driver and one sensor per rail will be supplied.
- Please consult sensor manufacturer's product technical sheets for additional information.
- 5 Year Limited Warranty. All material and component parts manufactured by Vode are guaranteed to be free from defects of material and/or workmanship for a period of 5 years from date of sale. Product must be installed according to Vode installation instructions and accepted trade practices. Power supplies and other auxiliary equipment are not covered under Vode warranty but may be covered by separate OEM warranty.