



## Spec Guide

# ZipWave | Wall Cove | 707



Wall cove lighting system for wall wash and grazing applications.



ZipWave: indirect cove light.

## Benefits & Features

### Perfect Light Distribution

Optimized distribution, no tuning necessary. Designed for Armstrong® AXIOM® Indirect Light Coves and site-built coves.

### Superior Light Quality with High Efficiency

Output up to 1666 lm/ft (5465 lm/m) (HO), 132 lm/W (SO). 90 CRI & tunable white (2200K-6500K) available.

### Easy Installation, Minimal Electrical Circuits

Simply drops into cove with no tools required. Plug & play integral power and control circuits provided. Up to 533' can be powered with one 277v feed.

### Better Beam Performance

EdgeSoft™ lens for soft distribution down wall surface without reflected diode image.



Quick Connect Cables.



Fixture installed in AXIOM Classic-Edge cove

## Build Your Specification

|        |    |  |  |  |   |
|--------|----|--|--|--|---|
| 707-Z9 | SL |  |  |  | 0 |
|--------|----|--|--|--|---|

| System & Rail Type | System Type        | System Length                                   | Rail Length  | Mounting   | Arm/Cord Length |
|--------------------|--------------------|---|--|--|-----------------|
| 707-Z9 ZipWave     | SL Standard Linear | Specify overall system length in ft/in or M/mm. | <b>24</b> 24" (610mm)<br><b>36</b> 36" (914mm)<br><b>48</b> 48" (1219mm)<br><b>60</b> 60" (1524mm)<br><b>72</b> 72" (1829mm)<br><b>96</b> 96" (2438mm)<br><b>ZZ</b> Other rail length or layout (please specify) | <b>EW</b> Engineered Wall Cove<br><b>AW</b> Armstrong® Wall Cove<br><b>ZZ</b> Other (please specify) | <b>0</b> None   |

See [Rail Length Chart](#) for more details.

**⚠ Custom lengths may result in light gaps on the fixture. See [Rail Length Chart](#) for more details.**

|    |  |  |  |   |
|----|--|--|--|---|
| IP |  |  |  | Z |
|----|--|--|--|---|

| Power Location    | Power Type   | Voltage   | Emergency Power   | LED Type              |
|-------------------|--|---|---|-----------------------|
| IP Integral Power | <b>Integral Power</b><br><b>AE</b> 0-10V, 1.0% Dimming<br><b>AT</b> 0-10V, 0.1% Dimming<br><b>AD</b> DALI, 0.1% Dimming<br><b>AX</b> DMX, 100-0% Dimming<br><b>AH</b> Hi-lume 1% EcoSystem, Soft On / Fade to Black Technology, LDE <sup>1</sup><br><b>AH2</b> ELV 1% 2-wire (Forward and Reverse Phase)<br><br><b>ZZ</b> Other (please specify) | <b>1</b> 120v<br><b>2</b> 120v-277v<br><b>X</b> Not Yet Specified | <b>0</b> No Emergency Power<br><b>ZZ</b> Emergency Power (specify requirements) | <b>Z</b> Zipper Board |

See [Power Guide](#) for driver features & limitations.

|  |  |    |  |    |
|--|--|----|--|----|
|  |  | C1 |  | AL |
|--|--|----|--|----|

| Lumen Output  | Color Temperature  | Optics                         | Sensors  | Finish                   |
|---|--|--------------------------------|--|--------------------------|
| <b>LO</b> Low Output<br><b>SO</b> Standard Output<br><b>HO</b> High Output<br><b>ZZ</b> Other (please specify)<br>See <a href="#">IES Files</a> page for details.<br>See <a href="#">Power Guide</a> for driver features & limitations. | <b>90+ CRI</b><br><b>27</b> 2700K<br><b>30</b> 3000K<br><b>35</b> 3500K<br><b>40</b> 4000K<br><br><b>ZZ</b> Tunable White Available<br>See <a href="#">Guide</a> for details | <b>C1</b> Clear with EdgeSoft™ | <b>0</b> None<br><b>ZZ</b> Sensor (specify requirements) | <b>AL</b> Clear Anodized |

|         |
|---------|
| Options |
|---------|

- 0** None
- CPP** Chicago Plenum Power



### Jumper Cables Sold Separately

Vode offers a 2' (Part Number: PWH-707-Z9-24-MF-WJ) or 6' (Part Number: PWH-707-Z9-72-MF-WJ) jumper for corner installations. Please indicate on your order the type and quantity required.

Listed to UL standards for damp location by a Nationally Recognized Testing Laboratory (NRTL) recognized by OSHA. Certain limitations exist for each Certification. Contact factory for verification.

Standard 5 Year Limited Warranty. See details [here](#). Contact factory for options on Limited Warranties up to 20 years.



## Applications

### General Interior and Open Office



Airbnb 650 Townsend, San Francisco, CA



BioMed Center New England, Providence, RI



Sustainability & Certifications

**DECLARE**

**International Living Future Institute (ILFI)**



All Vode Lighting linear light fixtures proudly carry the Red List Approved designation.



**Vode Adaptive Architectural Lighting Systems**  
**Vode Lighting LLC**

**Final Assembly:** Sonoma, California, US  
**Life Expectancy:** 10+ Year(s)  
**End of Life Options:** Recyclable (100%)

**Ingredients:**

Steel; Anodized Aluminum (6063-T5 Alloy); Small Electrical Component (RoHS); Copper; **Fluorinated Ethylene Propylene (masterbatch)**; Polymethyl methacrylate (PMMA); Stainless Steel; Polyoxymethylene Copolymer (POM); Styrene-butadiene polymer, hydrogenated; Poly(methyl methacrylate/butyl acrylate/styrene) (PMMA/BA/S); Styrene/butadiene copolymer; Distillates; Polypropylene; Calcium carbonate; Polycarbonate; EVA Copolymer; Methyl methacrylate (MMA); Polyphenylene Oxide; Brass; Tin, Organic

**Living Building Challenge Criteria:** Compliant

**I-13 Red List:**  
 LBC Red List Free      % Disclosed: 100% at 100ppm  
 LBC Red List Approved      VOC Content: Not Applicable  
 Declared

**I-10 Interior Performance:** Not Applicable  
**I-14 Responsible Sourcing:** Not Applicable

VDE-0001  
 EXP. 01 FEB 2026  
 Original Issue Date: 2018

MANUFACTURER RESPONSIBLE FOR LABEL ACCURACY  
 INTERNATIONAL LIVING FUTURE INSTITUTE™ [living-future.org/declare](http://living-future.org/declare)

Click here to learn more: [International Living Future Institute](http://International Living Future Institute)

**TM65NA**

**CIBSE & ASHRAE on Embodied Carbon**

Vode recognizes TM65NA as the highest standard for understanding the embodied carbon of our fixtures.

Developed with ASHRAE, it adapts CIBSE's TM65 for North America, ensuring accurate regional assessments. It must be used alongside TM65 and follows TM65LA's framework.

**System:** 707 | ZipWave | Wall Cove  
**Embodied Carbon (kg CO<sub>2</sub>e):** 44.38\*

\***Note:** Embodied Carbon, expressed in kilograms of CO<sub>2</sub>e is calculated using a 48" fixture and includes the LED driver.



Click here to learn more [CIBSE](#), [ASHRAE](#).

**BAA X BABA**

**Buy American Act / Build America & Buy America Act Compliance**

Vode is dedicated to supporting domestic manufacturing and ensuring compliance with BAA and BABA requirements.

Given the complexity of our products, we recommend reaching out to [vodecares@vode.com](mailto:vodecares@vode.com) for confirmation regarding compliance for your specific project.



Click here to learn more: [US Department of Commerce](http://US Department of Commerce)

## Applications

Vode supplies ZipWave cove product only. Armstrong cove products supplied by Armstrong.

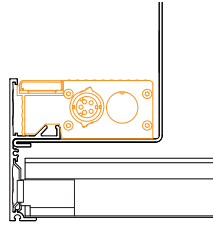
### Armstrong® AXIOM® Indirect Light Cove, Ceiling-to-Wall

ZipWave perfectly integrates into Armstrong AXIOM Indirect Light Coves and Field Coves to provide seamless light quality in office, hospitality, civic and retail applications.

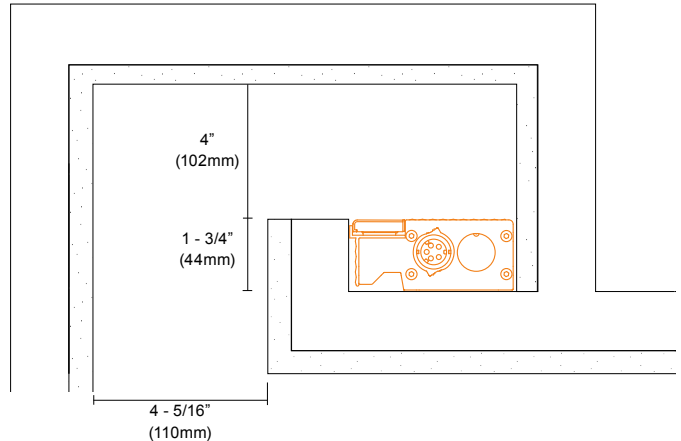
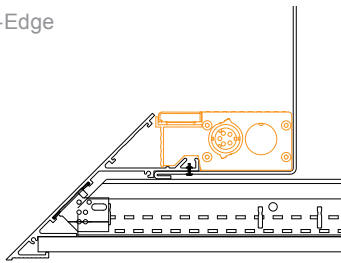
### Engineered or Site-built Wall Cove

ZipWave can easily be placed into a wide variety of engineered commercial lighting coves and site-built coves. Up to 533 feet (162m) of Low Output fixtures can be powered by a single 277v power feed.

Classic-Edge



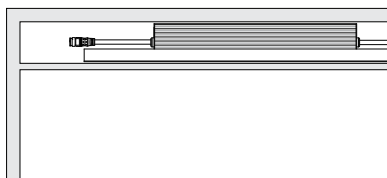
Knife-Edge



## Corner Layout

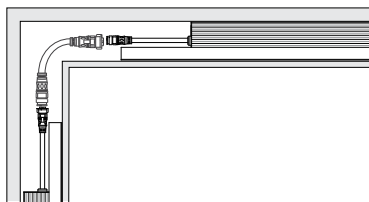
Single Row End

3-6"  
(76-152mm)



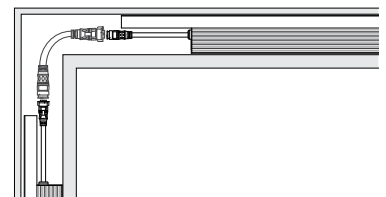
Inside Corner

3-6"  
(76-152mm)



Outside Corner

0-6"  
(0-152mm)



### Jumper Cables Sold Separately:

Vode offers a 2' (Part Number: PWH-707-Z9-24-MF-WJ) or 6' (Part Number: PWH-707-Z9-72-MF-WJ) jumper for corner installations. Please indicate on your order the type and quantity required.

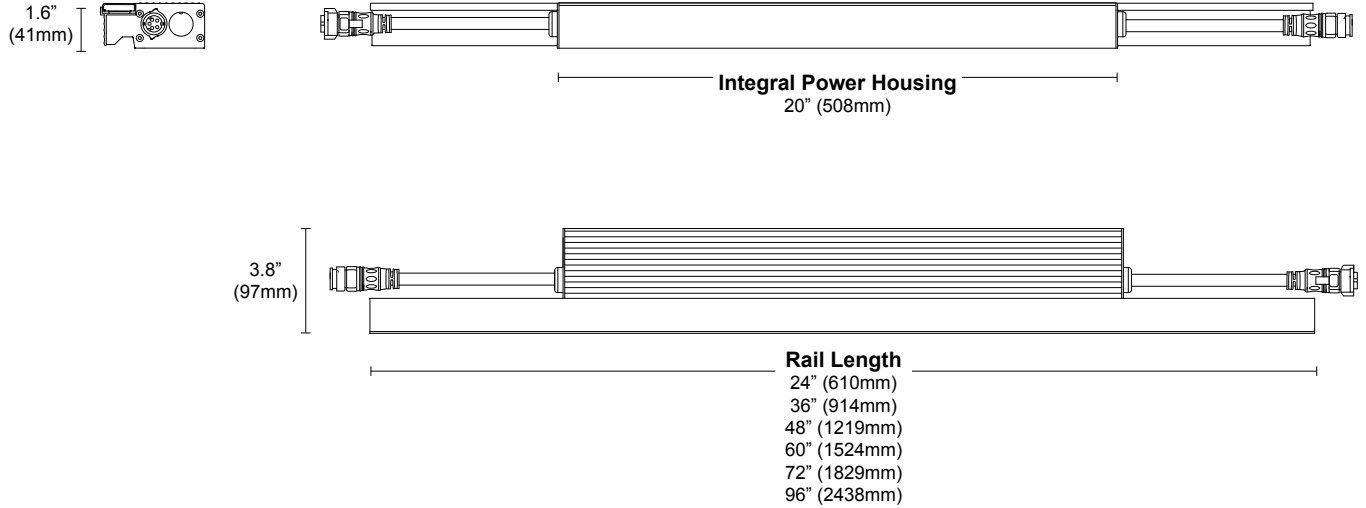
## Structure

|                       |  |
|-----------------------|--|
| Rail Lengths          | 24" (610mm) - 96" (2438mm). 3Modified lengths available. See <a href="#">Rail Length Chart</a> for more details.               |
| Rail Dimensions       | 1.6" (41mm) x 3.8" (97mm) x length.  |
| Construction          | Extruded and machined 6063 aluminum.   |
| Mounting              | Integral power housing compatible with Armstrong AXIOM Indirect Light Coves, and Field Coves, engineered and site-built coves. |
| System Run Length     | 24" (610mm) minimum. Unlimited maximum.  |
| Operating Temperature | 32°F to 104°F (0°C to 40°C).   |
| Humidity              | 0-95%, non-condensing.   |
| Weight                | 1.1 lbs per ft (0.50kg per 305mm). Weight will vary slightly due to driver selection.  |

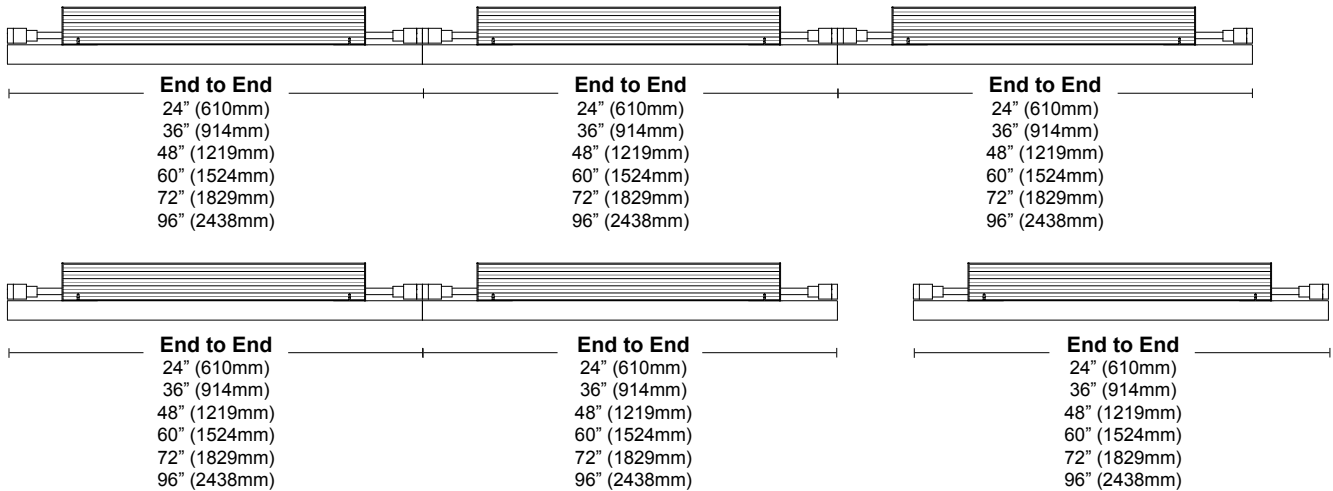
## Materials

|                        |  |
|------------------------|--|
| LED Board Construction | Aluminum core PCB, black LCP connectors, RoHS compliant.         |
| Lens                   | High-impact extruded acrylic glass (PMMA).                       |
| Cable                  | Ø8mm, 6 wire, UL21388, Mylar Black with UV resistant PVC jacket. |

## Dimensions



## Layout



## System Length per Power Feed

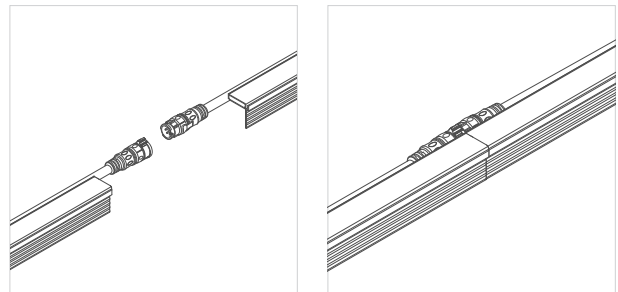
### 24" - 72" Rail Lengths

| Input Voltage | Output      |            |            |
|---------------|-------------|------------|------------|
|               | LO          | SO         | HO         |
| 120           | 267' (81m)  | 134' (40m) | 67' (20m)  |
| 277           | 615' (187m) | 308' (93m) | 154' (46m) |

### 96" Rail Lengths (any system that contains at least one 96" rail)

| Input Voltage | Output      |            |            |
|---------------|-------------|------------|------------|
|               | LO          | SO         | HO         |
| 120           | 209' (63m)  | 107' (32m) | 54' (16m)  |
| 277           | 481' (146m) | 247' (75m) | 124' (37m) |

## Quick Connect Cables



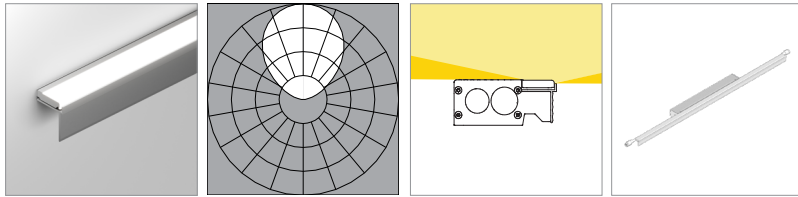
## Power and Controls

|                |  |
|----------------|--|
| Power Type     | Class 2 (<60V output) constant current driver.   |
| Controls       | Dimming (0.1%, 1%), 0-10V, DALI, DMX, Hi-lume 1% are available. See <a href="#">Power Guide</a> for details. |
| Input Voltage  | 120V - 277V, 50/60hz.  |
| Power Location | Integral power only. Power cable is 27" (686mm) with 7.875" (200mm) male-male jumper.                        |

## Performance | Zipper Board Optics

Zipper Board Optics design has 72 diodes per foot (305mm).

Clear with EdgeSoft (C1), fixture only



L80 >60,000 hours

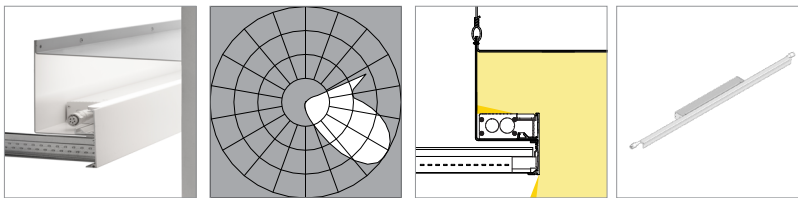
**90 CRI (90min., 96 avg.)**

| <b>Low Output (LO)</b>     | 2700K | 3000K | 3500K | 4000K |
|----------------------------|-------|-------|-------|-------|
| Efficacy - Lumens per Watt | 109   | 112   | 114   | 119   |
| Lumens per foot (305mm)    | 402   | 415   | 423   | 428   |
| Watts per foot (305mm)     | 3.8   | 3.8   | 3.8   | 3.8   |

| <b>Standard Output (SO)</b> | 2700K | 3000K | 3500K | 4000K |
|-----------------------------|-------|-------|-------|-------|
| Efficacy - Lumens per Watt  | 122   | 126   | 129   | 134   |
| Lumens per foot (305mm)     | 804   | 830   | 847   | 855   |
| Watts per foot (305mm)      | 6.7   | 6.7   | 6.7   | 6.7   |

| <b>High Output (HO)</b>    | 2700K | 3000K | 3500K | 4000K |
|----------------------------|-------|-------|-------|-------|
| Efficacy - Lumens per Watt | 112   | 116   | 118   | 123   |
| Lumens per foot (305mm)    | 1499  | 1546  | 1577  | 1593  |
| Watts per foot (305mm)     | 13.5  | 13.5  | 13.5  | 13.5  |

Clear with EdgeSoft (C1), in cove<sup>1</sup>



L80 >60,000 hours

**90 CRI (90min., 96 avg.)**

| <b>Low Output (LO)</b>     | 2700K | 3000K | 3500K | 4000K |
|----------------------------|-------|-------|-------|-------|
| Efficacy - Lumens per Watt | 52    | 53    | 54    | 55    |
| Lumens per foot (305mm)    | 191   | 197   | 201   | 203   |
| Watts per foot (305mm)     | 3.8   | 3.8   | 3.8   | 3.8   |

| <b>Standard Output (SO)</b> | 2700K | 3000K | 3500K | 4000K |
|-----------------------------|-------|-------|-------|-------|
| Efficacy - Lumens per Watt  | 58    | 60    | 61    | 62    |
| Lumens per foot (305mm)     | 382   | 394   | 402   | 406   |
| Watts per foot (305mm)      | 6.7   | 6.7   | 6.7   | 6.7   |

| <b>High Output (HO)</b>    | 2700K | 3000K | 3500K | 4000K |
|----------------------------|-------|-------|-------|-------|
| Efficacy - Lumens per Watt | 54    | 56    | 57    | 58    |
| Lumens per foot (305mm)    | 725   | 748   | 763   | 771   |
| Watts per foot (305mm)     | 13.5  | 13.5  | 13.5  | 13.5  |

### NOTES & LIMITATIONS

<sup>1</sup>Based on testing 4' rail section placed inside 4' cove section of an Armstrong AXIOM Indirect Light Cove, classic profile. Lumen measurement complies with IES-LM-79-08 testing procedures.

Copyright © 2025 Vode Lighting LLC. All rights reserved. Vode, the Vode logo, BoxRail, FlyWing, MicroBaffle, Button Board, Zipper Board, Zero Canopy, Zero Block, VodeNODE and other names are either registered trademarks or trademarks of Vode Lighting LLC in the United States and may be registered in other countries. All other trademarks listed herein belong to their respective owners. Due to ongoing innovation, specification details may change without notice.