



## Spec Guide

# ZipOne | 707



Accent or task lighting for under cabinet, cove and reveal accent.



ZipOne: direct or indirect, task and cove light.

### Benefits & Features

#### Micro Profile, Robust design

Flat profile. 0.3 in x 1.14 in.

#### Superior Light Quality & Performance

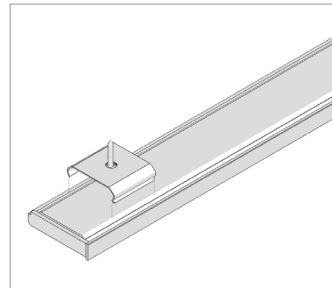
Output up to 1255 lm/ft (HO), 128 lm/W (HO). 90 CRI Static, 90 CRI RGBW & 90 CRI tunable white 2200K - 5000K. Custom ranges available upon request.

#### Versatile Mounting Options, Easy Installation

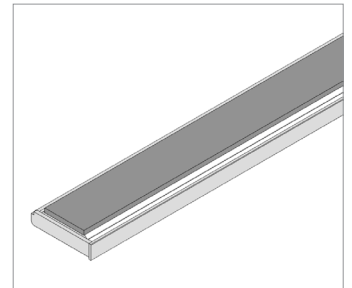
Magnet with tape-on ferrous strip or low profile clip allow for mounting to almost any surface.

#### Better Optics & Beam Control

100° beam distribution with EdgeSoft™ lens for excellent cutoff and glare control.



Clip



Magnet

# Build Your Specification

|               |           |  |  |  |             |
|---------------|-----------|--|--|--|-------------|
| <b>707-Z1</b> | <b>SL</b> |  |  |  | <b>0</b> ▶▶ |
|---------------|-----------|--|--|--|-------------|

| System & Rail Type | System Type        | System Length  | Rail Length   | Mounting  | Arm/Cord Length |
|--------------------|--------------------|--|---|---|-----------------|
| 707-Z1 ZipOne      | SL Standard Linear | Specify overall system length in ft/in or M/mm.<br><br><i>Corner and Shapes Available See Guide for details.</i> | <b>24</b> 24" (610mm)<br><b>36</b> 36" (914mm)<br><b>48</b> 48" (1219mm)<br><b>60</b> 60" (1524mm)<br><b>72</b> 72" (1829mm)<br><b>96</b> 96" (2438mm)<br><b>ZZ</b> Other rail length or layout (please specify)<br>See <a href="#">Rail Length Chart</a> for more details.<br>▲ <b>Custom lengths may result in light gaps on the fixture. See Rail Length Chart for more details.</b> | <b>C</b> Clip<br><b>T</b> Magnet with Tape-On Metal Strip<br><b>ZZ</b> Other (please specify) | <b>0</b> None   |

|    |  |  |  |    |
|----|--|--|--|----|
| ▶▶ |  |  |  | ▶▶ |
|----|--|--|--|----|

| Power Location  | Power Type   | Voltage   | Emergency Power   |
|---|--|---|---|
| PP Portable Power   | Portable Power   | <b>1</b> 120V<br><b>2</b> 120V - 277V<br><b>4</b> 120V - 240V<br><b>X</b> Not Yet Specified | <b>0</b> No Emergency Power<br><b>ZZ</b> Emergency Power (specify requirements) |
| Remote Power  | WP Wall Plug with On/Off Switch <sup>2</sup><br>Flexible 1 to 1 Power<br>AE 0-10V, 1.0% Dimming<br>AT 0-10V, 0.1% Dimming<br>AD DALI, 0.1% Dimming<br>AX DMX, 100-0% Dimming<br>AH Hi-lume 1% EcoSystem, Soft On / Fade to Black Technology, LDE <sup>1</sup><br>AH2 ELV 1% 2-wire (Forward and Reverse Phase)<br>Optimized Power<br>Add 'O' to power type example: AEO, ATO...etc. <sup>3</sup><br>VodeNODE<br>Add 'N' to power type for Flexible 1 to 1 Power<br>Add 'ON' to power type for Optimized Power example: AEN, ATN, AEON, ADON...etc. <sup>4</sup><br>ZZ Other (please specify)<br>See <a href="#">Power Guide</a> for driver features & limitations. |   |   |
| RP10 10' (3.048m) Wire Harness<br>RP25 25' (7.62m) Wire Harness<br>RP50 50' (15.24m) Wire Harness<br>RP75 75' (22.86m) Wire Harness<br>RP100 100' (30.48m) Wire Harness |  |   |   |

|    |          |  |           |  |           |
|----|----------|--|-----------|--|-----------|
| ▶▶ | <b>Z</b> |  | <b>A2</b> |  | <b>AL</b> |
|----|----------|--|-----------|--|-----------|

| LED Type       | Lumen Output  | Color Temperature   | Optics             | Sensors  | Finish            |
|----------------|---|---|--------------------|--|-------------------|
| Z Zipper Board | LO Low Output<br>SO Standard Output<br>HO High Output<br>ZZ Other (please specify)<br>See <a href="#">IES Files</a> page for details.<br>See <a href="#">Power Guide</a> for driver features & limitations. | 90+ CRI<br>27 2700K<br>30 3000K<br>35 3500K<br>40 4000K<br>RGBW 90+ CRI<br>C279 RGB Color, 2700K<br>C309 RGB Color, 3000K<br>C359 RGB Color, 3500K<br>C409 RGB Color, 4000K<br>ZZ Tunable White Available<br>See <a href="#">Guide</a> for details. | A2 100° Asymmetric | 0 None<br>ZZ Other (please specify) <sup>5</sup> | AL Clear Anodized |

|    |
|----|
| ▶▶ |
|----|

**Options**

|            |  |
|------------|--|
| <b>3</b>   | 3.5" (89mm) Fixture Cord               |
| <b>9</b>   | 9' 18/3 Cord and Plug <sup>6</sup>     |
| <b>18</b>  | 18" (457mm) Fixture Cord               |
| <b>36</b>  | 36" (914mm) Fixture Cord               |
| <b>CPS</b> | Chicago Plenum Fixture Adapter & Power |
| <b>CPP</b> | Chicago Plenum Power                   |
| <b>CPA</b> | Chicago Plenum Fixture Adapter         |

**NOTES & LIMITATIONS**

- <sup>1</sup> WP is only available with Low Output (LO) and 120V - 240V in 36" and 48" Rail Lengths.
- <sup>2</sup> Wall plug (WP) version is 120V - 240V.
- <sup>3</sup> Optimized Power is not available with Hi-lume 1% EcoSystem (AHO) Power Type.
- <sup>4</sup> VodeNODE enclosure is not available with ELV 1% 2-wire (AH2) Power Type.
- <sup>5</sup> Sensors are available please contact Vode for more information.
- <sup>6</sup> 9' 18/3 Cord and Plug only available with Remote Power (RP). Contact factory for Chicago Plenum.

Listed to UL standards for damp location by a Nationally Recognized Testing Laboratory (NRTL) recognized by OSHA. Certain limitations exist for each Certification. Contact factory for verification.

Standard 5 Year Limited Warranty. See details [here](#). Contact factory for options on Limited Warranties up to 20 years.



# Applications

## Museum and Residential



MoMA, New York, NY



MoMA, New York, NY



Boatswain's Way, Chelsea, MA



## Sustainability & Certifications

### DECLARE

#### International Living Future Institute (ILFI)

Red List Approved

All Vode Lighting linear light fixtures proudly carry the Red List Approved designation.



#### Vode Adaptive Architectural Lighting Systems Vode Lighting LLC

**Final Assembly:** Sonoma, California, US  
**Life Expectancy:** 10+ Year(s)  
**End of Life Options:** Recyclable (100%)

#### Ingredients:

Steel; Anodized Aluminum (6063-T5 Alloy); Small Electrical Component (RoHS); Copper; **Fluorinated Ethylene Propylene (masterbatch)**; Polymethyl methacrylate (PMMA); Stainless Steel; Polyoxymethylene Copolymer (POM); Styrene-butadiene polymer, hydrogenated; Poly(methyl methacrylate/butyl acrylate/styrene) (PMMA/BA/S); Styrene/butadiene copolymer; Distillates; Polypropylene; Calcium carbonate; Polycarbonate; EVA Copolymer; Methyl methacrylate (MMA); Polyphenylene Oxide; Brass; Tin, Organic

**Living Building Challenge Criteria:** Compliant

#### I-13 Red List:

- LBC Red List Free                      % Disclosed: 100% at 100ppm
- LBC Red List Approved              VOC Content: Not Applicable
- Declared

**I-10 Interior Performance:** Not Applicable

**I-14 Responsible Sourcing:** Not Applicable

VDE-0001  
EXP. 01 FEB 2026  
Original Issue Date: 2018

MANUFACTURER RESPONSIBLE FOR LABEL ACCURACY  
INTERNATIONAL LIVING FUTURE INSTITUTE™ [living-future.org/declare](http://living-future.org/declare)

Click here to learn more: [International Living Future Institute](http://International Living Future Institute)

### TM65NA

#### CIBSE & ASHRAE on Embodied Carbon

Vode recognizes TM65NA as the highest standard for understanding the embodied carbon of our fixtures.

Developed with ASHRAE, it adapts CIBSE's TM65 for North America, ensuring accurate regional assessments. It must be used alongside TM65 and follows TM65LA's framework.

**System:** 707 | ZipOne | Surface Mount  
**Embodied Carbon (kg CO<sub>2</sub>e):** 28.65\*

\***Note:** Embodied Carbon, expressed in kilograms of CO<sub>2</sub>e is calculated using a 48" fixture and includes the LED driver.



Click here to learn more [CIBSE](#), [ASHRAE](#).

### BAA X BABA

#### Buy American Act / Build America & Buy America Act Compliance

Vode is dedicated to supporting domestic manufacturing and ensuring compliance with BAA and BABA requirements.

Given the complexity of our products, we recommend reaching out to [vodecares@vode.com](mailto:vodecares@vode.com) for confirmation regarding compliance for your specific project.



Click here to learn more: [US Department of Commerce](http://US Department of Commerce)

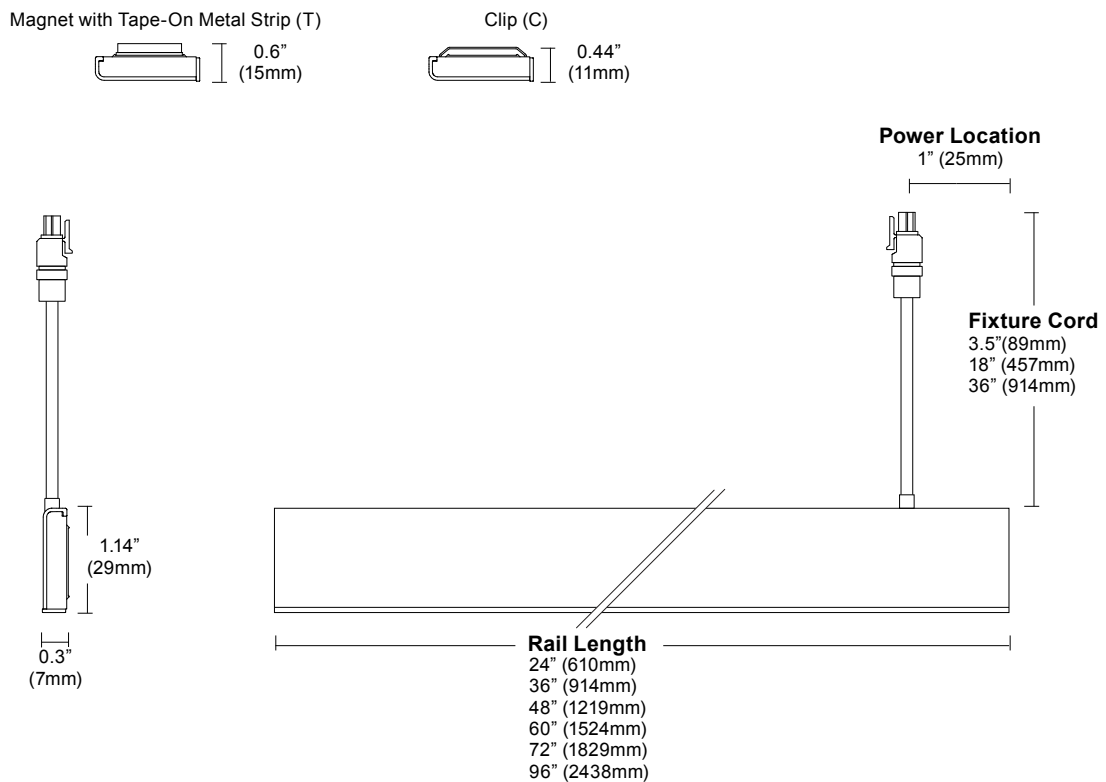
## Structure

|                       |   |
|-----------------------|---|
| Rail Lengths          | 24" (610mm) - 96" (2438mm). Modified lengths available. See <a href="#">Rail Length Chart</a> for more details. |
| Rail Dimensions       | 0.3" (7mm) x 1.14" (29mm). x length.  |
| Construction          | Extruded and machined 6063 aluminum.  |
| Mounting              | Various permanent and portable mounting options.  |
| System Run Length     | 24" (610mm) minimum. Unlimited maximum.   |
| Operating Temperature | 32°F to 104°F (0°C to 40°C).  |
| Humidity              | 0-95%, non-condensing. Suitable for damp locations.   |
| System Weight         | 0.26lbs per ft (0.12kg per 305mm). Power supply and housing not included.                                       |

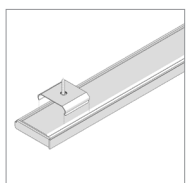
## Materials

|                                   |   |
|-----------------------------------|---|
| LED Board Construction            | Aluminum core PCB, black LCP connectors, RoHS compliant.  |
| Lens                              | High-impact extruded acrylic glass (PMMA).  |
| Power Cable                       | Ø4mm, 18/2 AWG, Plenum (CMP) rated semi-rigid PVC or FEP, flame tested UL-910 ( <i>PVC free in 2020</i> ).            |
| Cable Connectors                  | Unfilled black nylon, rated UL 94 V-0, halogen free, PVC or FEP overmold, RoHS compliant ( <i>PVC free in 2020</i> ). |
| Remote Linear Power Housing (RLP) | 20.7" x 2.375" x 2.53", 0.054" formed Galvanized Steel.   |
| Remote Brick Power Housing (RBP)  | 4.32" x 3.37" x .078" Galvanized Steel mounting plate.  |

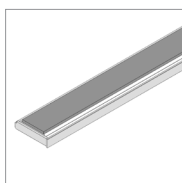
## Dimensions



## Mounting Options

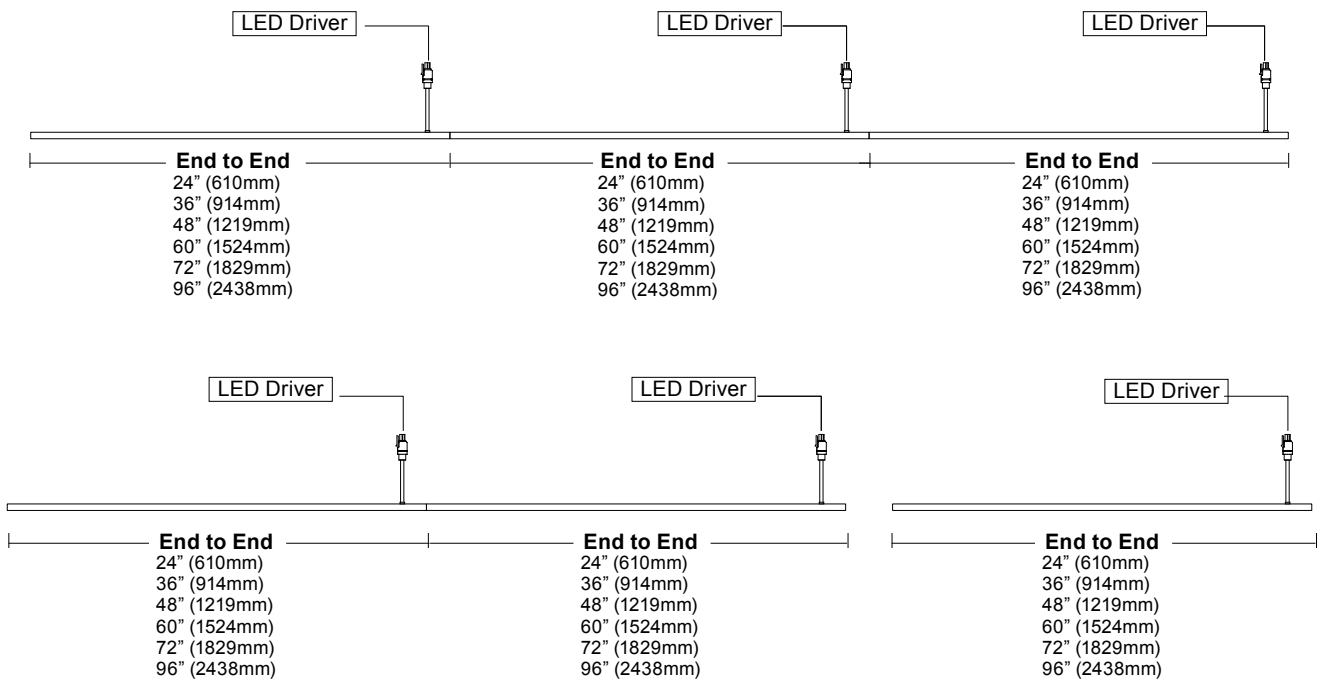


Clip



Magnet with Tape-On Metal Strip

## Layout

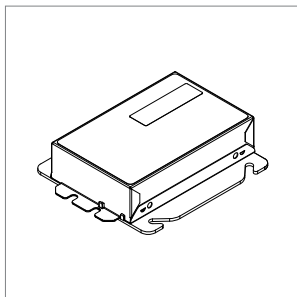


## Power and Controls

|                  |  |
|------------------|--|
| Power Type       | Class 2 (<60V output) constant current driver.   |
| Dimming Controls | Dimming (0.1%, 1%), 0-10V, DALI, DMX, Hi-lume 1% are available. See <a href="#">Power Guide</a> for details.   |
| Input Voltage    | 120V - 277V, 50/60hz.  |
| Power Location   | Portable power or remote power. Maximum remote distance up to 100' (30.5m) depending on driver selection. See <a href="#">Power Guide</a> for details. |

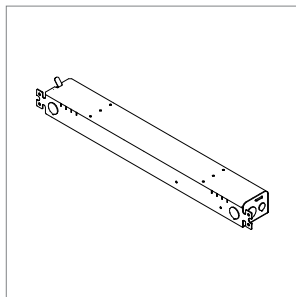
Remote power is locating the power supply away from the fixture. Remote power comes in two housing styles: brick style and linear style. Consult [Power Guide](#) to determine which type you will receive. Portable power is a wall plug with on/off switch.

### Remote Brick Power Housing



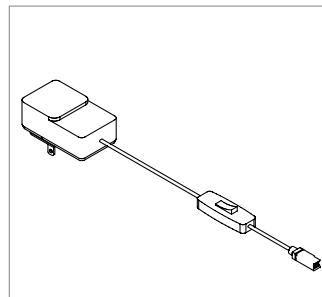
Supplied for some remote power applications. One remote power supply housing is supplied for each rail. Provided driver mounting plate fits standard 4" metal, square J-Boxes with a minimum volume of 21 in<sup>3</sup> (J-Box not provided). See [Tech Sheet](#) for details.

### Remote Linear Power Housing



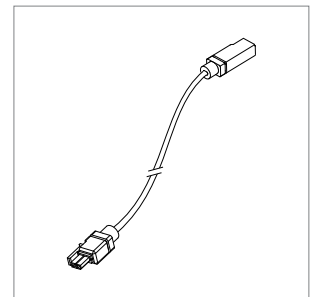
One remote power supply housing is supplied with each power supply. All Vode linear remote drivers come in a 0.054" (0.8mm) formed galvanized steel power supply housing with five (5) knockouts: (4) 1-1/8", (1) 7/8" and (1) 9/16". Accommodates standard linear power supplies. See [Tech Sheet](#) for details.

### Wall Plug with On/Off Switch



Wall plug is only available in Low Output and 100V - 240V in 3" and 48" Rail Lengths.

### Wire Harness

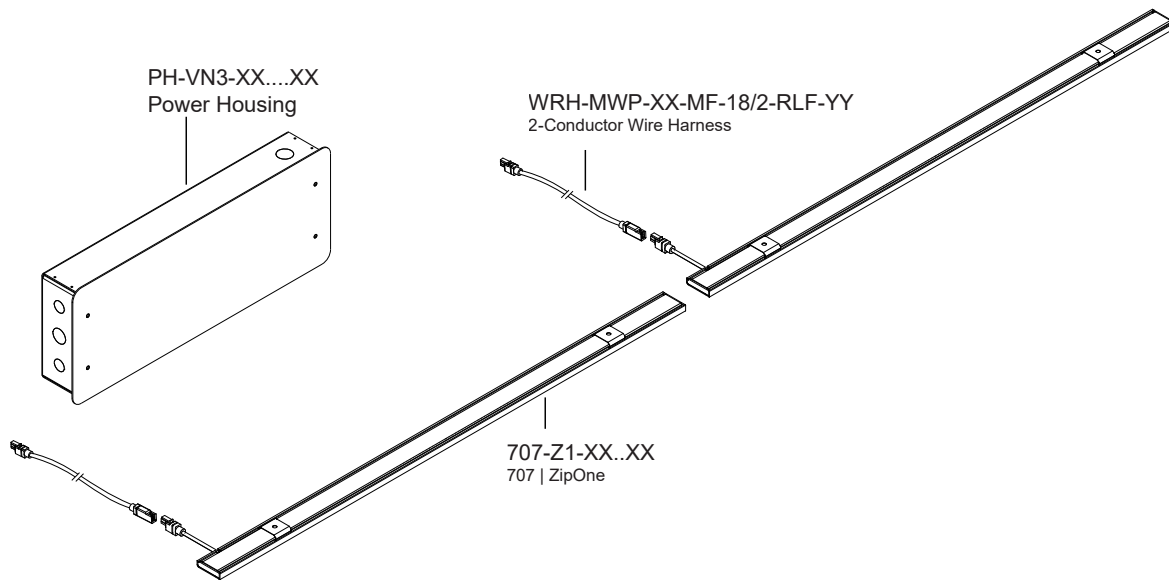


Wire harness connects driver to rail section. Lengths of 10' (3.0m) & 25' (7.6m) with snap-lock connectors for quick and easy installation. Multiple harnesses may be combined for lengths up to 100' (30.5m). See [Tech Sheet](#) for details.

## Power and Controls

### Flexible 1 to 1 power

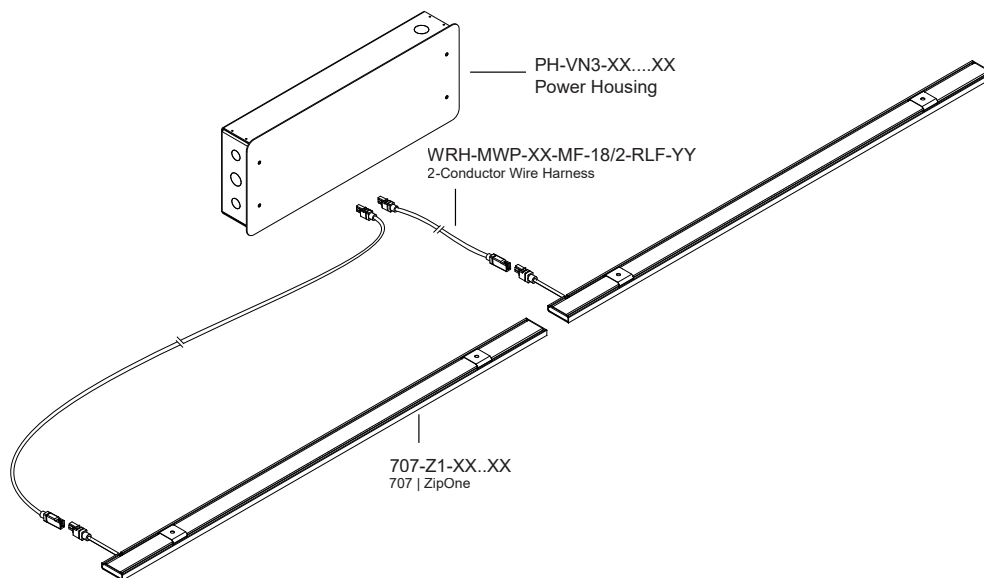
For Flexible 1 to 1 Power, Vode supplies one single output driver per fixture, allowing each fixture to be controlled independently. Direct/Indirect fixtures are supplied with two single output drivers, allowing the direct and indirect lighting to be controlled independently. Consult [Power Guide](#) to determine which type you will receive.



### Optimized Power

To optimize power, Vode configures specifications with drivers that have 2 or 4 outputs. Depending on system configurations and power requirements, up to 4 fixtures can be powered from a 4-output driver. Consult [Power Guide](#) to determine which type you will receive.

IMPORTANT: Each fixture will still require individual wire harnesses, as shown below.

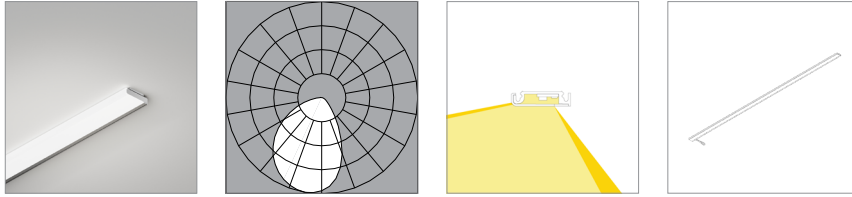


Note: Drawings not to scale, for reference only.

## Performance | Zipper Board Optics

Zipper Board Optics design has 72 diodes per foot (305mm).

### 100° Asymmetric (A2)



L80 >60,000 hours

**90 CRI (90min., 96 avg.)**

|                             | 2700K | 3000K | 3500K | 4000K |
|-----------------------------|-------|-------|-------|-------|
| <b>Low Output (LO)</b>      |       |       |       |       |
| Efficacy - Lumens per Watt  | 85    | 87    | 89    | 90    |
| Lumens per foot (305mm)     | 342   | 353   | 361   | 364   |
| Watts per foot (305mm)      | 4.1   | 4.1   | 4.1   | 4.1   |
| <b>Standard Output (SO)</b> |       |       |       |       |
| Efficacy - Lumens per Watt  | 106   | 109   | 111   | 113   |
| Lumens per foot (305mm)     | 685   | 707   | 721   | 728   |
| Watts per foot (305mm)      | 6.5   | 6.5   | 6.6   | 6.5   |
| <b>High Output (HO)</b>     |       |       |       |       |
| Efficacy - Lumens per Watt  | 105   | 108   | 110   | 112   |
| Lumens per foot (305mm)     | 1027  | 1060  | 1082  | 1092  |
| Watts per foot (305mm)      | 9.9   | 9.9   | 9.9   | 9.9   |

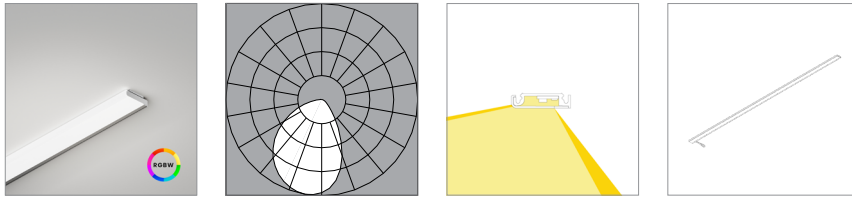
Copyright © 2025 Vode Lighting LLC. All rights reserved. Vode, the Vode logo, BoxRail, FlyWing, MicroBaffle, Button Board, Zipper Board, Zero Canopy, Zero Block, VodeNODE and other names are either registered trademarks or trademarks of Vode Lighting LLC in the United States and may be registered in other countries. All other trademarks listed herein belong to their respective owners. Due to ongoing innovation, specification details may change without notice.



## Performance | Zipper Board Optics | RGBW

Zipper Board Optics design has 72 diodes per foot (305mm).  
 RGBW (red, green, blue, and white) tested with **all channels on**.

### 100° Asymmetric (A2)



L80 >60,000 hours

#### RGBW Color, 90 CRI (90min., 96 avg.)

| <b>Low Output (LO)</b>     | 2700K | 3000K | 3500K | 4000K |
|----------------------------|-------|-------|-------|-------|
| Efficacy - Lumens per Watt | 72    | 74    | 76    | 76    |
| Lumens per foot (305mm)    | 602   | 621   | 634   | 640   |
| Watts per foot (305mm)     | 8.5   | 8.5   | 8.5   | 8.5   |

| <b>Standard Output (SO)</b> | 2700K | 3000K | 3500K | 4000K |
|-----------------------------|-------|-------|-------|-------|
| Efficacy - Lumens per Watt  | 69    | 74    | 76    | 77    |
| Lumens per foot (305mm)     | 914   | 974   | 999   | 1011  |
| Watts per foot (305mm)      | 13.3  | 13.3  | 13.3  | 13.3  |

Copyright © 2025 Vode Lighting LLC. All rights reserved. Vode, the Vode logo, BoxRail, FlyWing, MicroBaffle, Button Board, Zipper Board, Zero Canopy, Zero Block, VodeNODE and other names are either registered trademarks or trademarks of Vode Lighting LLC in the United States and may be registered in other countries. All other trademarks listed herein belong to their respective owners. Due to ongoing innovation, specification details may change without notice.