



## Spec Guide

# ulo™ | 507

Red List  
Approved

Declare.

Gotta Jump? The new Vode ulo. Move and it moves with you.



Portable Desk

## Benefits & Features

### Simple. Tiny. Powerful.

Portable 10.70" (272mm) x 0.21" (5mm) light module with 7 mounting options. You choose.

### Superior Light Quality & Performance

Two proximity sensors, 3 brightness levels up to 511 lumens, 4 color tuning temperatures, 2700K, 3500K, 4200K & 5000K, 90CRI, 5.9 watts.

### USB-C Power Source

Runs off USB-C power adaptor or USB-C receptacle (both optional).

### Have Fun

A magnetic ball connects the light bar to an ingenious system of mounts and anchors. One can use ulo practically anywhere.



Wall Anchor



Touch Free Controls

### Build Your Specification

<b>507-ulo</b>	<b>01</b>	<b>11</b>			<b>PP</b> >>
----------------	-----------	-----------	--	--	--------------

<b>System &amp; Rail Type</b>	<b>Single/Double Rail</b>	<b>Rail Length</b>	<b>Mounting</b>	<b>Arm/Cord Length</b>	<b>Power Location</b>
507-ulo ulo	01 Single Rail	11 10.7" (271mm) <i>See <a href="#">Rail Length Chart</a> for more details.</i> <b>⚠ Custom lengths may result in light gaps on the fixture. See <a href="#">Rail Length Chart</a> for more details.</b>	<b>PD</b> Portable Desk <b>TR</b> Table Anchor <b>SM</b> Shelf Mount <b>WR</b> Wall Anchor <b>WS</b> Wall Surface <b>MM</b> Mini-Mount <b>TC</b> Table Clamp	<b>0</b> None <sup>1</sup> <b>S14</b> 14" (356mm), straight <sup>2</sup>	<b>PP</b> Portable Power

>>	<b>1</b>	<b>Z2</b>	<b>SD</b>	>>
----	----------	-----------	-----------	----

<b>Power Type</b>	<b>Voltage</b>	<b>LED Type</b>	<b>Lumen Output</b>	<b>Color Temperature</b>
<b>PA</b> USB-C Power Adaptor <b>RC</b> USB-C Receptacle <b>NP</b> USB-C power provided by others	1 120v	<b>Z2</b> Task Light Zipper board	<b>SD</b> 3 Step Dimming <b>ZZ</b> Other (please specify) <i>See <a href="#">IES Files</a> page for details.</i>	<b>90+ CRI</b> <b>Tunable White<sup>3</sup></b> <b>TW</b> 2700K-5000K  <b>Static CCT</b> <b>279</b> 2700K <b>309</b> 3000K <b>359</b> 3500K <b>409</b> 4000K <b>509</b> 5000K

>>	<b>1</b>	<b>0</b>		<b>0</b>
----	----------	----------	--	----------

<b>Optics</b>	<b>Sensors</b>	<b>Finish</b>	<b>Options</b>
1 Diffuse Lens	0 None	<b>AL</b> Clear Anodized <b>WH</b> White Painted <b>BL</b> Black Anodized	0 None

**NOTES & LIMITATIONS**

<sup>1</sup>Shelf Mount (SM), Wall Anchor (WR), Wall Surface (WS), and Mini-Mount (MM) come with Arm/Cord Length None (0).  
<sup>2</sup>Portable Desk (PD), Table Anchor (TR), and Table Clamp (TC) come with Arm/Cord Length 14" (356mm) straight (S14).  
<sup>3</sup>Tunable White (TW) comes standard with 4 steps: 2700K, 3500K, 4200K, and 5000K.

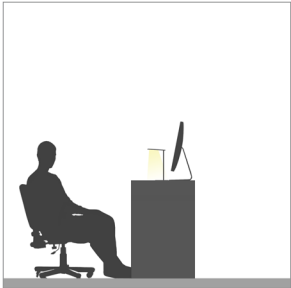
5 Year Limited Warranty. See full Vode warranty description [here](#) or at [vode.com](#).

Listed to UL standards for damp location by a Nationally Recognized Testing Laboratory (NRTL) recognized by OSHA.

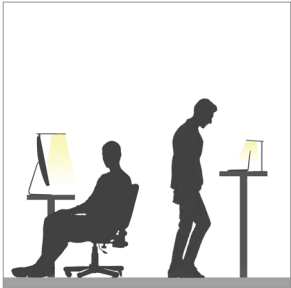


# Applications

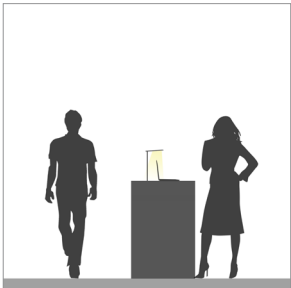
## Table Anchor



## Personal Office



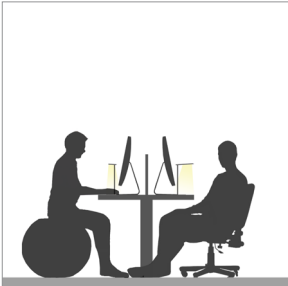
## Portable Desk



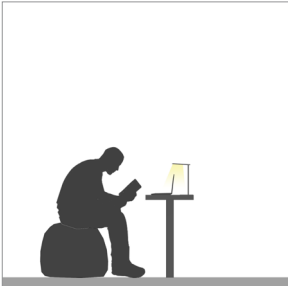


# Applications

## Table Clamp



## Library Desk



## Task Work Surfaces





# Applications

## Hospitality



## Hospitality



## Creative Tasks



# Sustainability & Certifications

## DECLARE

### International Living Future Institute (ILFI)



All Vode Lighting linear light fixtures proudly carry the Red List Approved designation.



**Vode ulo**  
**Vode Lighting LLC**

**Final Assembly:** Sonoma, California, USA  
**Life Expectancy:** 10 Year(s)  
**End of Life Options:** Recyclable (100%)

**Ingredients:**

Anodized Aluminum (6063-T5 Alloy); Small Electrical Component (RoHS)<sup>1</sup>; Acetic acid ethenyl ester, polymer with ethene; Copper; Neodymium Iron Boron; Styrene-butadiene polymer, hydrogenated; **Flourinated Ethylene Propylene<sup>2</sup>**; Styrene/butadiene copolymer; Nickel Plated 1018 Steel; Distillates; Polycarbonate; Steel manufacture, chemicals; Polypropylene; Tin; Calcium carbonate; Silicone

<sup>1</sup>LBC Temp Exception RL-002 - Small Electrical Components  
<sup>2</sup>LBC Temp Exception RL-023 - Wire Sheathing Subject to NFPA 90A, NFPA 262, UL® 910

**Living Building Challenge Criteria:** Compliant

**I-13 Red List:**

<input type="checkbox"/> LBC Red List Free	% Disclosed: 100% at 100ppm
<input checked="" type="checkbox"/> LBC Red List Approved	VOC Content: Not Applicable
<input type="checkbox"/> Declared	

**I-10 Interior Performance:** Not Applicable  
**I-14 Responsible Sourcing:** Not Applicable

VDE-0002  
EXP. 01 FEB 2026  
Original Issue Date: 2020

MANUFACTURER RESPONSIBLE FOR LABEL ACCURACY  
INTERNATIONAL LIVING FUTURE INSTITUTE™ [living-future.org/declare](http://living-future.org/declare)

## BAA X BABA

### Buy American Act / Build America & Buy America Act Compliance

Vode is dedicated to supporting domestic manufacturing and ensuring compliance with BAA and BABA requirements.

Given the complexity of our products, we recommend reaching out to **vodecares@vode.com** for confirmation regarding compliance for your specific project.



Click here to learn more: [US Department of Commerce](#)

## Structure

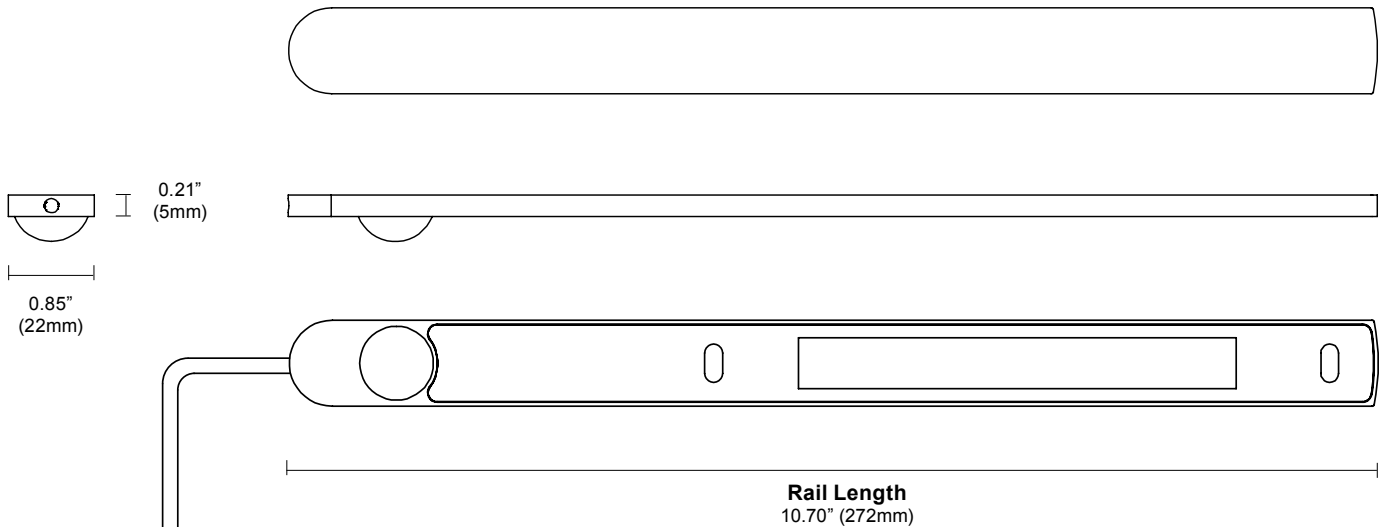
Light Module	10.70" x 0.21" (272mm x 5mm)
Construction / Finish	Extruded and machined 6063-T5 aluminum. Clear anodized, black anodized, white painted and non-standard finishes available
Cable Length	108" (2743mm)
Operating Temperature	32°F to 104°F (0°C to 40°C)
Humidity	0-85%, non-condensing
Weight	0.25lbs per light module (0.11kg per 305mm) <i>Mounting hardware not included in calculation</i>

## Materials

LED Board Construction	FR4, RoHS compliant
Lens	Polycarbonate
Power Cable	USB-C, Ø3.5mm, 24/2 & 28/2 AWG, TPE, flame tested UL-910

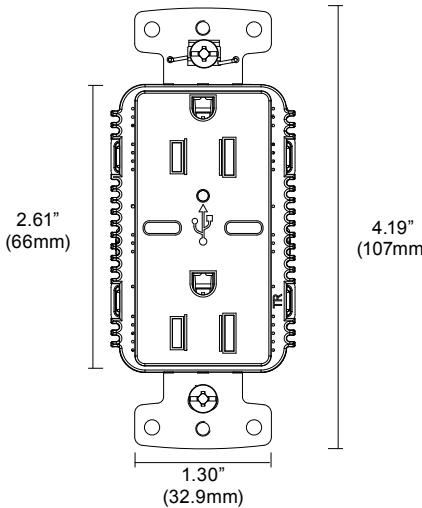
## Dimensions

### Light Bar

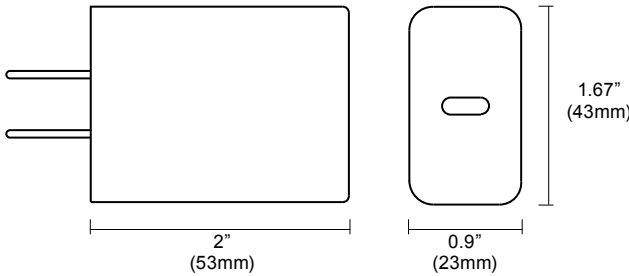


**Cord Length**  
108" (2743mm)

### USB-C Receptacle



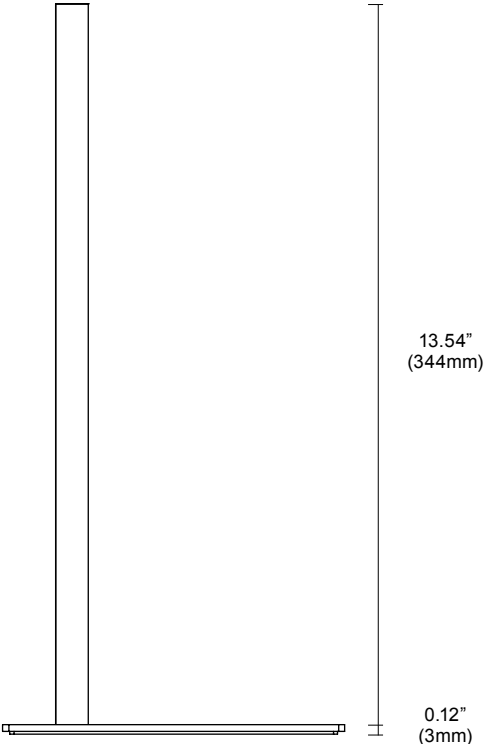
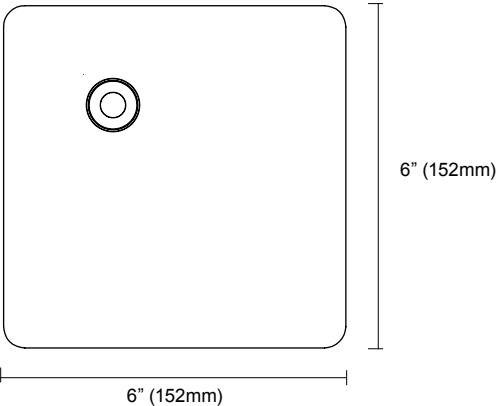
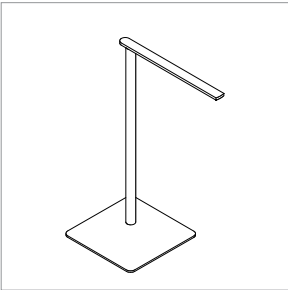
### USB-C Power Adapter



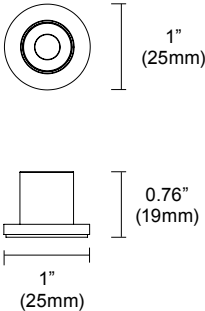
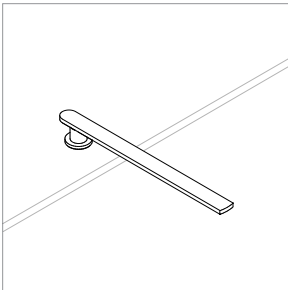


# Dimensions

## Portable Desk

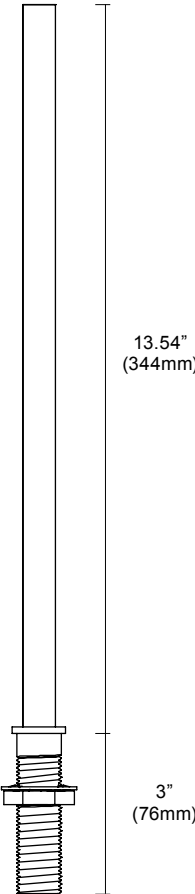
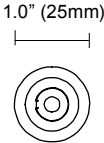
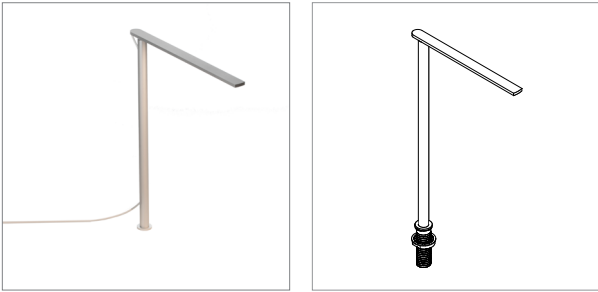


## Mini-Mount

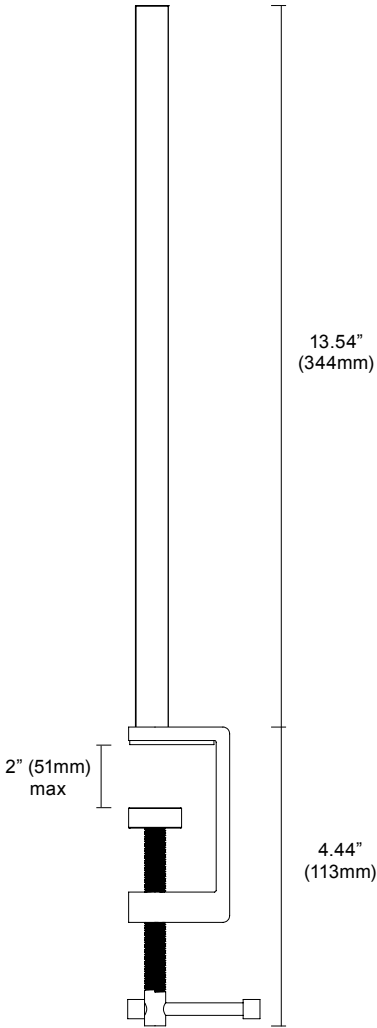
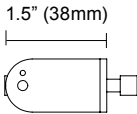
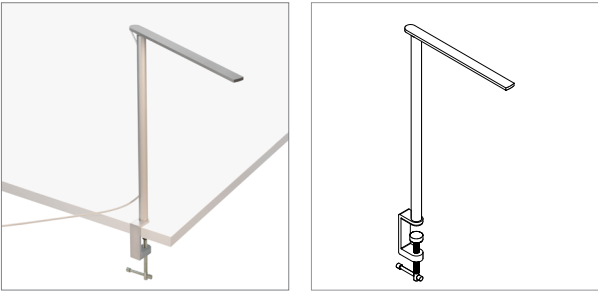


# Dimensions

## Table Anchor

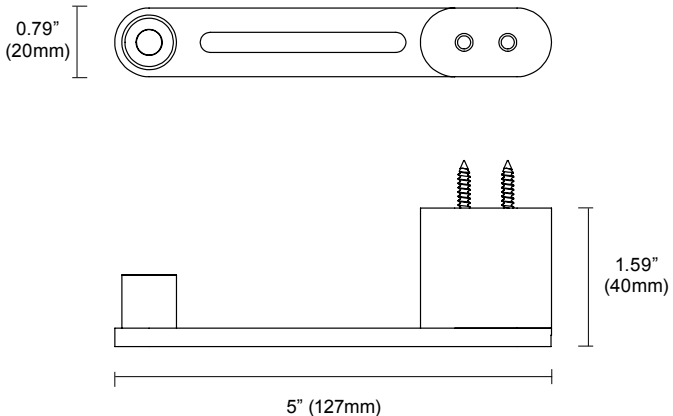
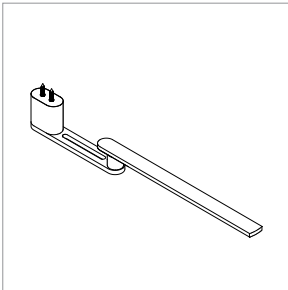


## Table Clamp

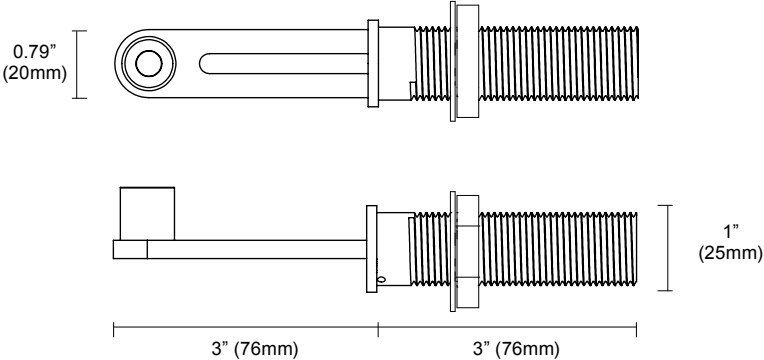
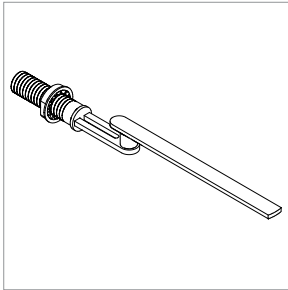


# Dimensions

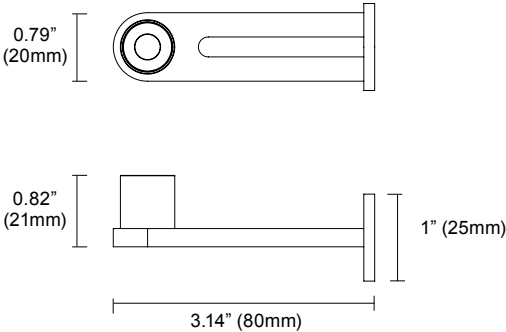
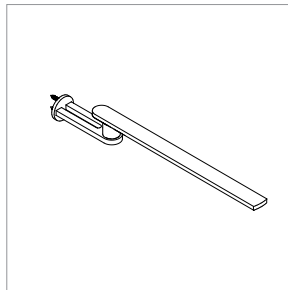
## Shelf Mount



## Wall Anchor



## Wall Surface





# Power and Controls

Power Type	Class 2 (5v, 3A output) USB-C power adapter
Controls	Integrated in fixture
Input Voltage	120v - 240v, 50/60hz, 0.7A Max

# Finish

Clear Anodized Finish



Clear Anodized Light Bar, Clear Anodized Mounting, White Cable

White Painted Finish



White Light Bar, White Mounting, White Cable

Black Anodized Finish

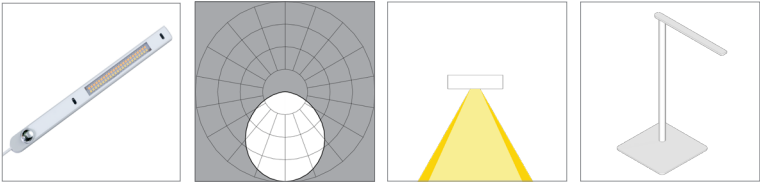


Black Light Bar, Black Mounting, Black Cable

# Performance | Zipper LED

Ulo has 48 diodes. Lumen measurement complies with IES-LM-79-08 testing procedures.

Diffuse Lens (1)

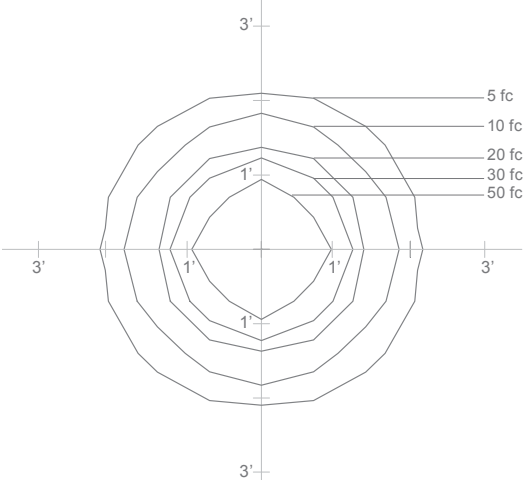


L80 >60,000 hours

90 CRI (90min., 96 avg.)

Full Brightness	2700K	3000K	3500K	4000K	4200K	5000K
Efficacy - Lumens per Watt	77	75	77	80	80	87
Total Lumens	451	442	456	470	470	511
Input Power (W)	5.9	5.9	5.9	5.9	5.9	5.9

Isofootcandle Plot



Isofootcandle plot CCT multipliers

	2700K	3000K	3500K	4000K	4200K	5000K
multipliers	0.99	0.97	1	1.03	1.03	1.12
50 foot candles	49.5	48.5	50	51.5	51.5	56
30 foot candles	29.7	29.1	30	30.9	30.9	33.6
20 foot candles	19.8	19.4	20	20.6	20.6	22.4
10 foot candles	9.9	9.7	10	10.3	10.3	11.2
5 foot candles	4.95	4.85	5	5.15	5.15	5.6

Lamp is 14" above desk surface at full brightness light output and 3500K