

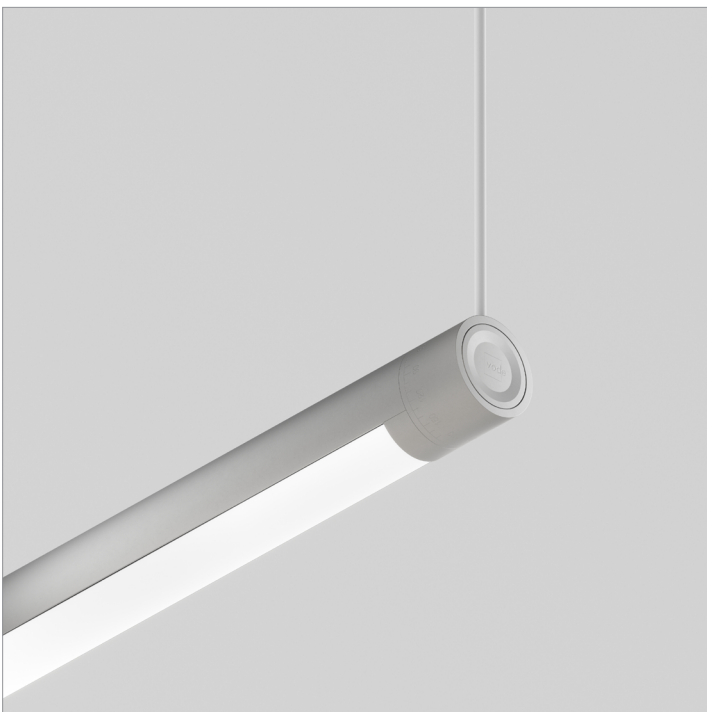


Spec Guide

RaceRail | Ceiling Cable | 107



Direct or indirect lighting for open office and ambient applications.



RaceRail: direct or indirect, infinite rotation.

Benefits & Features

Minimal Profile, Robust Design

Round profile, Ø1.12 in.

Superior Light Quality & Performance

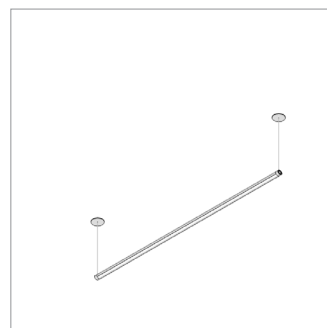
Output up to 1507 lm/ft (HO), 132 lm/W (HO). 90 CRI static & tunable white 2200K - 5000K. Custom ranges available upon request.

High Performance Optics

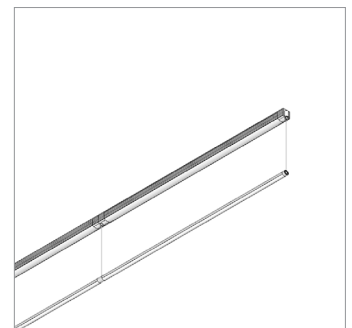
Break through Batwing lens designed for excellent fixture to fixture spacing.

Better Optics & Beam Control Options

Batwing, FlyWing, and diffuse lens available. Directional control with infinite rotation, angle gauge and lock.



Small Round Canopy



Integral Power

Build Your Specification

107-RR	01			CC	»
--------	----	--	--	----	---

System & Rail Type	Single/Double Rail	System Length	Rail Length	Mounting	Cable Length
107-RR RaceRail	01 Single Rail	Specify overall system length in ft/in or M/mm. <i>Corner and Shapes Available See Guide for details.</i>	24 24" (610mm) 36 36" (914mm) 48 48" (1219mm) 60 60" (1524mm) 72 72" (1829mm) ZZ Other rail length or layout (please specify) See Rail Length Chart for more details. ▲ Custom lengths may result in light gaps on the fixture. See Rail Length Chart for more details.	CC Ceiling Cable	<i>Field adjustable.</i> 48 48" cable (1219mm) 96 96" cable (2438mm) ZZ Other (please specify)

					»
--	--	--	--	--	---

Power Location	Power Type	Voltage	Emergency Power
Integral Power IP Integral Power Remote Power Specify mounting and harness length code example: 2R25, 4R25 ...etc. Mounting Option 2R Small Round Canopy 4R Large Round Canopy	Flexible 1 to 1 Power AE 0-10v, 1.0% Dimming AT 0-10v, 0.1% Dimming AD DALI, 0.1% Dimming AX DMX, 100-0% Dimming AH Hi-lume 1% EcoSystem, Soft On / Fade to Black Technology, LDE ¹ AH2 ELV 1% 2-wire (Forward and Reverse Phase) Optimized Power Add 'O' to power type example: AEO, ATO...etc. ¹ VodeNODE Add 'N' to power type for Flexible 1 to 1 Power Add 'ON' to power type for Optimized Power example: AEN, ATN, AEON, ADON...etc. ² ZZ Other (please specify) See Power Guide for driver features & limitations.	1 120V 2 120V - 277V X Not Yet Specified	0 No Emergency Power ZZ Emergency Power (specify requirements)
Wire Harness 10 10' (3.048m) Wire Harness 25 25' (7.62m) Wire Harness 50 50' (15.24m) Wire Harness 75 75' (22.86m) Wire Harness 100 100' (30.48m) Wire Harness			

» Z					
-----	--	--	--	--	--

LED Type	Lumen Output	Color Temperature	Optics	Sensors ⁶
Z Zipper Board	LO Low Output SO Standard Output HO High Output ZZ Other (please specify) See IES Files page for details. See Power Guide for driver features & limitations.	90+ CRI 27 2700K 30 3000K 35 3500K 40 4000K ZZ Tunable White Available See Guide for details.	Zipper Board (Z) 2 Diffuse, round G1 120° Batwing G2 120° FlyWing	0 None ENC Canopy with integrated Enlighted Micro Sensor ⁵ WSC Canopy with integrated Legrand Wattstopper sensor ⁵ LAC Canopy with integrated Lutron Athena sensor ⁵ ZZ Other (please specify)

»	
---	--

Finish	Options
AL Clear Anodized	0 None
WH White Powder Coat	9 9' 18/3 Cord and Plug
BL Black Anodized	CPP Chicago Plenum Power
ZZ Other (please specify)	LLLC Luminaire Level Lighting Controls

NOTES & LIMITATIONS

- ¹ Optimized Power is not available with Hi-lume 1% EcoSystem (AHO) Power Type.
 - ² VodeNODE enclosure is not available with ELV 1% 2-wire (AH2) Power Type.
 - ³ 9' 18/3 Cord and Plug only available with Remote Power (RP).
 - ⁴ Chicago Plenum not applicable for wall arm mounting.
 - ⁵ Rotating fixture as an upright will interfere with sensor operation.
 - ⁶ Sensors, drivers and control units that are integrated into Vode fixtures are discrete components that communicate with network lighting controls. For more information about each network lighting control system, visit the manufacturer's website for additional system information and technical data sheets.
- For general information about network lighting controls, consult the DesignLights Consortium® (DLC) [Networked Lighting Control Qualified Product List](#).

Standard 5 Year Limited Warranty. See details [here](#). Contact factory for options on Limited Warranties up to 20 years.

Listed to UL standards for damp location by a Nationally Recognized Testing Laboratory (NRTL) recognized by OSHA. Certain limitations exist for each Certification. Contact factory for verification.



Applications

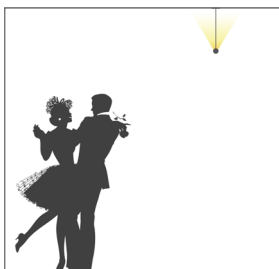
General Interior and Open Office



Square Inc, San Francisco, CA



Nektar Therapeutics Offices, San Francisco, CA



California Academy of Science, Terrace Cafe, San Francisco, CA

Sustainability & Certifications

DECLARE

International Living Future Institute (ILFI)

All Vode Lighting linear light fixtures proudly carry the Red List Approved designation.



Vode Adaptive Architectural Lighting Systems
Vode Lighting LLC

Final Assembly: Sonoma, California, US
Life Expectancy: 10+ Year(s)
End of Life Options: Recyclable (100%)

Ingredients:

Steel; Anodized Aluminum (6063-T5 Alloy); Small Electrical Component (RoHS); Copper; **Fluorinated Ethylene Propylene (masterbatch)**; Polymethyl methacrylate (PMMA); Stainless Steel; Polyoxymethylene Copolymer (POM); Styrene-butadiene polymer, hydrogenated; Poly(methyl methacrylate/butyl acrylate/styrene) (PMMA/BA/S); Styrene/butadiene copolymer; Distillates; Polypropylene; Calcium carbonate; Polycarbonate; EVA Copolymer; Methyl methacrylate (MMA); Polyphenylene Oxide; Brass; Tin, Organic

Living Building Challenge Criteria: Compliant

I-13 Red List:

LBC Red List Free % Disclosed: 100% at 100ppm
 LBC Red List Approved VOC Content: Not Applicable
 Declared

I-10 Interior Performance: Not Applicable
I-14 Responsible Sourcing: Not Applicable

VDE-0001
 EXP. 01 FEB 2026
 Original Issue Date: 2018

MANUFACTURER RESPONSIBLE FOR LABEL ACCURACY
 INTERNATIONAL LIVING FUTURE INSTITUTE™ living-future.org/declare

BAA X BABA

Buy American Act / Build America & Buy America Act Compliance

Vode is dedicated to supporting domestic manufacturing and ensuring compliance with BAA and BABA requirements.

Given the complexity of our products, we recommend reaching out to **vodecares@vode.com** for confirmation regarding compliance for your specific project.



Click here to learn more: [US Department of Commerce](#)

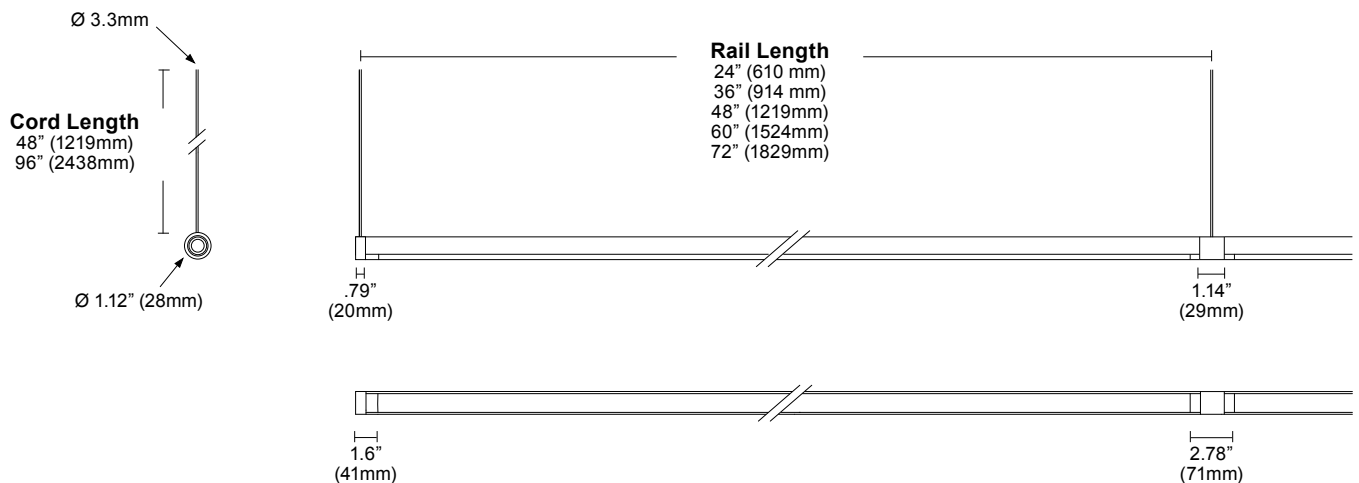
Structure

Rail Lengths	24" (610mm) - 72" (1829mm). Modified lengths available. See Rail Length Chart for more details.
Rail Dimensions	Ø1.12" (28mm) x length.
Construction	Extruded and machined 6063 aluminum.
Mounting	Ceiling mount to jbox or driver housing.
Cable Length	48" (1219mm) and 96" (2438mm) available. Field adjustable. Non-standard cable lengths available.
System Run Length	24" (610mm) minimum. Unlimited maximum length.
Operating Temperature	32°F to 104°F (0°C to 40°C).
Humidity	0-85%, non-condensing.
System Weight	0.65lbs per ft (0.29kg per 305mm) Power supply and housing not included.

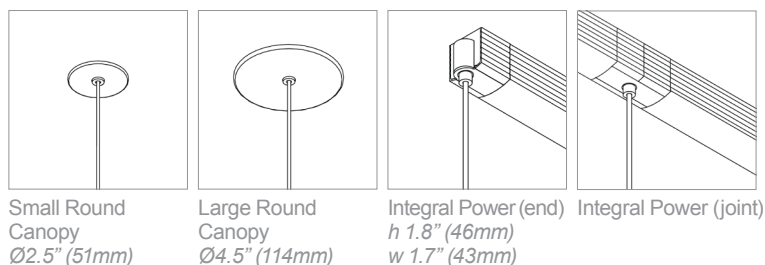
Materials

LED Board Construction	Aluminum core PCB, black LCP connectors, RoHS compliant.
Lens	High-impact extruded acrylic glass (PMMA).
Baffle	6063 aluminum, RoHS compliant painted finish.
Suspension Cable	Ø3.3mm, 22/2 AWG, PVC or TPE and RoHS compliant, Red List Approved.
Power Cable	Ø4mm, 18/2 AWG, Plenum (CMP) rated semi-rigid PVC or FEP, flame tested UL-910, Red List Approved.
Cable Connectors	Unfilled black nylon, rated UL 94 V-0, halogen free, PVC or FEP overmold, RoHS compliant, Red List Approved.
Remote Linear Power Housing (RLP)	20.7" x 2.375" x 2.53", 0.054" formed Galvanized Steel.
Remote Brick Power Housing (RBP)	4.32" x 3.37" x .078" Galvanized Steel mounting plate.

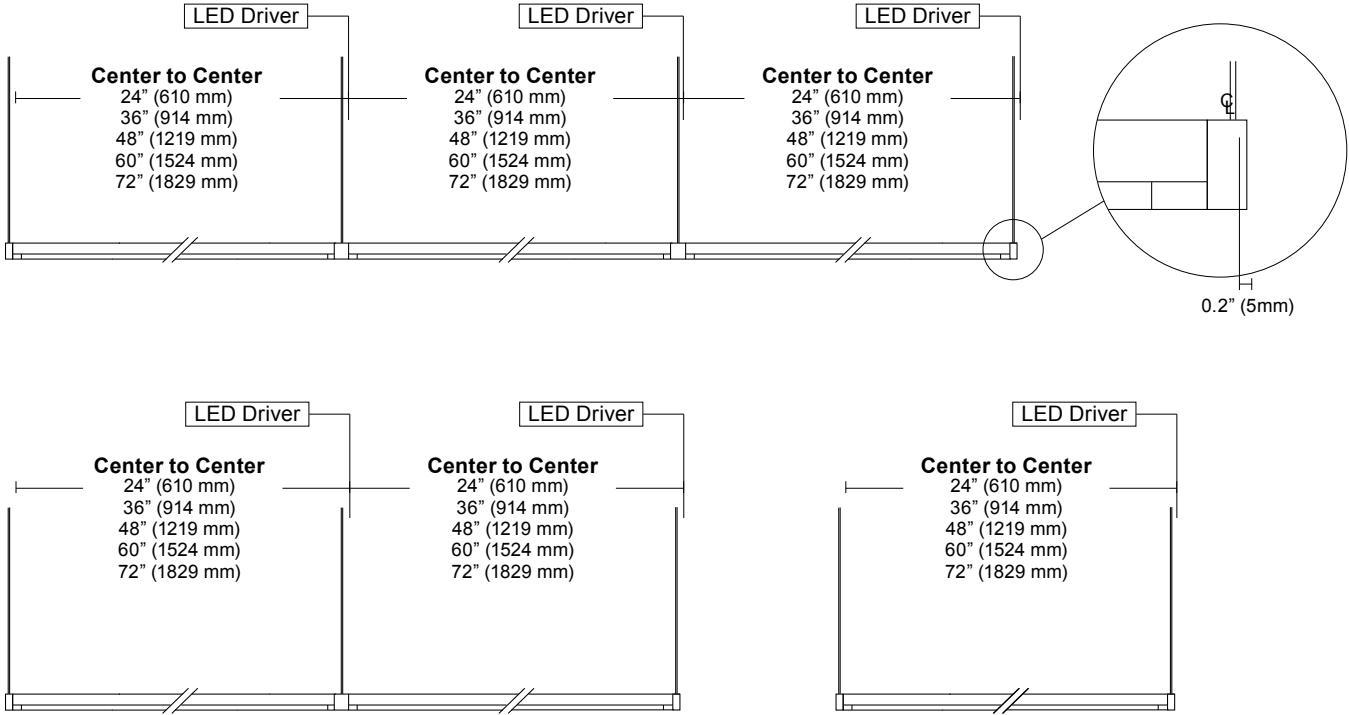
Dimensions



Mounting Options



Layout



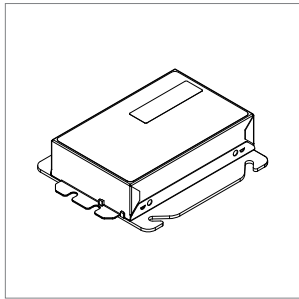
Corner and Shapes Available (Square, Rectangle, L-Shape, U-Shape, ZigZag) [See Guide](#) for details.

Power and Controls

Power Type	Class 2 (<60V output) constant current driver.
Dimming Controls	Dimming (0.1%, 1%), 0-10V, DALI, DMX, Hi-lume 1% are available. See Power Guide for details.
Input Voltage	120V - 277V, 50/60hz.
Power Location	Integral or remote power. Maximum remote distance up to 100' (30.5m) depending on driver selection. See Power Guide for details.

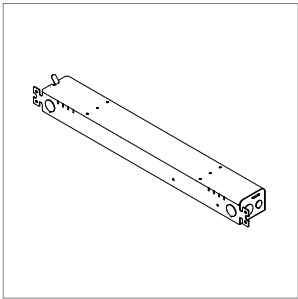
Vode power locations fall into two categories: integral and remote. Remote power is locating the power supply away from the fixture. Remote power comes in two housing styles: brick style and linear style. Consult [Power Guide](#) to determine which type you will receive. Integral power is locating the power supply into the lighting fixture or mounting.

Remote Brick Power Housing



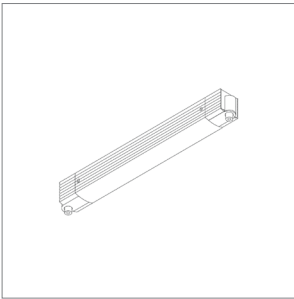
Supplied for some remote power applications. One remote power supply housing is supplied for each rail. Provided driver mounting plate fits standard 4" metal, square J-Boxes with a minimum volume of 21 in³ (J-Box not provided). See [Tech Sheet](#) for details.

Remote Linear Power Housing



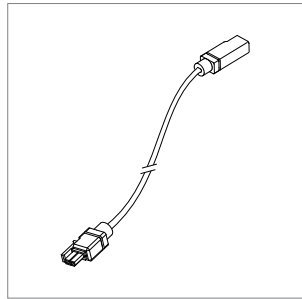
One remote power supply housing is supplied with each power supply. All Vode linear remote drivers come in a 0.054" (0.8mm) formed galvanized steel power supply housing with five (5) knockouts: (4) 1-1/8", (1) 7/8" and (1) 9/16". Accommodates standard linear power supplies. See [Tech Sheet](#) for details.

Integral Power



Houses integral power supply. Direct conduit feed is recommended, but integral power supply housing will mount to any standard North America 4" j-box. Mounts to most surfaces. Blocking is recommended at all arm junctions. See [Tech Sheet](#) for details.

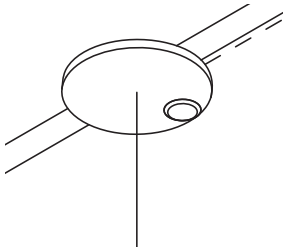
Wire Harness



Wire harness connects driver to rail section. Lengths of 10' (3.0m) & 25' (7.6m) with snap-lock connectors for quick and easy installation. Multiple harnesses may be combined for lengths up to 100' (30.5m). See [Tech Sheet](#) for details.

vodeCONNECT Sensors

Canopy with integrated sensor



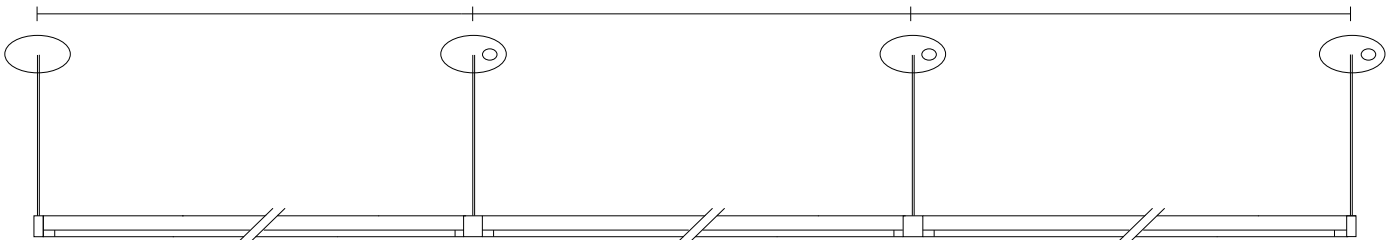
Sensor partners



Integrated canopy sensor layout ¹

1 sensor per fixture. See [vodeCONNECT brochure](#) for more details.

NOTES: 1. Available with Large Round Canopy only.



Compatible sensors



Lutron Athena



Legrand Wattstopper

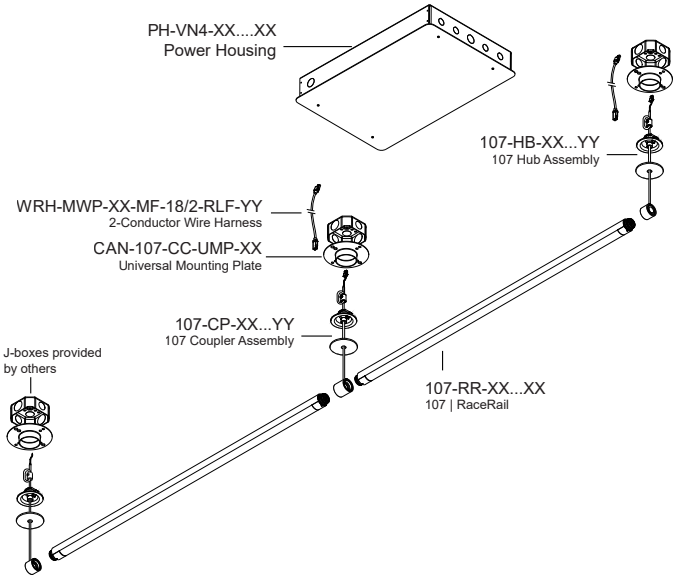


Enlighted Micro Sensor

Power and Controls

Flexible 1 to 1 power

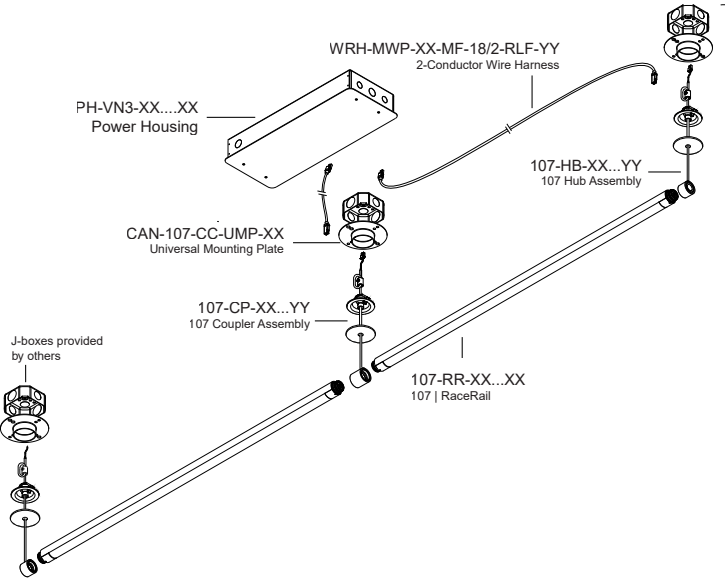
For Flexible 1 to 1 Power, Vode supplies one single output driver per fixture, allowing each fixture to be controlled independently. Direct/Indirect fixtures are supplied with two single output drivers, allowing the direct and indirect lighting to be controlled independently. Consult [Power Guide](#) to determine which type you will receive.



Optimized Power

To optimize power, Vode configures specifications with drivers that have 2 or 4 outputs. Depending on system configurations and power requirements, up to 4 fixtures can be powered from a 4-output driver. Consult [Power Guide](#) to determine which type you will receive.

IMPORTANT: Each fixture will still require individual wire harnesses, as shown below.



Note: Drawings not to scale, for reference only.

Finish

Clear Anodized Finish



Clear Anodized Rail, White Canopy/Integral Power, White Cable

White Powder Coat Finish



White Rail, White Canopy/Integral Power, White Cable

Black Anodized Finish

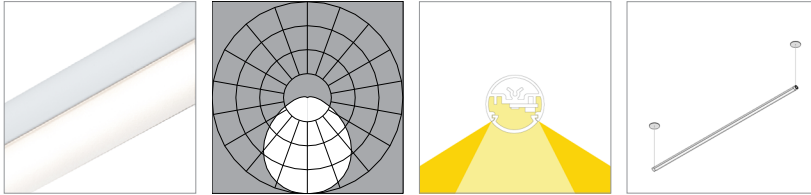


Black Rail, Black Canopy/Integral Power, Black Cable

Performance | Zipper Board Optics

Zipper Board Optics design has 72 diodes per foot (305mm).

Diffuse, round (2)



L90 >100,000 hours

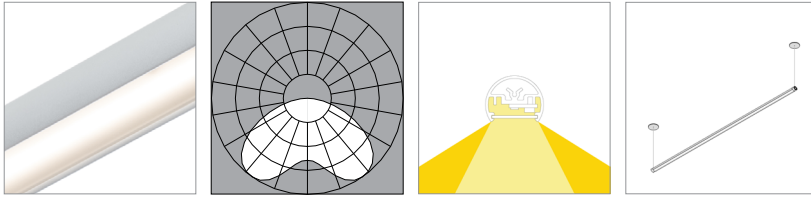
90 CRI (90min., 96 avg.)

	2700K	3000K	3500K	4000K
Low Output (LO)				
Efficacy - Lumens per Watt	109	112	114	115
Lumens per foot (305mm)	373	385	392	396
Watts per foot (305mm)	3.5	3.5	3.5	3.5
Standard Output (SO)				
Efficacy - Lumens per Watt	125	129	132	133
Lumens per foot (305mm)	746	769	785	793
Watts per foot (305mm)	6.0	6.0	6.0	6.0
High Output (HO)				
Efficacy - Lumens per Watt	116	120	122	123
Lumens per foot (305mm)	1416	1461	1491	1506
Watts per foot (305mm)	12.3	12.3	12.3	12.3

Performance | Zipper Board Optics

Zipper Board Optics design has 72 diodes per foot (305mm).

120° Batwing (G1)



L90 >100,000 hours

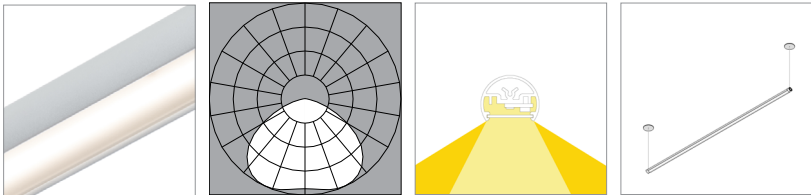
90 CRI (90min., 96 avg.)

Low Output (LO)	2700K	3000K	3500K	4000K
Efficacy - Lumens per Watt	85	87	89	90
Lumens per foot (305mm)	315	325	332	335
Watts per foot (305mm)	3.8	3.8	3.8	3.8

Standard Output (SO)	2700K	3000K	3500K	4000K
Efficacy - Lumens per Watt	106	109	111	112
Lumens per foot (305mm)	630	650	663	670
Watts per foot (305mm)	6.0	6.0	6.0	6.0

High Output (HO)	2700K	3000K	3500K	4000K
Efficacy - Lumens per Watt	98	101	103	104
Lumens per foot (305mm)	1197	1235	1260	1273
Watts per foot (305mm)	12.4	12.4	12.4	12.4

120° FlyWing (G2)



L90 >100,000 hours

90 CRI (90min., 96 avg.)

Low Output (LO)	2700K	3000K	3500K	4000K
Efficacy - Lumens per Watt	93	96	98	99
Lumens per foot (305mm)	319	329	336	339
Watts per foot (305mm)	3.5	3.5	3.5	3.5

Standard Output (SO)	2700K	3000K	3500K	4000K
Efficacy - Lumens per Watt	107	110	113	114
Lumens per foot (305mm)	639	659	672	679
Watts per foot (305mm)	6.0	6.0	6.0	6.0

High Output (HO)	2700K	3000K	3500K	4000K
Efficacy - Lumens per Watt	99	103	105	106
Lumens per foot (305mm)	1213	1252	1277	1290
Watts per foot (305mm)	12.3	12.3	12.3	12.3

Copyright © 2025 Vode Lighting LLC. All rights reserved. Vode, the Vode logo, BoxRail, FlyWing, MicroBaffle, Button Board, Zipper Board, Zero Canopy, Zero Block, VodeNODE and other names are either registered trademarks or trademarks of Vode Lighting LLC in the United States and may be registered in other countries. All other trademarks listed herein belong to their respective owners. Due to ongoing innovation, specification details may change without notice.