



Spec Guide

BoxRail | Table Arm | 107



Task lighting for table, workstation, and carrel desk applications.



BoxRail: direct or indirect, 370° rotation.

Benefits & Features

Minimal Profile

Double Rail performance in a small square profile, 1.14 in x 1.14 in.

Superior Light Quality & Performance

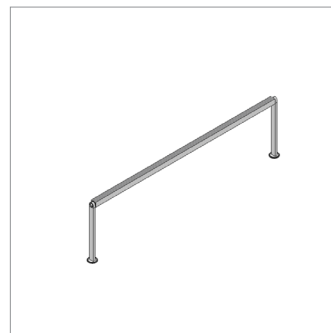
Output up to 1484 lm/ft (HO), 131 lm/W (HO). 90 CRI static & tunable white 2200K - 5000K. Custom ranges available upon request.

Adaptive PowerCenter

Full range dimming power for all protocols.

Better Optics & Beam Control Options

Batwing, FlyWing™, MicroBaffle™, diffuse lens and narrow optics available. Directional control with 370° rotation, angle gauge and lock.



Arm Anchor®



Double Rail with Tee, Arm Anchor

Build Your Specification

| | | | | | |
|---------------|--|--|--|-----------|----|
| 107-BX | | | | TA | ▶▶ |
|---------------|--|--|--|-----------|----|

| System & Rail Type | Single/Double Rail | System Length | Rail Length | Mounting | Arm Length |
|-----------------------|--|--|--|---------------------|--|
| 107-BX BoxRail | 01 Single Rail 03 Double Rail with 3" (76mm) Tee 06 Double Rail with 6" (152mm) Tee 12 Double Rail with 12" (305mm) Tee ZZ Other (please specify) | Specify overall system length in ft/in or M/mm. <i>Corner and Shapes Available See Guide for details.</i> | 24 24" (610mm) 36 36" (914mm) 48 48" (1219mm) 60 60" (1524mm) ZZ Other rail length or layout (please specify) <i>See Rail Length Chart for more details.</i> ▲ Custom lengths may result in light gaps on the fixture. See Rail Length Chart for more details. | TA Table Arm | 18 18" arm (457mm) ZZ Other (please specify) ¹ |

| | | | | | |
|--|--|--|--|--|----|
| | | | | | ▶▶ |
|--|--|--|--|--|----|

| Power Location | Power Type | Voltage | Emergency Power |
|---|--|---|---|
| Remote Power Specify mounting and harness length code example: 2T25 , 2T50 ...etc. | Flexible 1 to 1 Power AE 0-10v, 1.0% Dimming AT 0-10v, 0.1% Dimming AD DALI, 0.1% Dimming AX DMX, 100-0% Dimming AH Hi-lume 1% EcoSystem, LDE ¹ AH2 ELV 1% 2-wire (Forward and Reverse Phase) ⁴ | 1 120V 2 120V - 277V X Not Yet Specified | 0 No Emergency Power ZZ Emergency Power (specify requirements) |
| Mounting Option Wire Harness | Optimized Power Add 'O' to power type example: AEO, ATO...etc. ² VodeNODE Add 'N' to power type for Flexible 1 to 1 Power Add 'ON' to power type for Optimized Power example: AEN, ATN, AEON, ADON...etc. ³ ZZ Other (please specify) <i>See Power Guide for driver features & limitations.</i> | | |
| 2T Arm Anchor | 10 10' (3.048m) Wire Harness 25 25' (7.62m) Wire Harness 50 50' (15.24m) Wire Harness 75 75' (22.86m) Wire Harness 100 100' (30.48m) Wire Harness | | |

| | | | | | |
|--|----------|--|--|--|----|
| | Z | | | | ▶▶ |
|--|----------|--|--|--|----|

| LED Type | Lumen Output | Color Temperature | Optics | Sensors |
|-----------------------|---|--|---|--|
| Z Zipper Board | LO Low Output SO Standard Output HO High Output ZZ Other (please specify) <i>See IES Files page for details. See Power Guide for driver features & limitations.</i> | 90+ CRI 27 2700K 30 3000K 35 3500K 40 4000K ZZ Tunable White Available <i>See Guide for details.</i> | Zipper Board (Z) 1 Diffuse WB White Baffle BB Black Baffle G1 120° Batwing G2 120° FlyWing S1 40° Symmetric S2 60° Symmetric A1 85° Asymmetric | 0 None ZZ Sensor (specify requirements) |

| | | | | | |
|--|--|--|--|--|----|
| | | | | | ▶▶ |
|--|--|--|--|--|----|

| Finish | Options |
|----------------------------------|-------------------------------------|
| AL Clear Anodized | 0 None |
| WH White Powder Coat | 1 On/Off Switch ⁴ |
| BL Black Anodized | 9 9' 18/3 Cord and Plug |
| ZZ Other (please specify) | CPP Chicago Plenum Power |

NOTES & LIMITATIONS

- ¹ Arm lengths >48" not recommended.
- ² Optimized Power is not available with Hi-lume 1% EcoSystem (AHO) Power Type.
- ³ VodeNODE enclosure is not available with ELV 1% 2-wire (AH2) Power Type.
- ⁴ One On/Off Switch per LED Driver.

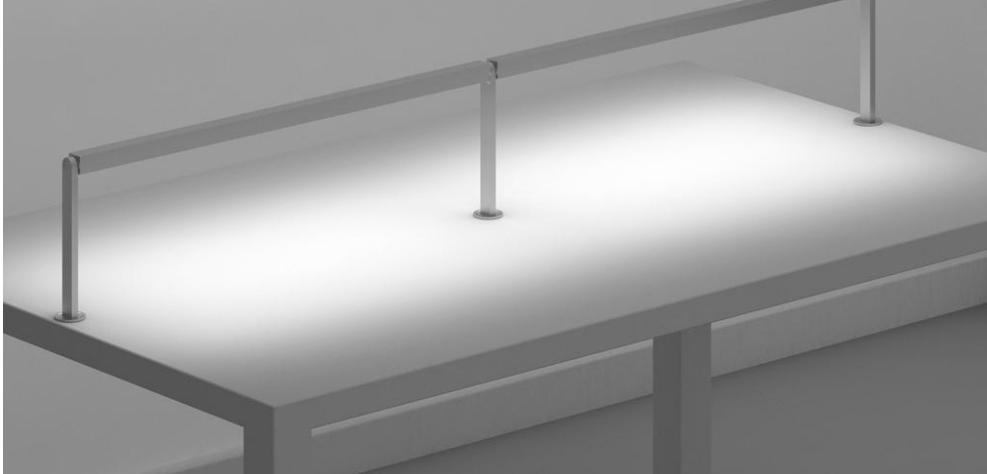
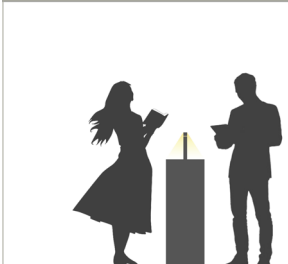
Standard 5 Year Limited Warranty. See details [here](#). Contact factory for options on Limited Warranties up to 20 years.

Listed to UL standards for damp location by a Nationally Recognized Testing Laboratory (NRTL) recognized by OSHA. Certain limitations exist for each Certification. Contact factory for verification.



Applications

Corporate, Educational, and Library



Fixture: rendering.



Library: rendering.

Sustainability & Certifications

DECLARE

International Living Future Institute (ILFI)



All Vode Lighting linear light fixtures proudly carry the Red List Approved designation.



Vode Adaptive Architectural Lighting Systems
Vode Lighting LLC

Final Assembly: Sonoma, California, US
Life Expectancy: 10+ Year(s)
End of Life Options: Recyclable (100%)

Ingredients:

Steel; Anodized Aluminum (6063-T5 Alloy); Small Electrical Component (RoHS); Copper; **Fluorinated Ethylene Propylene (masterbatch)**; Polymethyl methacrylate (PMMA); Stainless Steel; Polyoxymethylene Copolymer (POM); Styrene-butadiene polymer, hydrogenated; Poly(methyl methacrylate/butyl acrylate/styrene) (PMMA/BA/S); Styrene/butadiene copolymer; Distillates; Polypropylene; Calcium carbonate; Polycarbonate; EVA Copolymer; Methyl methacrylate (MMA); Polyphenylene Oxide; Brass; Tin, Organic

Living Building Challenge Criteria: Compliant

I-13 Red List:

LBC Red List Free % Disclosed: 100% at 100ppm
 LBC Red List Approved VOC Content: Not Applicable
 Declared

I-10 Interior Performance: Not Applicable
I-14 Responsible Sourcing: Not Applicable

VDE-0001
 EXP. 01 FEB 2026
 Original Issue Date: 2018

MANUFACTURER RESPONSIBLE FOR LABEL ACCURACY
 INTERNATIONAL LIVING FUTURE INSTITUTE™ living-future.org/declare

TM65NA

CIBSE & ASHRAE on Embodied Carbon

Vode recognizes TM65NA as the highest standard for understanding the embodied carbon of our fixtures.

Developed with ASHRAE, it adapts CIBSE’s TM65 for North America, ensuring accurate regional assessments. It must be used alongside TM65 and follows TM65LA’s framework.

System: 107 | BoxRail | Table Arm
Embodied Carbon (kg CO₂e): 48.72*

***Note:** Embodied Carbon, expressed in kilograms of CO₂e is calculated using a 48” fixture **and includes the LED driver.**



Click here to learn more [CIBSE](#), [ASHRAE](#).

BAA X BABA

Buy American Act / Build America & Buy America Act Compliance

Vode is dedicated to supporting domestic manufacturing and ensuring compliance with BAA and BABA requirements.

Given the complexity of our products, we recommend reaching out to vodecares@vode.com for confirmation regarding compliance for your specific project.



Click here to learn more: [US Department of Commerce](#)

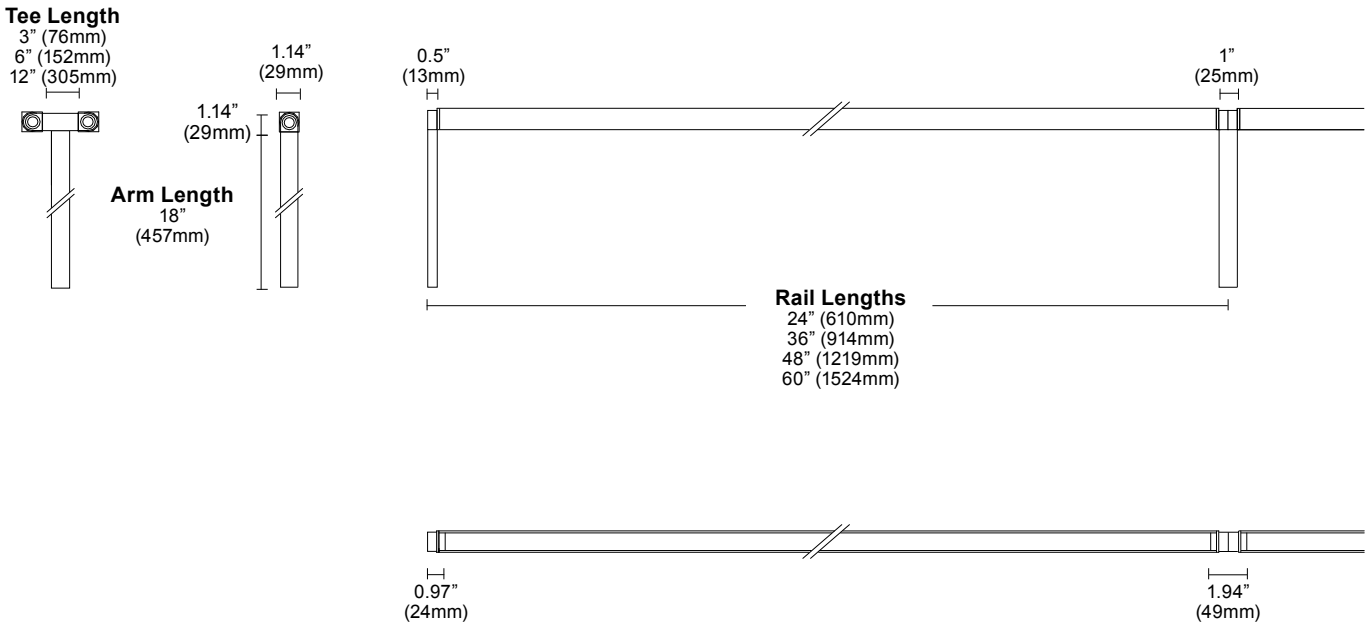
Structure

| | |
|-----------------------|---|
| Rail Lengths | 24" (610mm) - 60" (1524mm). Modified lengths available. See Rail Length Chart for more details. |
| Rail Dimensions | 1.14" (29mm) x 1.14" (29mm) x length. |
| Construction | Extruded and machined 6063 aluminum. |
| Mounting | Table mount to Arm Anchor®. |
| Arm Length | 18" (457mm). Non-standard arm lengths available. Arm lengths >48" (1219mm) not recommended. |
| System Run Length | 24" (610mm) minimum. Unlimited maximum. |
| Operating Temperature | 32°F to 104°F (0°C to 40°C). |
| Humidity | 0-85%, non-condensing. |
| System Weight | 1.04 lbs per ft (0.47kg per 305mm). Power supply and housing not included. |

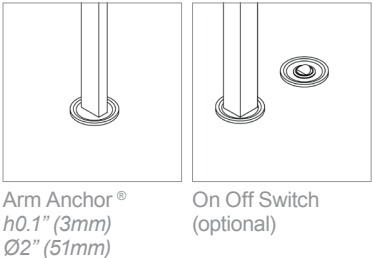
Materials

| | |
|-----------------------------------|--|
| LED Board Construction | Aluminum core PCB, black LCP connectors, RoHS compliant. |
| Lens | High-impact extruded acrylic glass (PMMA). |
| Baffle | 6063 Aluminum, RoHS compliant painted finish. |
| Power Cable | Ø4mm, 18/2 AWG, Plenum (CMP) rated semi-rigid PVC or FEP, flame tested UL-910 (PVC free in 2020). |
| Cable Connectors | Unfilled black nylon, rated UL 94 V-0, halogen free, PVC or FEP overmold, RoHS compliant (PVC free in 2020). |
| Remote Linear Power Housing (RLP) | 20.7" x 2.375" x 2.53", 0.054" formed Galvanized Steel. |
| Remote Brick Power Housing (RBP) | 4.32" x 3.37" x .078" Galvanized Steel mounting plate. |

Dimensions



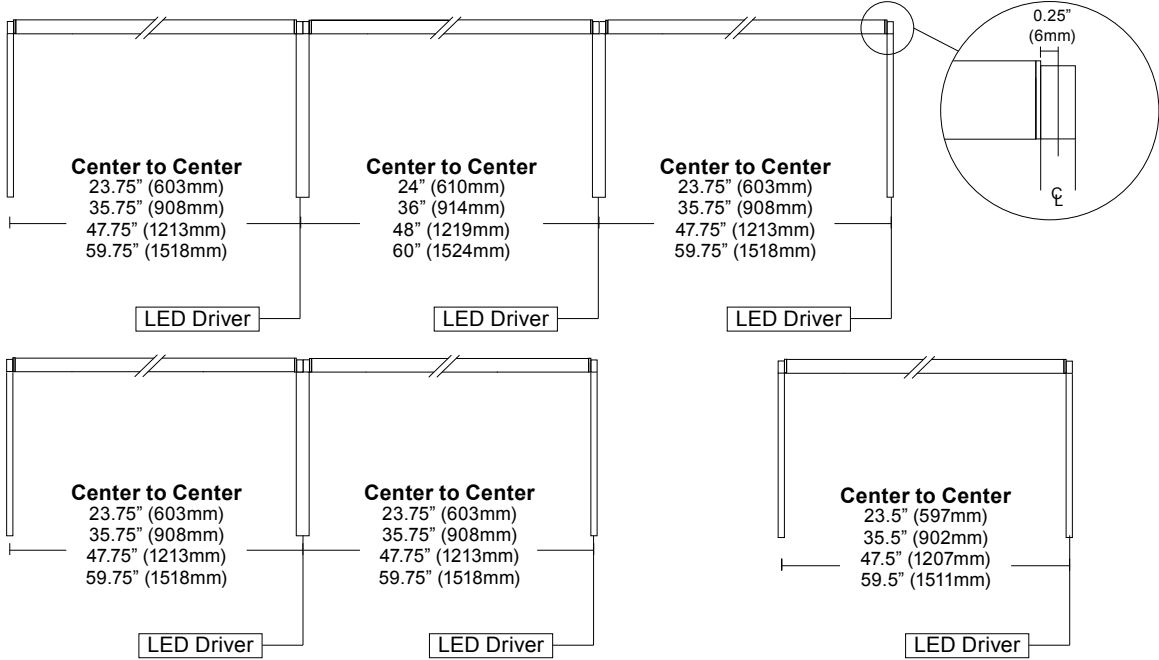
Mounting Options



Arm Anchor®
h0.1" (3mm)
Ø2" (51mm)

On Off Switch
(optional)

Layout



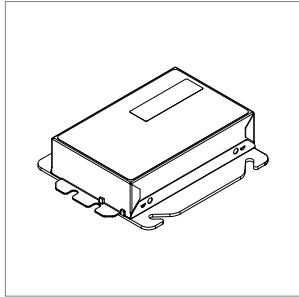
Corner and Shapes Available (Square, Rectangle, L-Shape, U-Shape, ZigZag) [See Guide](#) for details.

Power and Controls

| | |
|------------------|--|
| Power Type | Class 2 (<60V output) constant current driver. |
| Dimming Controls | Dimming (0.1%, 1%), 0-10V, DALI, DMX, Hi-lume 1% are available. See Power Guide for details. |
| Input Voltage | 120V - 277V, 50/60hz. |
| Power Location | Remote power. Maximum remote distance up to 100' (30.5m) depending on driver selection. See Power Guide for details. |

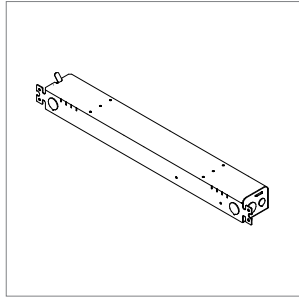
Remote power is locating the power supply away from the fixture. Remote power comes in two housing styles: brick style and linear style. Consult [Power Guide](#) to determine which type you will receive.

Remote Brick Power Housing



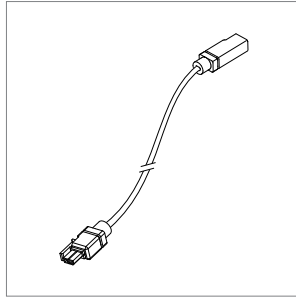
Supplied for some remote power applications. One remote power supply housing is supplied for each rail. Provided driver mounting plate fits standard 4" metal, square J-Boxes with a minimum volume of 21 in³ (J-Box not provided). See [Tech Sheet](#) for details.

Remote Linear Power Housing



One remote power supply housing is supplied with each power supply. All Vode linear remote drivers come in a 0.054" (0.8mm) formed galvanized steel power supply housing with five (5) knockouts: (4) 1-1/8", (1) 7/8" and (1) 9/16". Accommodates standard linear power supplies. See [Tech Sheet](#) for details.

Wire Harness

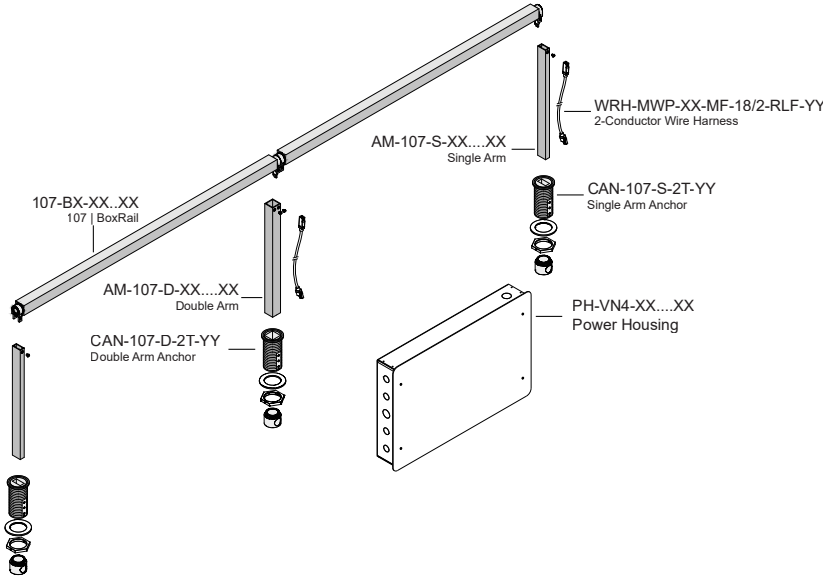


Wire harness connects driver to rail section. Lengths of 10' (3.0m) & 25' (7.6m) with snap-lock connectors for quick and easy installation. Multiple harnesses may be combined for lengths up to 100' (30.5m). See [Tech Sheet](#) for details.

Power and Controls

Flexible 1 to 1 power

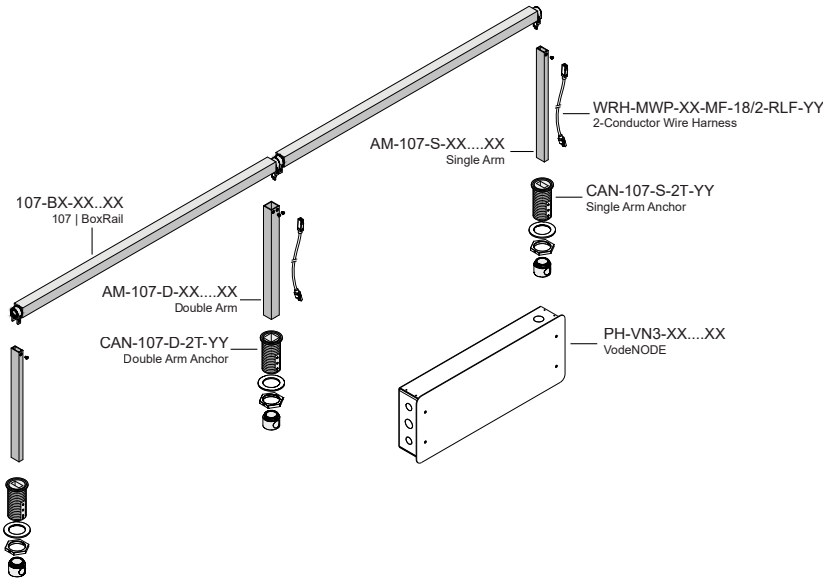
For Flexible 1 to 1 Power, Vode supplies one single output driver per fixture, allowing each fixture to be controlled independently. Direct/Indirect fixtures are supplied with two single output drivers, allowing the direct and indirect lighting to be controlled independently. Consult [Power Guide](#) to determine which type you will receive.



Optimized Power

To optimize power, Vode configures specifications with drivers that have 2 or 4 outputs. Depending on system configurations and power requirements, up to 4 fixtures can be powered from a 4-output driver. Consult [Power Guide](#) to determine which type you will receive.

IMPORTANT: Each fixture will still require individual wire harnesses, as shown below.

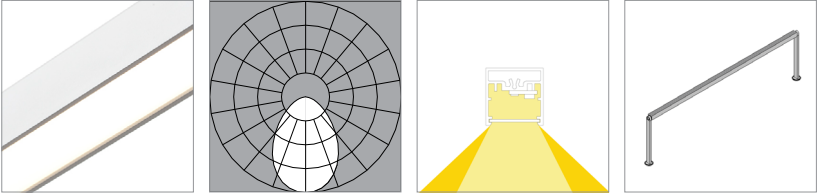


Note: Drawings not to scale, for reference only.

Performance | Zipper Board Optics

Zipper Board Optics design has 72 diodes per foot (305mm).

Diffuse (1)



L80 >60,000 hours

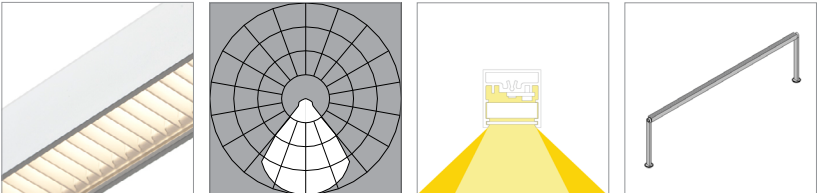
90 CRI (90min., 96 avg.)

| Low Output (LO) | 2700K | 3000K | 3500K | 4000K |
|----------------------------|-------|-------|-------|-------|
| Efficacy - Lumens per Watt | 81 | 83 | 85 | 86 |
| Lumens per foot (305mm) | 277 | 286 | 292 | 294 |
| Watts per foot (305mm) | 3.5 | 3.5 | 3.5 | 3.5 |

| Standard Output (SO) | 2700K | 3000K | 3500K | 4000K |
|-----------------------------|-------|-------|-------|-------|
| Efficacy - Lumens per Watt | 93 | 96 | 98 | 99 |
| Lumens per foot (305mm) | 554 | 571 | 583 | 589 |
| Watts per foot (305mm) | 6.0 | 6.0 | 6.0 | 6.0 |

| High Output (HO) | 2700K | 3000K | 3500K | 4000K |
|----------------------------|-------|-------|-------|-------|
| Efficacy - Lumens per Watt | 86 | 89 | 91 | 92 |
| Lumens per foot (305mm) | 1052 | 1086 | 1108 | 1119 |
| Watts per foot (305mm) | 12.3 | 12.3 | 12.3 | 12.3 |

White Baffle (WB)



L80 >60,000 hours

90 CRI (90min., 96 avg.)

| Low Output (LO) | 2700K | 3000K | 3500K | 4000K |
|----------------------------|-------|-------|-------|-------|
| Efficacy - Lumens per Watt | 56 | 58 | 59 | 60 |
| Lumens per foot (305mm) | 192 | 199 | 203 | 205 |
| Watts per foot (305mm) | 3.5 | 3.5 | 3.5 | 3.5 |

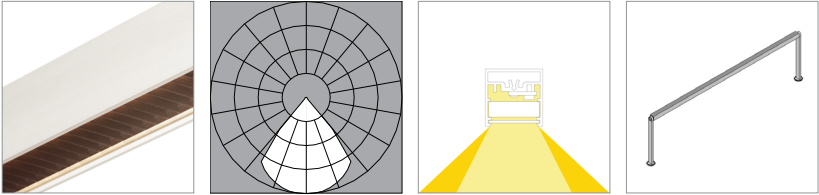
| Standard Output (SO) | 2700K | 3000K | 3500K | 4000K |
|-----------------------------|-------|-------|-------|-------|
| Efficacy - Lumens per Watt | 65 | 67 | 68 | 69 |
| Lumens per foot (305mm) | 385 | 397 | 405 | 409 |
| Watts per foot (305mm) | 6.0 | 6.0 | 6.0 | 6.0 |

| High Output (HO) | 2700K | 3000K | 3500K | 4000K |
|----------------------------|-------|-------|-------|-------|
| Efficacy - Lumens per Watt | 60 | 62 | 63 | 64 |
| Lumens per foot (305mm) | 731 | 755 | 770 | 778 |
| Watts per foot (305mm) | 12.3 | 12.3 | 12.3 | 12.3 |

Performance | Zipper Board Optics

Zipper Board Optics design has 72 diodes per foot (305mm).

Black Baffle (BB)



L80 >60,000 hours

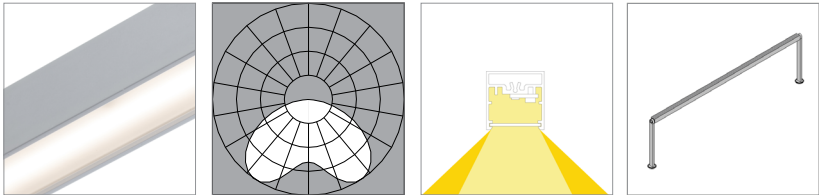
90 CRI (90min., 96 avg.)

| Low Output (LO) | 2700K | 3000K | 3500K | 4000K |
|----------------------------|-------|-------|-------|-------|
| Efficacy - Lumens per Watt | 31 | 31 | 32 | 32 |
| Lumens per foot (305mm) | 104 | 107 | 109 | 110 |
| Watts per foot (305mm) | 3.5 | 3.5 | 3.5 | 3.5 |

| Standard Output (SO) | 2700K | 3000K | 3500K | 4000K |
|----------------------------|-------|-------|-------|-------|
| Efficacy - Lumens per Watt | 35 | 36 | 37 | 37 |
| Lumens per foot (305mm) | 207 | 214 | 218 | 220 |
| Watts per foot (305mm) | 6.0 | 6.0 | 6.0 | 6.0 |

| High Output (HO) | 2700K | 3000K | 3500K | 4000K |
|----------------------------|-------|-------|-------|-------|
| Efficacy - Lumens per Watt | 33 | 34 | 34 | 35 |
| Lumens per foot (305mm) | 394 | 406 | 415 | 419 |
| Watts per foot (305mm) | 12.3 | 12.3 | 12.3 | 12.3 |

120° Batwing (G1)



L80 >60,000 hours

90 CRI (90min., 96 avg.)

| Low Output (LO) | 2700K | 3000K | 3500K | 4000K |
|----------------------------|-------|-------|-------|-------|
| Efficacy - Lumens per Watt | 94 | 97 | 99 | 100 |
| Lumens per foot (305mm) | 323 | 333 | 340 | 344 |
| Watts per foot (305mm) | 3.5 | 3.5 | 3.5 | 3.5 |

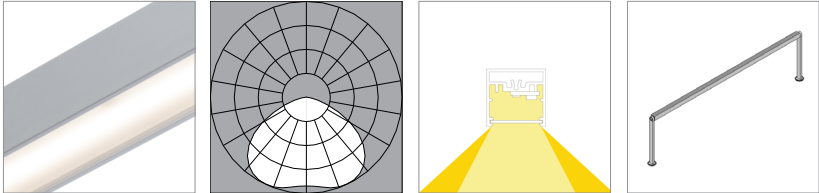
| Standard Output (SO) | 2700K | 3000K | 3500K | 4000K |
|----------------------------|-------|-------|-------|-------|
| Efficacy - Lumens per Watt | 108 | 111 | 113 | 114 |
| Lumens per foot (305mm) | 640 | 661 | 674 | 681 |
| Watts per foot (305mm) | 6.0 | 6.0 | 6.0 | 6.0 |

| High Output (HO) | 2700K | 3000K | 3500K | 4000K |
|----------------------------|-------|-------|-------|-------|
| Efficacy - Lumens per Watt | 100 | 104 | 106 | 107 |
| Lumens per foot (305mm) | 1226 | 1265 | 1291 | 1303 |
| Watts per foot (305mm) | 12.3 | 12.3 | 12.3 | 12.3 |

Performance | Zipper Board Optics

Zipper Board Optics design has 72 diodes per foot (305mm).

120° FlyWing (G2)



L80 >60,000 hours

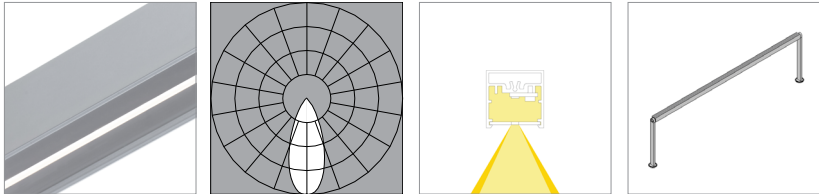
90 CRI (90min., 96 avg.)

| Low Output (LO) | 2700K | 3000K | 3500K | 4000K |
|----------------------------|-------|-------|-------|-------|
| Efficacy - Lumens per Watt | 95 | 98 | 100 | 101 |
| Lumens per foot (305mm) | 328 | 338 | 345 | 349 |
| Watts per foot (305mm) | 3.5 | 3.5 | 3.5 | 3.5 |

| Standard Output (SO) | 2700K | 3000K | 3500K | 4000K |
|----------------------------|-------|-------|-------|-------|
| Efficacy - Lumens per Watt | 110 | 114 | 116 | 117 |
| Lumens per foot (305mm) | 656 | 676 | 690 | 697 |
| Watts per foot (305mm) | 6.0 | 6.0 | 6.0 | 6.0 |

| High Output (HO) | 2700K | 3000K | 3500K | 4000K |
|----------------------------|-------|-------|-------|-------|
| Efficacy - Lumens per Watt | 102 | 105 | 107 | 108 |
| Lumens per foot (305mm) | 1246 | 1285 | 1311 | 1325 |
| Watts per foot (305mm) | 12.3 | 12.3 | 12.3 | 12.3 |

40° Symmetric (S1)



L80 >60,000 hours

90 CRI (90min., 96 avg.)

| Low Output (LO) | 2700K | 3000K | 3500K | 4000K |
|----------------------------|-------|-------|-------|-------|
| Efficacy - Lumens per Watt | 40 | 41 | 42 | 42 |
| Lumens per foot (305mm) | 136 | 140 | 143 | 145 |
| Watts per foot (305mm) | 3.5 | 3.5 | 3.5 | 3.5 |

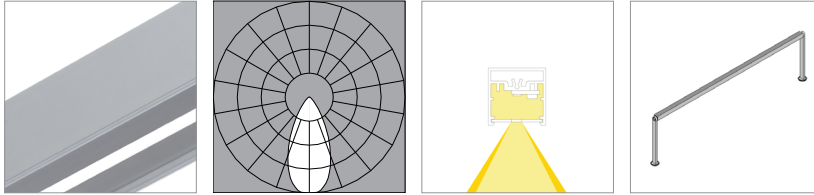
| Standard Output (SO) | 2700K | 3000K | 3500K | 4000K |
|----------------------------|-------|-------|-------|-------|
| Efficacy - Lumens per Watt | 46 | 47 | 48 | 49 |
| Lumens per foot (305mm) | 272 | 281 | 286 | 289 |
| Watts per foot (305mm) | 6.0 | 6.0 | 6.0 | 6.0 |

| High Output (HO) | 2700K | 3000K | 3500K | 4000K |
|----------------------------|-------|-------|-------|-------|
| Efficacy - Lumens per Watt | 43 | 44 | 45 | 45 |
| Lumens per foot (305mm) | 517 | 533 | 544 | 549 |
| Watts per foot (305mm) | 12.3 | 12.3 | 12.3 | 12.3 |

Performance | Zipper Board Optics

Zipper Board Optics design has 72 diodes per foot (305mm).

60° Symmetric (S2)



L80 >60,000 hours

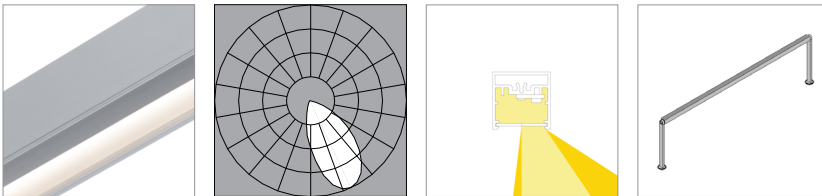
90 CRI (90min., 96 avg.)

| Low Output (LO) | 2700K | 3000K | 3500K | 4000K |
|----------------------------|-------|-------|-------|-------|
| Efficacy - Lumens per Watt | 54 | 55 | 56 | 57 |
| Lumens per foot (305mm) | 183 | 189 | 193 | 195 |
| Watts per foot (305mm) | 3.5 | 3.5 | 3.5 | 3.5 |

| Standard Output (SO) | 2700K | 3000K | 3500K | 4000K |
|-----------------------------|-------|-------|-------|-------|
| Efficacy - Lumens per Watt | 62 | 64 | 65 | 66 |
| Lumens per foot (305mm) | 367 | 379 | 386 | 390 |
| Watts per foot (305mm) | 6.0 | 6.0 | 6.0 | 6.0 |

| High Output (HO) | 2700K | 3000K | 3500K | 4000K |
|----------------------------|-------|-------|-------|-------|
| Efficacy - Lumens per Watt | 57 | 59 | 60 | 61 |
| Lumens per foot (305mm) | 697 | 719 | 734 | 741 |
| Watts per foot (305mm) | 12.3 | 12.3 | 12.3 | 12.3 |

85° Asymmetric (A1)



L80 >60,000 hours

90 CRI (90min., 96 avg.)

| Low Output (LO) | 2700K | 3000K | 3500K | 4000K |
|----------------------------|-------|-------|-------|-------|
| Efficacy - Lumens per Watt | 55 | 56 | 58 | 58 |
| Lumens per foot (305mm) | 187 | 193 | 197 | 199 |
| Watts per foot (305mm) | 3.5 | 3.5 | 3.5 | 3.5 |

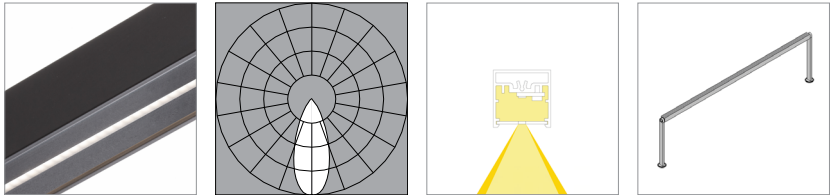
| Standard Output (SO) | 2700K | 3000K | 3500K | 4000K |
|-----------------------------|-------|-------|-------|-------|
| Efficacy - Lumens per Watt | 63 | 65 | 67 | 67 |
| Lumens per foot (305mm) | 375 | 387 | 395 | 398 |
| Watts per foot (305mm) | 6.0 | 6.0 | 6.0 | 6.0 |

| High Output (HO) | 2700K | 3000K | 3500K | 4000K |
|----------------------------|-------|-------|-------|-------|
| Efficacy - Lumens per Watt | 59 | 60 | 62 | 62 |
| Lumens per foot (305mm) | 712 | 735 | 750 | 757 |
| Watts per foot (305mm) | 12.3 | 12.3 | 12.3 | 12.3 |

Performance | Zipper Board Optics

Zipper Board Optics design has 72 diodes per foot (305mm).

40° Symmetric, black finish (S1-BL)



L80 >60,000 hours

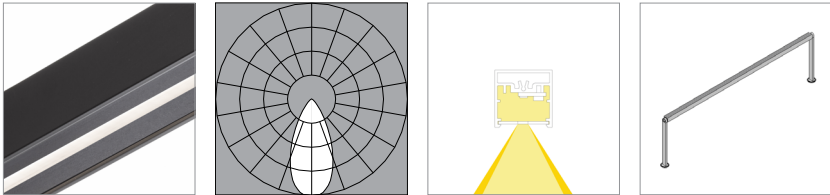
90 CRI (90min., 96 avg.)

| Low Output (LO) | 2700K | 3000K | 3500K | 4000K |
|----------------------------|-------|-------|-------|-------|
| Efficacy - Lumens per Watt | 29 | 30 | 31 | 31 |
| Lumens per foot (305mm) | 99 | 102 | 104 | 105 |
| Watts per foot (305mm) | 3.5 | 3.5 | 3.5 | 3.5 |

| Standard Output (SO) | 2700K | 3000K | 3500K | 4000K |
|----------------------------|-------|-------|-------|-------|
| Efficacy - Lumens per Watt | 34 | 35 | 35 | 36 |
| Lumens per foot (305mm) | 197 | 204 | 208 | 210 |
| Watts per foot (305mm) | 6.0 | 6.0 | 6.0 | 6.0 |

| High Output (HO) | 2700K | 3000K | 3500K | 4000K |
|----------------------------|-------|-------|-------|-------|
| Efficacy - Lumens per Watt | 31 | 32 | 33 | 33 |
| Lumens per foot (305mm) | 375 | 387 | 395 | 399 |
| Watts per foot (305mm) | 12.3 | 12.3 | 12.3 | 12.3 |

60° Symmetric, black finish (S2-BL)



L80 >60,000 hours

90 CRI (90min., 96 avg.)

| Low Output (LO) | 2700K | 3000K | 3500K | 4000K |
|----------------------------|-------|-------|-------|-------|
| Efficacy - Lumens per Watt | 34 | 35 | 35 | 36 |
| Lumens per foot (305mm) | 115 | 118 | 121 | 122 |
| Watts per foot (305mm) | 3.5 | 3.5 | 3.5 | 3.5 |

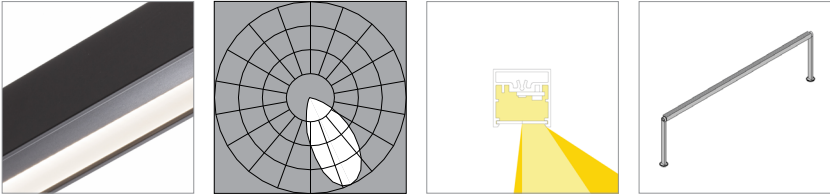
| Standard Output (SO) | 2700K | 3000K | 3500K | 4000K |
|----------------------------|-------|-------|-------|-------|
| Efficacy - Lumens per Watt | 39 | 40 | 41 | 41 |
| Lumens per foot (305mm) | 230 | 237 | 242 | 244 |
| Watts per foot (305mm) | 6.0 | 6.0 | 6.0 | 6.0 |

| High Output (HO) | 2700K | 3000K | 3500K | 4000K |
|----------------------------|-------|-------|-------|-------|
| Efficacy - Lumens per Watt | 36 | 37 | 38 | 38 |
| Lumens per foot (305mm) | 436 | 450 | 459 | 464 |
| Watts per foot (305mm) | 12.3 | 12.3 | 12.3 | 12.3 |

Performance | Zipper Board Optics

Zipper Board Optics design has 72 diodes per foot (305mm).

85° Asymmetric, black finish (A1-BL)



L80 >60,000 hours

90 CRI (90min., 96 avg.)

| Low Output (LO) | 2700K | 3000K | 3500K | 4000K |
|-----------------------------|-------|-------|-------|-------|
| Efficacy - Lumens per Watt | 44 | 46 | 47 | 47 |
| Lumens per foot (305mm) | 152 | 157 | 160 | 162 |
| Watts per foot (305mm) | 3.5 | 3.5 | 3.5 | 3.5 |
| Standard Output (SO) | | | | |
| | 2700K | 3000K | 3500K | 4000K |
| Efficacy - Lumens per Watt | 51 | 53 | 54 | 55 |
| Lumens per foot (305mm) | 304 | 314 | 320 | 323 |
| Watts per foot (305mm) | 6.0 | 6.0 | 6.0 | 6.0 |
| High Output (HO) | | | | |
| | 2700K | 3000K | 3500K | 4000K |
| Efficacy - Lumens per Watt | 48 | 49 | 50 | 51 |
| Lumens per foot (305mm) | 578 | 596 | 608 | 614 |
| Watts per foot (305mm) | 12.3 | 12.3 | 12.3 | 12.3 |

Copyright © 2025 Vode Lighting LLC. All rights reserved. Vode, the Vode logo, BoxRail, FlyWing, MicroBaffle, Button Board, Zipper Board, Zero Canopy, Zero Block, VodeNODE and other names are either registered trademarks or trademarks of Vode Lighting LLC in the United States and may be registered in other countries. All other trademarks listed herein belong to their respective owners. Due to ongoing innovation, specification details may change without notice.