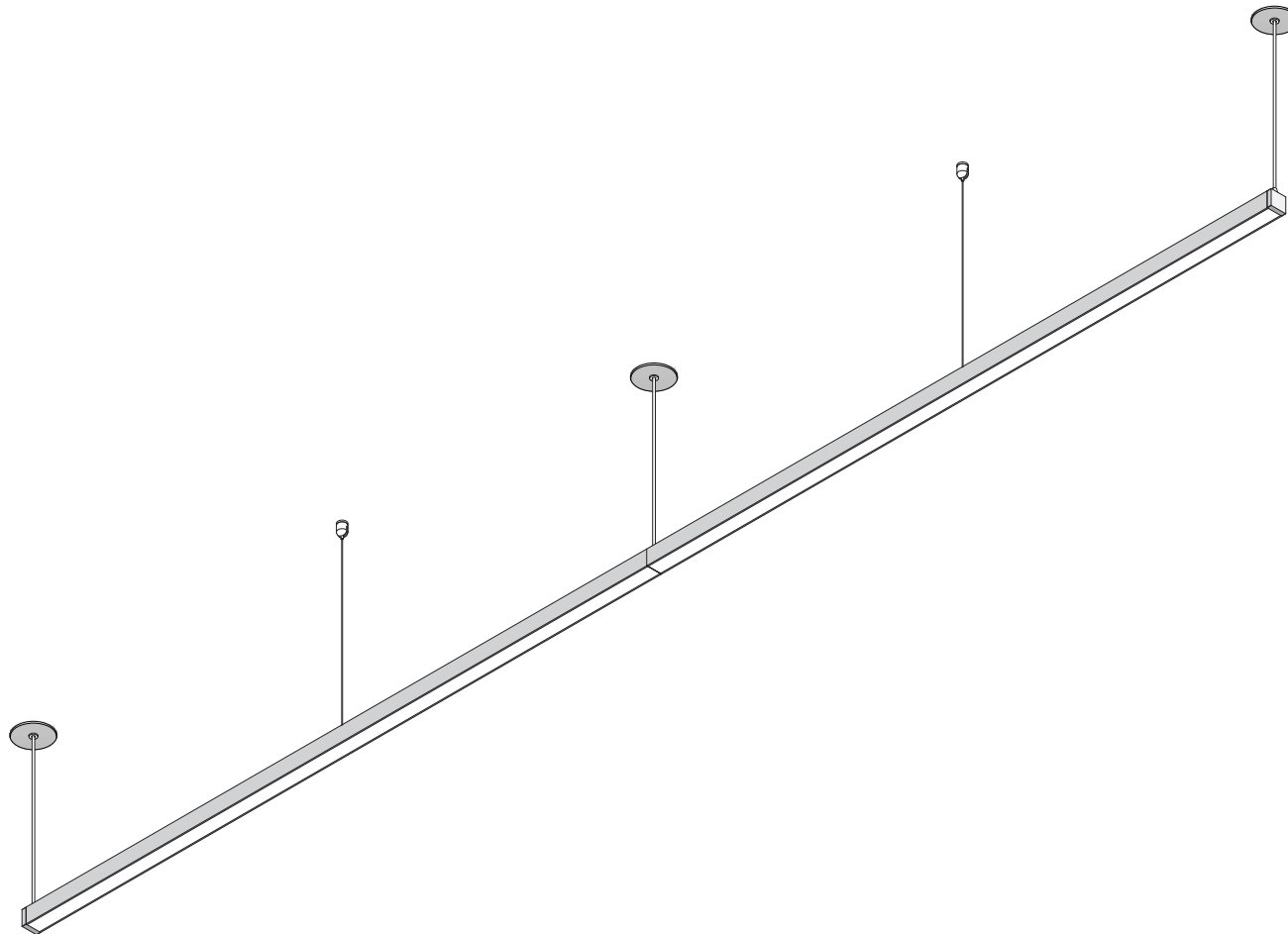


Ceiling Cable | 207 | BoxRail® | Direct/Indirect | Remote Power | Small Canopy

Please read instructions in their entirety before proceeding with any part of the installation. This product must be installed in accordance with the applicable installation code by a person familiar with the construction and operation of the product and the hazards involved. Consult a qualified electrician to ensure correct branch circuit rating. To prevent electric shock, disconnect all power before installing or servicing product. Rated for use in dry and damp locations only. Retain instructions for future reference.

Technical Support: 707.996.9898 or technicalsupport@vode.com

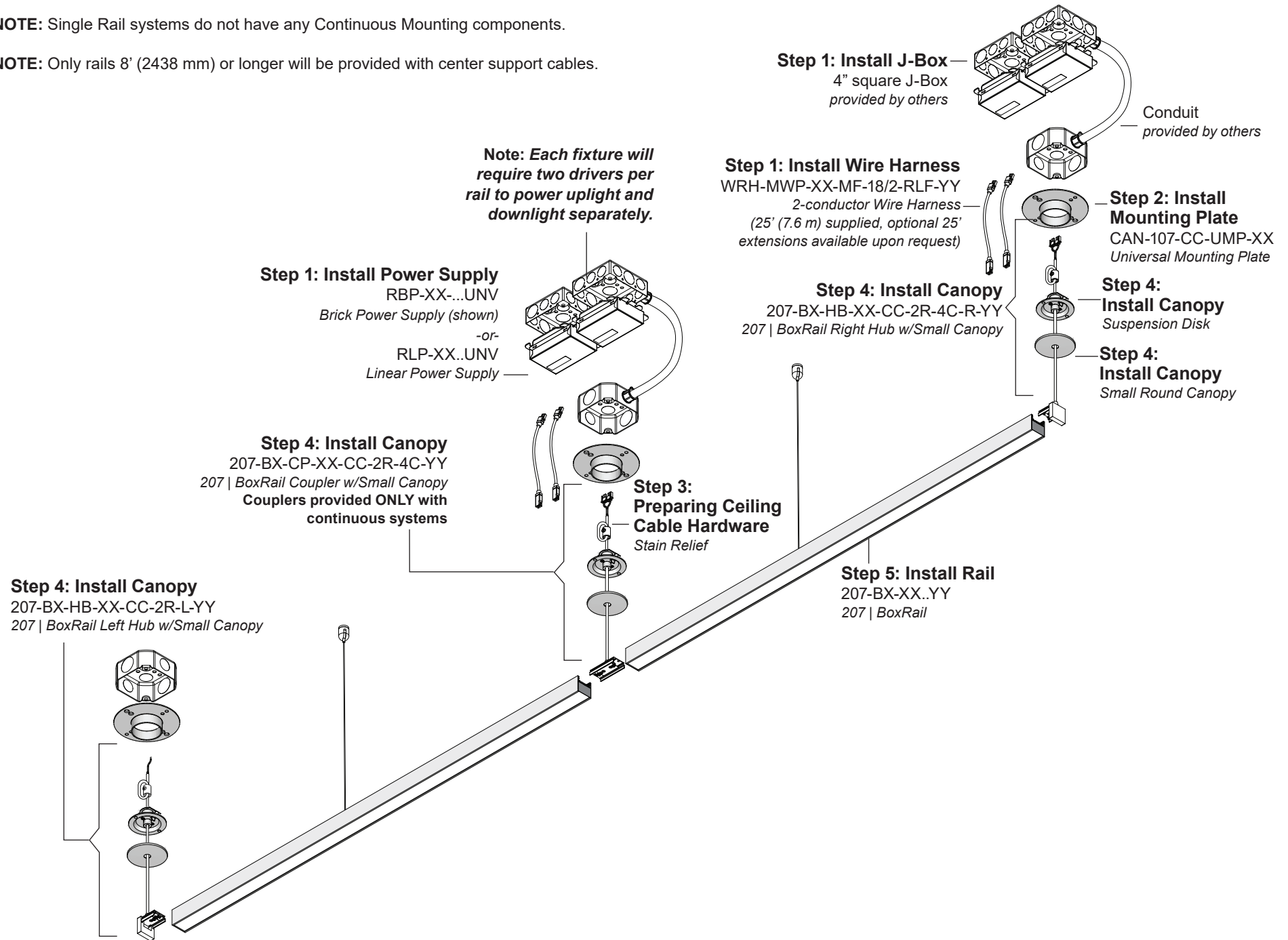
Installed View



NOTE: Single Rail systems do not have any Continuous Mounting components.

NOTE: Only rails 8' (2438 mm) or longer will be provided with center support cables.

Note: Each fixture will require two drivers per rail to power uplight and downlight separately.



Step 1: Install J-Box and Power Supply

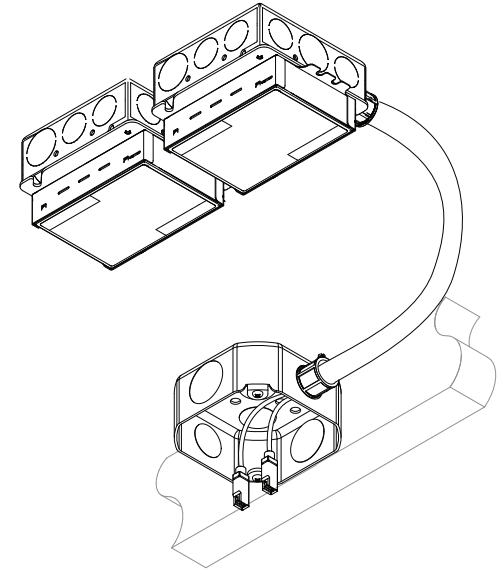
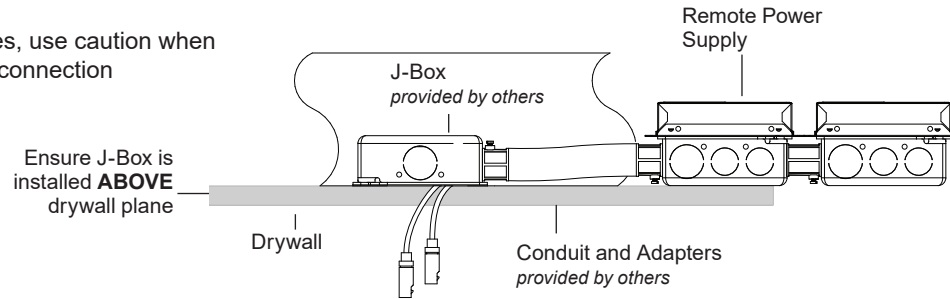
IMPORTANT! Accurate placement and alignment of junction boxes is critical as it will determine the alignment of the entire system. If system will be supplied with a brick driver, separate j-boxes will be needed for mounting the power supply and the rail system. Vode small canopy mounting is designed for 5/8" drywall

Refer to appendix for installation of remote power housing.

Mount 3.5" octagonal j-box for canopy mounting in desired location using the center to center dimensions on page 6. If necessary, install conduit per local building code. Make conduit connections between remote power supply housing and j-box. All mounting locations will require a j-box for installation but only one side of each rail requires power. Connect supplied plenum rated wire harness to pre-installed wire harness on remote power supply and run to j-box. Leave approximately 1" of wire harness hanging out of j-box.

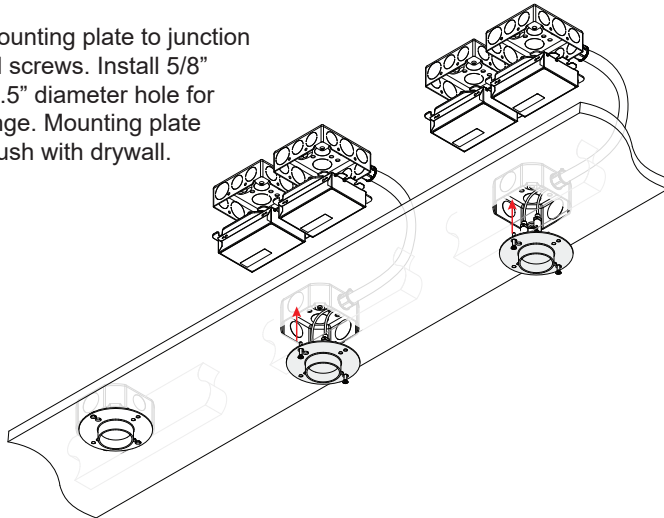
If using optional extensions harnesses, use caution when pulling through conduit to ensure no connection is broken.

DO NOT POWER ON SYSTEM



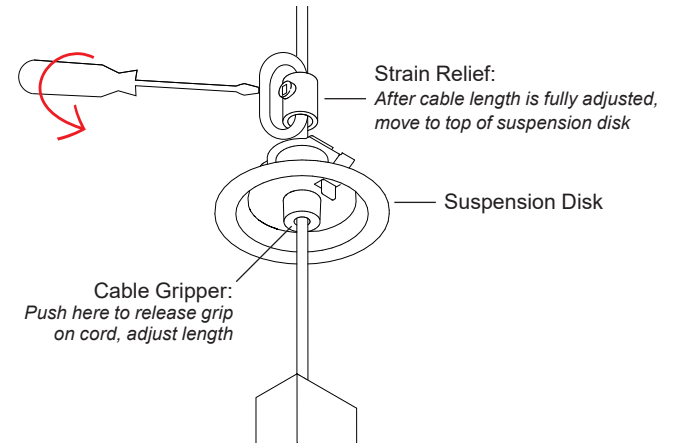
Step 2: Install Mounting Plate

Mount universal mounting plate to junction box using provided screws. Install 5/8" drywall, cutting a 2.5" diameter hole for mounting plate flange. Mounting plate flange should be flush with drywall.



Step 3: Preparing Ceiling Cable Hardware

Adjust cable for Hub/Coupler Mounting Assembly by firmly pressing cable gripper into suspension disk and pulling cable. Release cable gripper and adjust cable. Move clear plastic strain relief directly on top of suspension disk, as shown. Secure set screw on cable gripper, **turning to just tight, do NOT over tighten.**



Step 4: Install Canopy

NOTE: If corner is supplied, install as below.

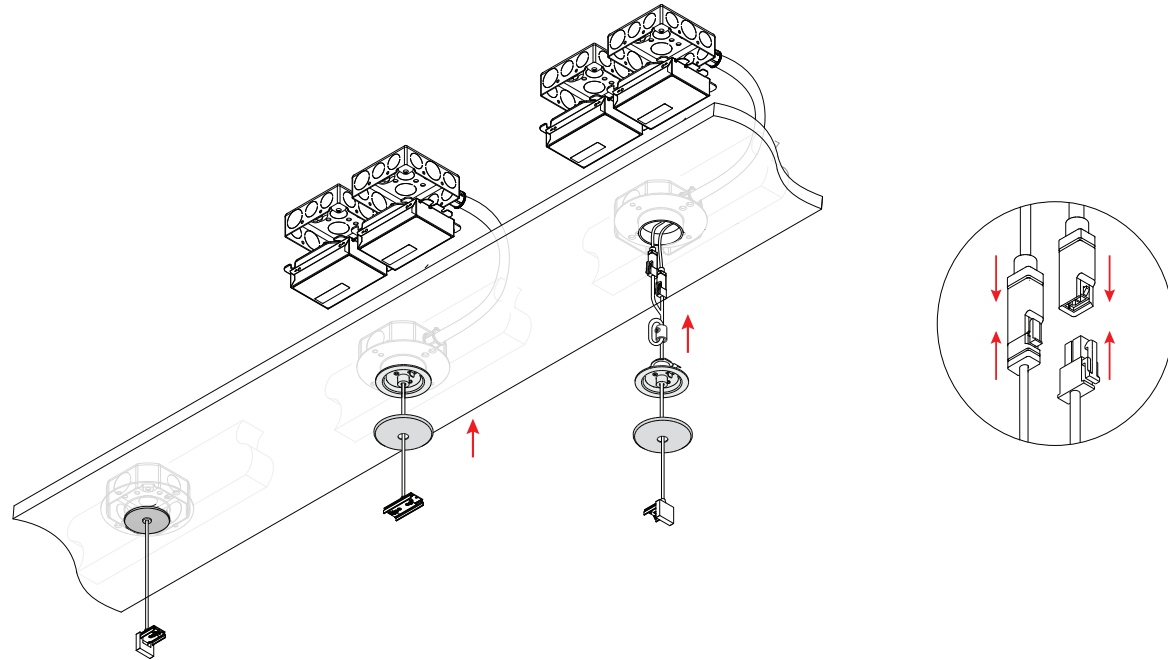
Connect wire harness to hub/coupler assembly, as shown. Push remaining cable inside j-box.

Press suspension disk into universal mounting plate and fine tune cable length using cable gripper. When complete, secure suspension cable by gently tightening hex screw.

Do not over tighten!

Slide canopy up suspension cable to suspension disk. Magnets in suspension disk will secure canopy in place.

NOTE: Each hub/coupler has 1 connector labeled with **GREEN** to indicate power for uplight/indirect.



Step 5: Install Rail

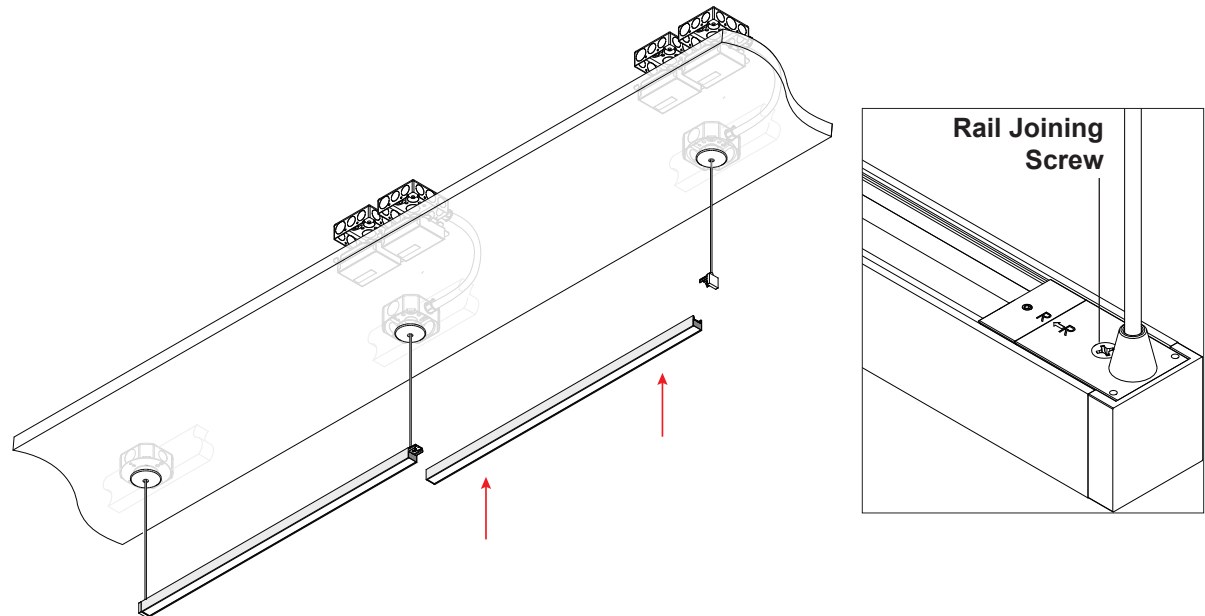
Slide the rail onto the hub/coupler, paying special attention to which end is powered. Each hub/coupler is labeled either R or L with the R (*right*) end being the powered end of the rail.

Match the powered rail end to the R label on the hub/coupler. Once rail is installed firmly into the hub, tighten installed flat head rail joining screw on top of the hub/coupler into the threaded hole on rail extrusion.

NOTE: Be sure to line the joining screw up with the corresponding threaded hole in the extrusion to ensure a proper fit.

Always start with the powered hub connection and work your way down the system until all rails are installed following the above steps. A secure, level connection to the hub/coupler is essential to the proper installation of the system.

If rail is 8' (2438 mm) or longer, see step 6.



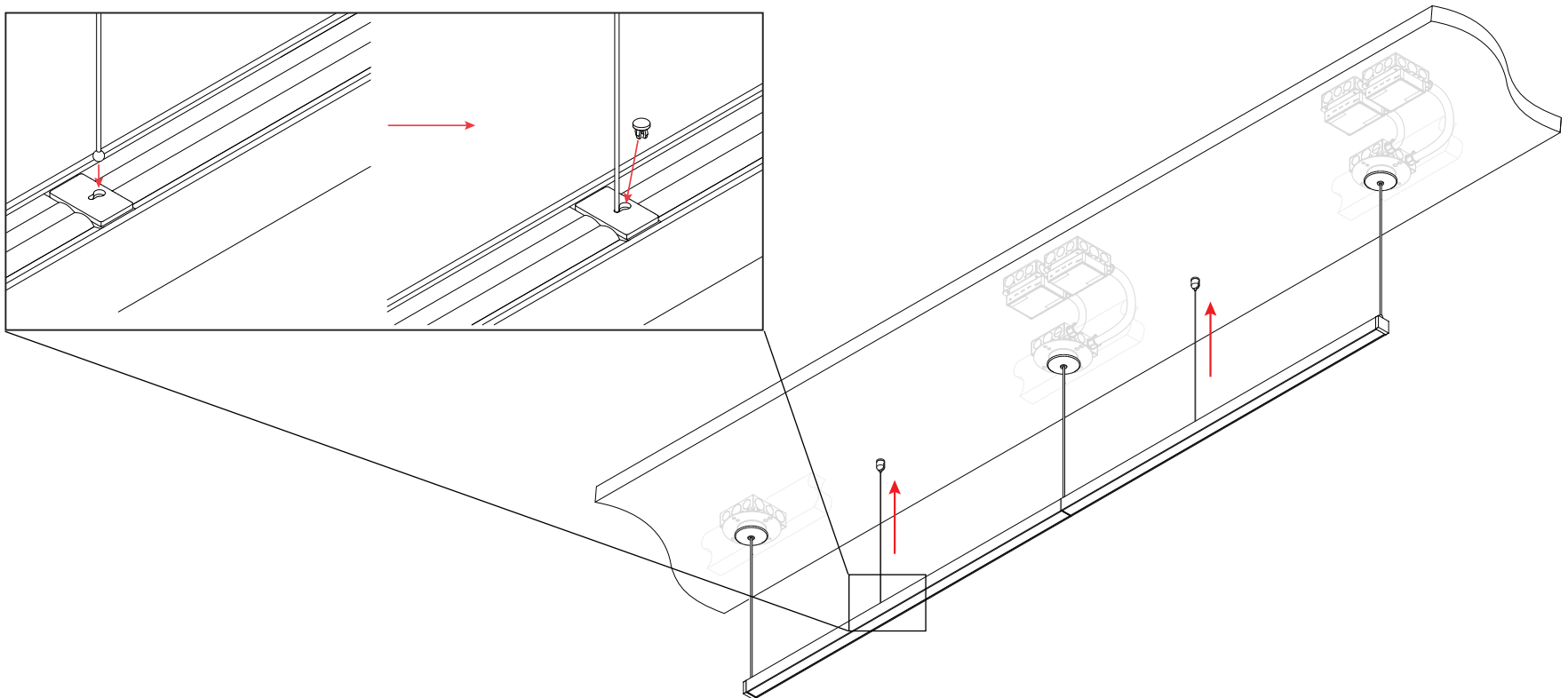
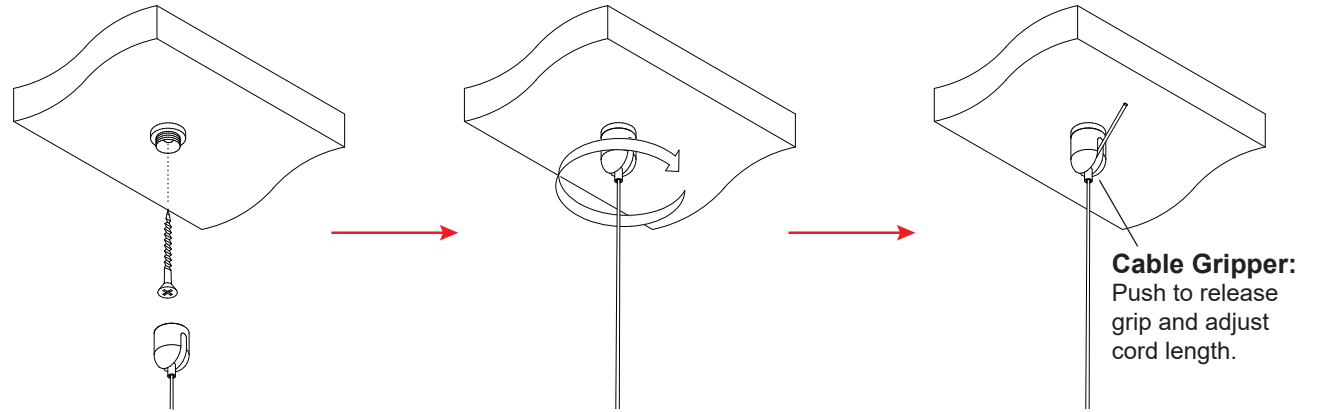
POWER SYSTEM ON

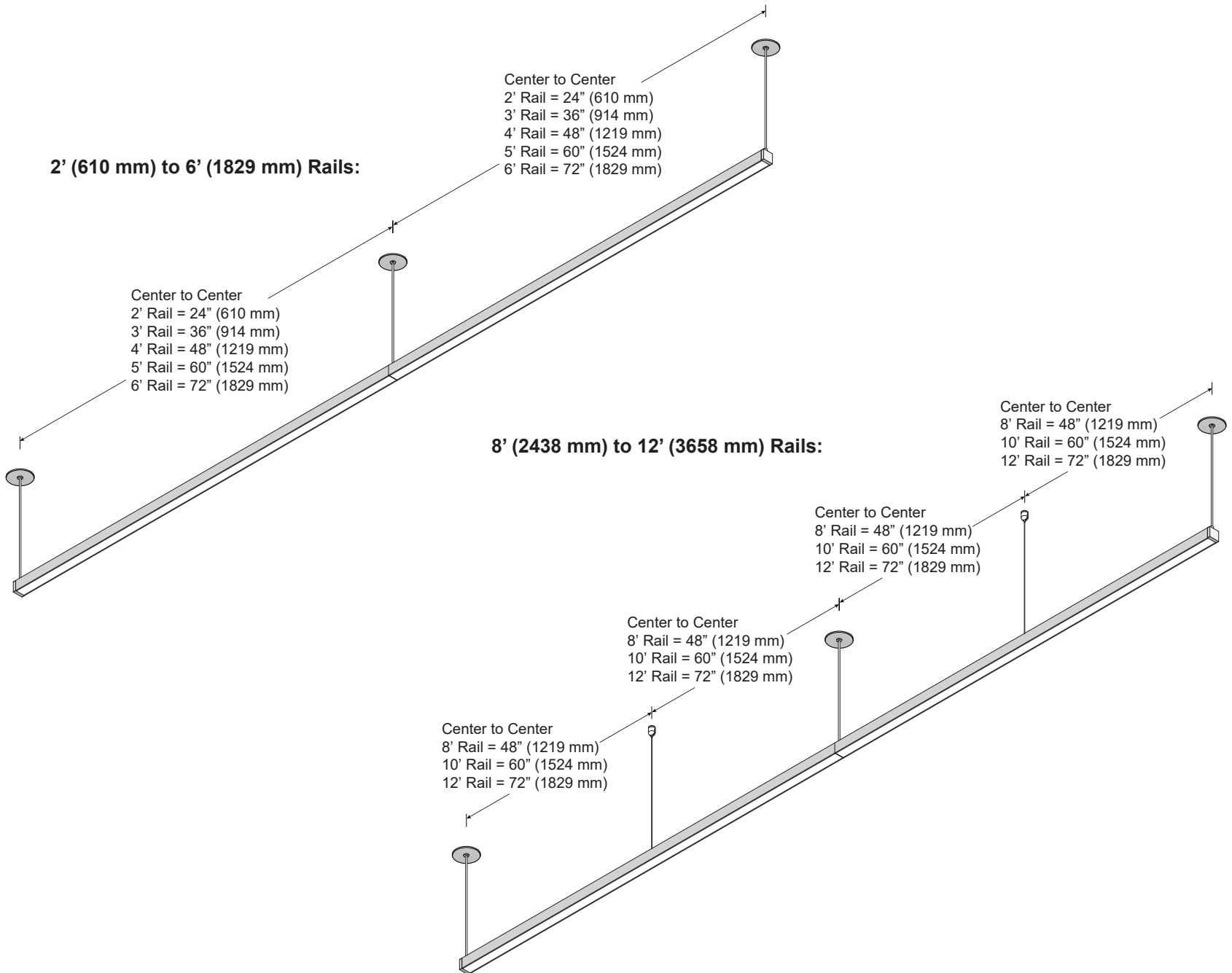
Step 6: Install Suspension Support Cables only for rails 8' (2438 mm) to 12' (3658 mm)

Carefully unscrew anchor from cable coupler. Using screw (*provided by others*), secure anchor at all locations. Screw cable coupler to back plate and loosely adjust cable gripper.

Install the included support cable into the rail, as shown below. Be sure to lock the cable in place using the provided bushing.

Adjust the levelness and straightness of the cables by adjusting the cable gripper and suspension points. Once complete, trim any excess aircraft cable hanging out, leaving at least 5 mm hanging out. Fully tighten all suspension point set screws to secure system in place.





Install Remote Brick Power Supply

IMPORTANT! Before installing any power supply, turn off electricity at circuit box.

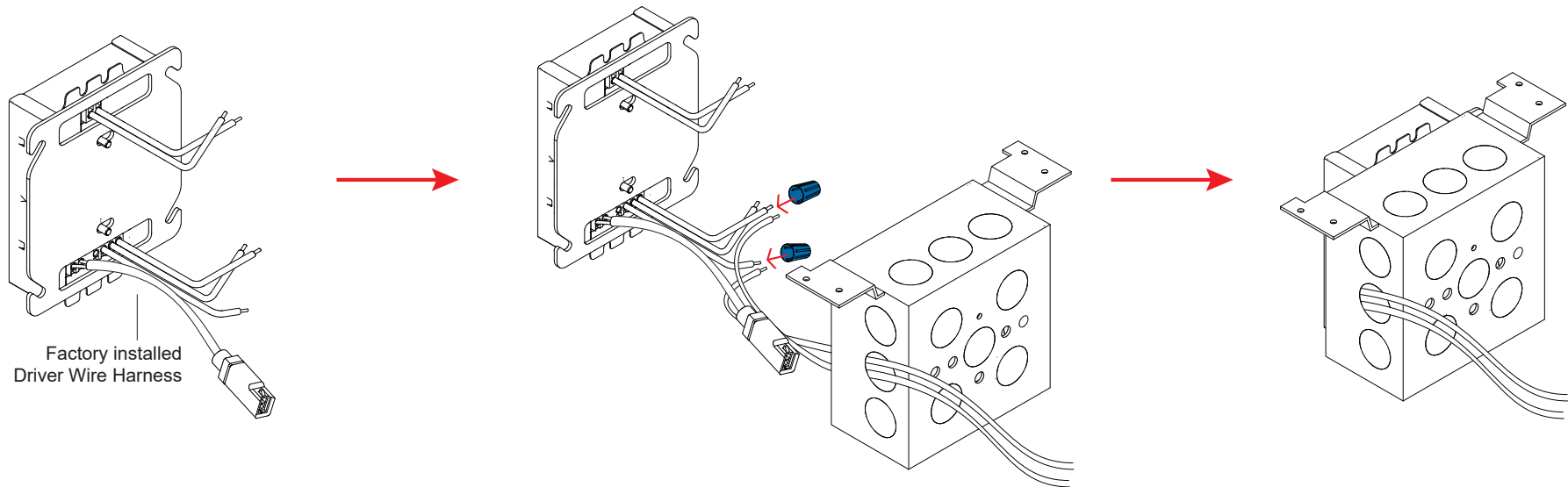
NOTE: Vode Brick style driver mounting plate is designed to mount only to 4" Square metal j-boxes with a minimum volume of 21 cu. in. Mounting plate contains important installation labeling, please consult to ensure correct driver is installed with correct corresponding rail.

Install j-box (*provided by others*) to desired surface using screws (*provided by others*). Run line, ground and neutral wiring and any applicable dimming controls into j-box through knockout and secure in place, using conduit as necessary per local coding. Use wire nuts (*provided by others*) to make a secure connection between all wiring. (*The provided wire leads are 18 AWG solid core*).

DO NOT power on system until instructed.

For remote power supply maximum distance or wiring questions, please consult **Vode Remote Power Guide**.

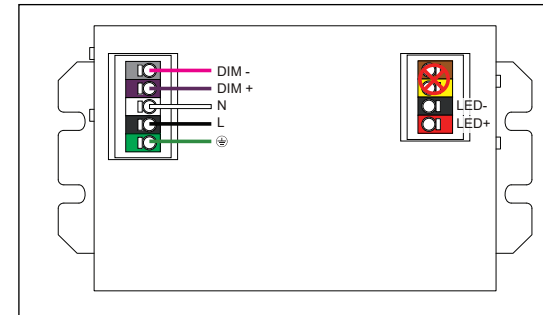
NOTE: If power housing is supplied pre-wired with cord and plug and wire harness installed, skip above steps and power system when instructed by plugging system into a standard outlet.



Max Remote Driver Distance

Driver	Remote Distance
eldoLED	100' (30.5 m)
Lutron	See Vode Power Guide

For other wiring questions and driver specific information, see **Vode Remote Power Guide**.



Example Only

See *Vode Remote Power Guide* for wiring detail.

Install Remote Linear Power Supply

IMPORTANT! Before installing any power supply, turn off electricity at circuit box.

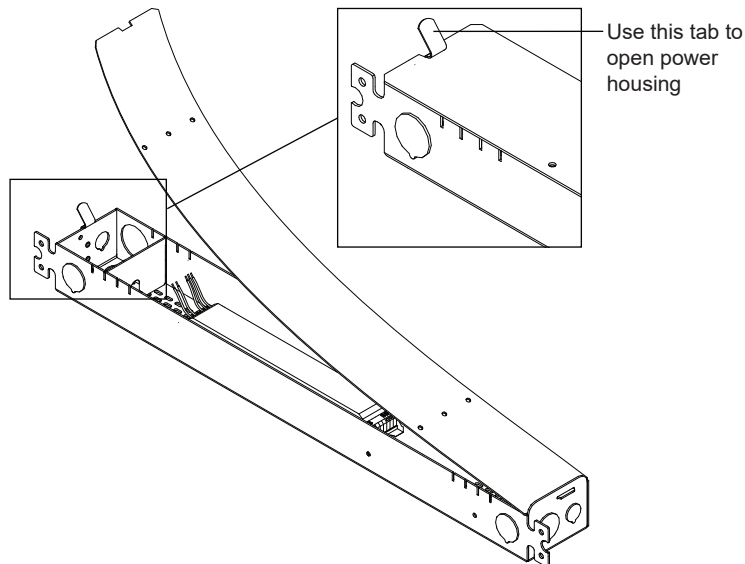
Vode recommends keeping track of which lids comes with which housing, as the lid contains important installation labeling.

Using the indicated tab, remove power housing lid to access mounting points. Install power supply housing to desired surface using screws (*provided by others*). Run line, ground and neutral wiring and any applicable dimming controls into power housing through any provided knockout and secure in place, using conduit as necessary per local coding. Use wire nuts (*provided by others*) to make a secure connection between all wiring. (*The provided wire leads are 18 AWG solid core*).

DO NOT power on system until instructed.

For remote power supply maximum distance or other wiring questions, please consult Vode Power Guide.

NOTE: If power housing is supplied pre-wired with cord and plug and wire harness installed, skip above steps and power system when instructed by plugging system into a standard outlet.

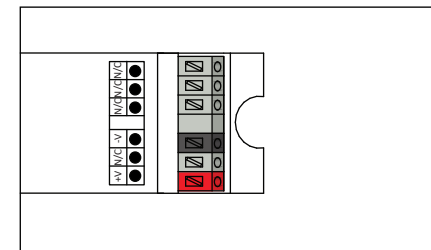


Remote Driver Distance

All Vode linear remote drivers come in a 0.054" (1.4 mm) formed galvanized steel power supply housing with five (5) knockouts: (4) 1-1/8", (1) 7/8" and (1) 9/16". Power supply housing dimensions: 2 3/8" (56 mm) x 1 5/8" (33 mm) x 20 1/16" (525 mm)

Driver	Remote Distance
eldoLED	100' (30.5 m)
OSRAM	16' (4.8 m)
Magnitude	100' (30.5 m)
Lutron	See Power Guide

For other wiring questions and driver specific information, see **Vode Remote Power Guide**.



Example Only
See Vode Remote Power Guide for wiring detail.

Trouble Shooting Guide

My fixture will not turn on:

Check all wiring is correct and all connections are fastened properly.

If all wiring is correct, remove fixture and connect it to a known working driver.

If the fixture lights up, then the problem is with the installed driver or wiring:

- 1) Check line voltage to driver is present.
- 2) Check driver wiring (see **Vode Power Guide for details**) and check wiring to fixture.
- 3) Check driver and dimming system are compatible (see **Vode Power Guide and the dimmer manufacturer's website**).
- 4) Check that all rails are installed level to allow all power connections to be made properly. Levelness of the rail is essential.

If fixture still doesn't light up, check that all dimming wires are installed correctly. Reversed polarity on any driver will cause the entire system to not work, (see **Vode Power Guide for wiring details**).

The fixture is not dimming properly:

Check all wiring is correct and all connections are fastened properly.

Check driver wiring (see **Vode Power Guide for details**). Make sure driver is compatible with dimming controls (see **Vode Power Guide and the dimmer manufacturer's website**).

For any help with operation or technical information, contact Vode Tech Service at 707-996-9898 or technicalsupport@vode.com.

Important Notes

- Listed to UL standards for damp location by a Nationally Recognized Testing Laboratory (NRTL) recognized by OSHA
- Power Type: Class 2 (<60v) constant current driver.
- Dimming curve is factory preset to linear. Logarithmic is available upon request. See Vode Driver Guide for specific details and wiring diagram.
- Unless specified, one driver per rail will be supplied.
- 5 Year Limited Warranty. All material and component parts manufactured by Vode are guaranteed to be free from defects of material and/or workmanship for a period of 5 years from date of sale. Product must be installed according to Vode installation instructions and accepted trade practices. Power supplies and other auxiliary equipment are not covered under Vode warranty but may be covered by separate OEM warranty.