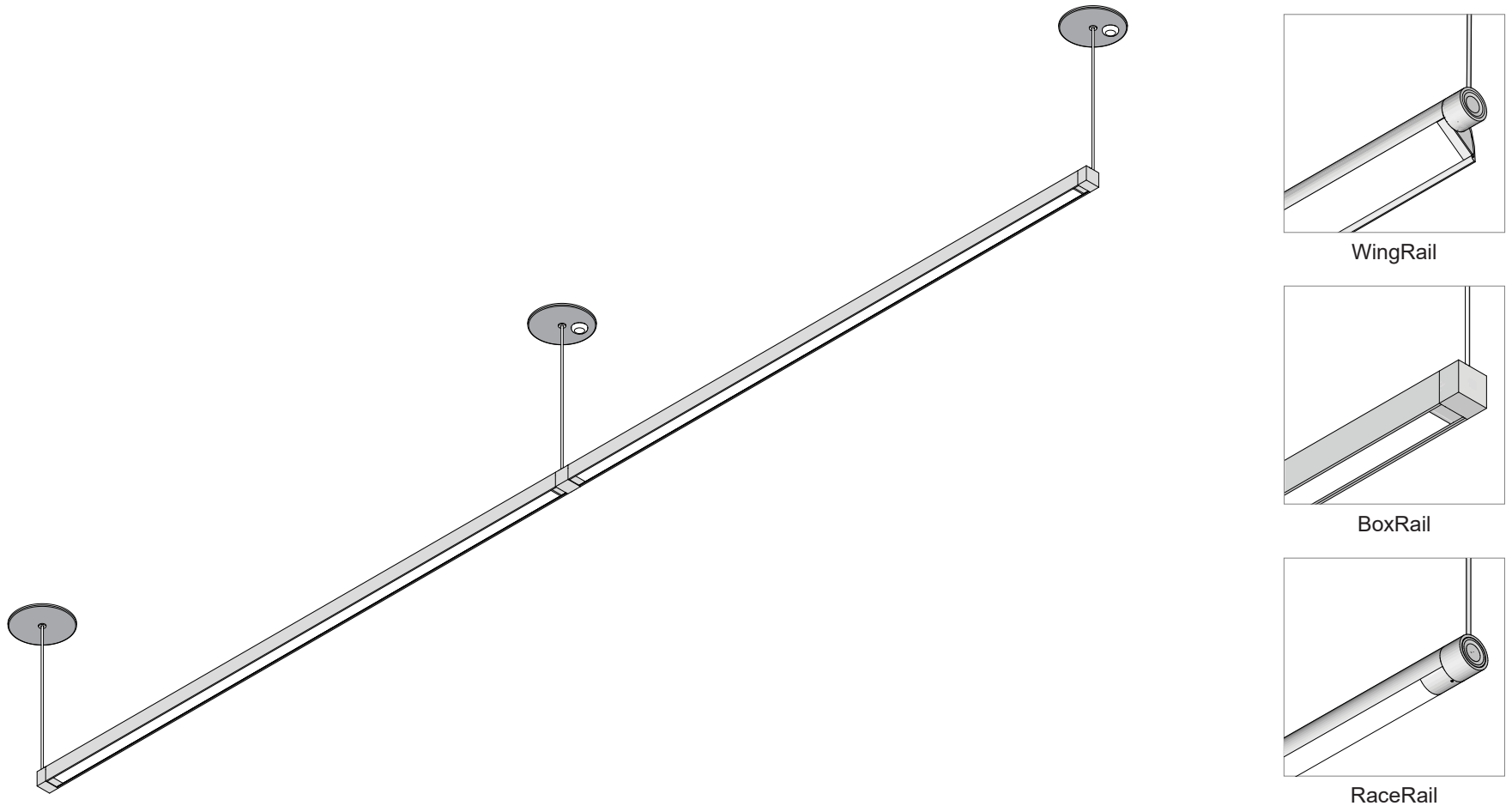


Ceiling Cable | 107 | BoxRail®, RaceRail®, and WingRail® | Remote Power | Large Canopy | vodeCONNECT™

Please read instructions in their entirety before proceeding with any part of the installation. This product must be installed in accordance with the applicable installation code by a person familiar with the construction and operation of the product and the hazards involved. Consult a qualified electrician to ensure correct branch circuit rating. To prevent electric shock, disconnect all power before installing or servicing product. Rated for use in dry and damp locations only. Retain instructions for future reference.

Technical Support: 707.996.9898 or technicalsupport@vode.com

Installed View

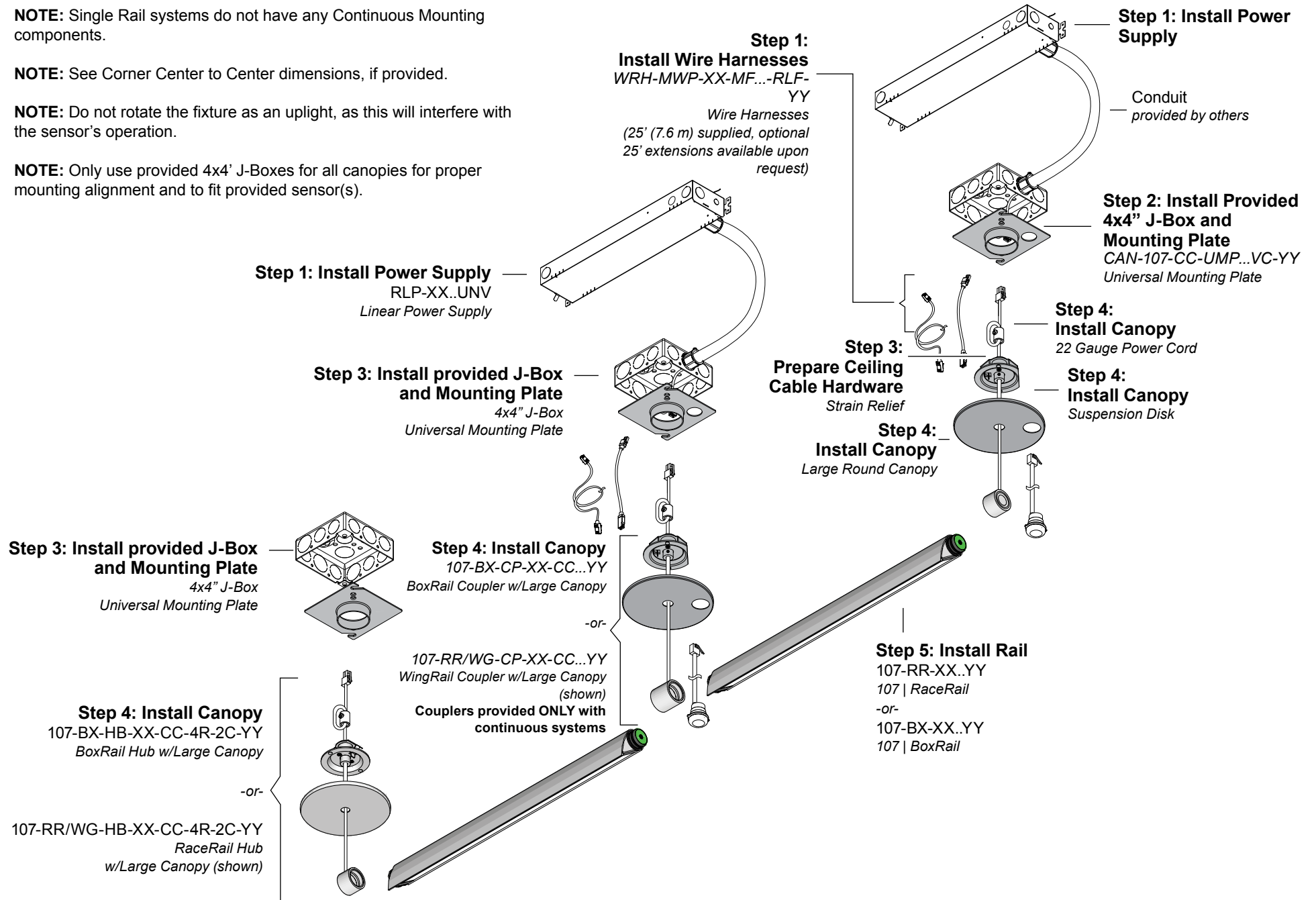


NOTE: Single Rail systems do not have any Continuous Mounting components.

NOTE: See Corner Center to Center dimensions, if provided.

NOTE: Do not rotate the fixture as an upright, as this will interfere with the sensor's operation.

NOTE: Only use provided 4x4" J-Boxes for all canopies for proper mounting alignment and to fit provided sensor(s).



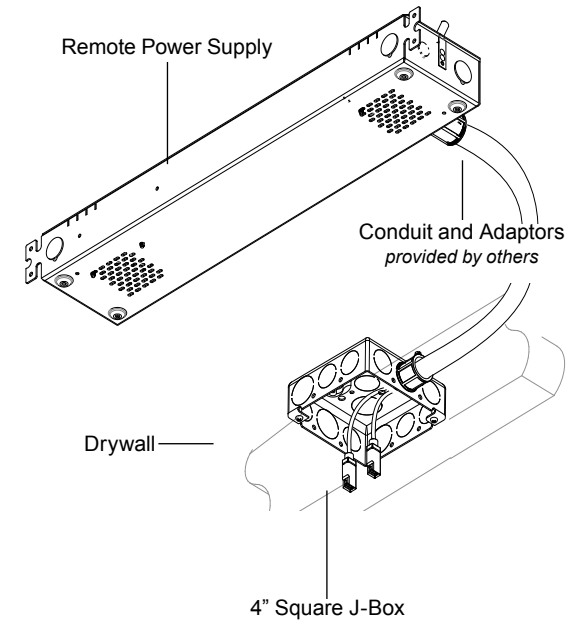
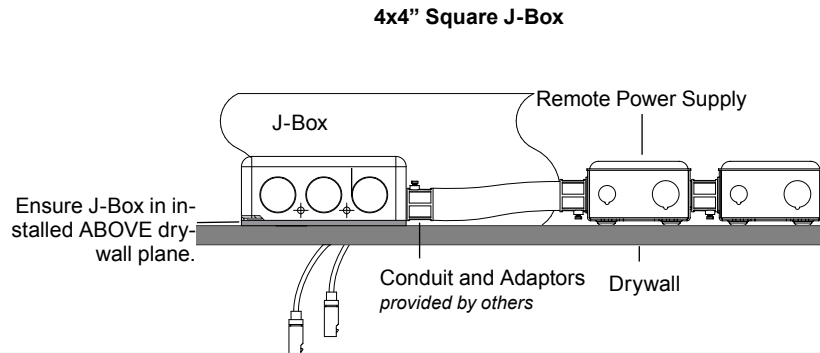
Step 1: Install J-Box, Power Supply and Wire Harness

IMPORTANT! Accurate placement and alignment of junction boxes is critical as it will determine the alignment of the entire system.

Refer to appendix for installation of remote power housing.

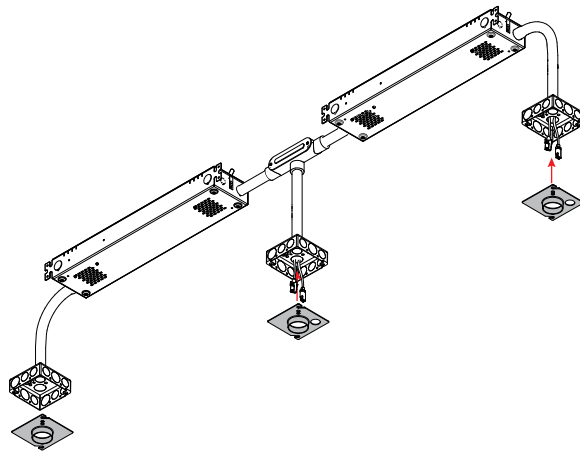
Mount 4x4" square j-box for canopy mounting in desired location using the center to center dimensions on page 6. If necessary, install conduit per local building code. Make conduit connections between remote power supply housing and j-box. All mounting locations will require a j-box for installation but only one side of each rail requires power. Connect supplied plenum rated wire harnesses to pre-installed wire harnesses on remote power supply and run to j-box. Leave approximately 1" of wire harness hanging out of j-box.

DO NOT POWER ON SYSTEM



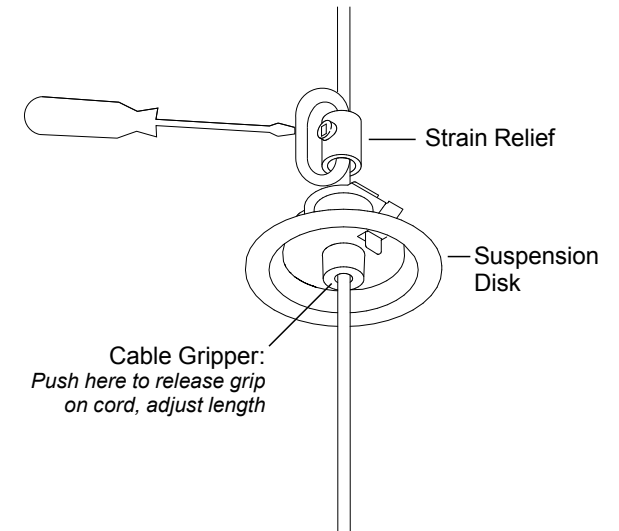
Step 2: Install Universal Mounting Plate

Install 5/8" drywall, careful to not cover j-box. The face of the j-box to be flush with drywall, as shown below. Install universal mounting plate with screws provided and with protrusion facing inwards.



Step 3: Preparing Ceiling Cable Hardware

Adjust cable for Hub/Coupler Mounting Assembly by firmly pressing cable gripper into suspension disk and pulling cable. Release cable gripper and adjust cable. Move clear plastic strain relief directly on top of suspension disk as shown. Secure set screw on cable gripper, turning to just tight, do NOT over tighten.



Step 4: Install Canopy

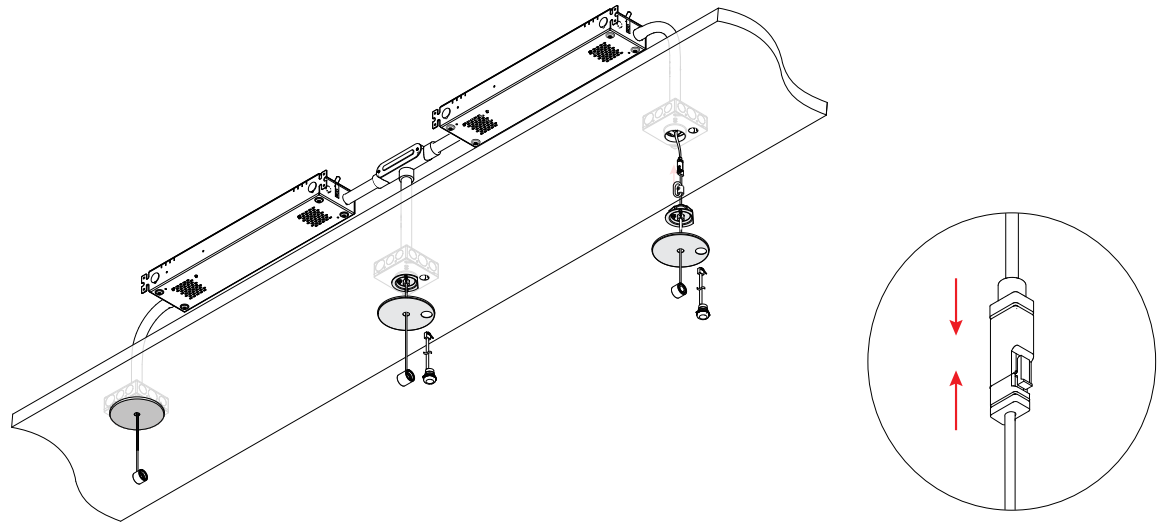
NOTE: If corner is supplied, install as below.

Connect wire harness to hub/coupler assembly, as shown. Push remaining cable inside j-box.

Press suspension disk into universal mounting plate and fine tune cable length using cable gripper. When complete, secure suspension cable by gently tightening hex screw.

Do not over tighten!

Slide canopy up suspension cable to suspension disk. Magnets in suspension disk will secure canopy in place.

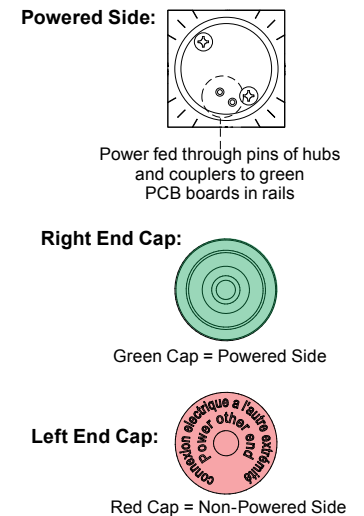
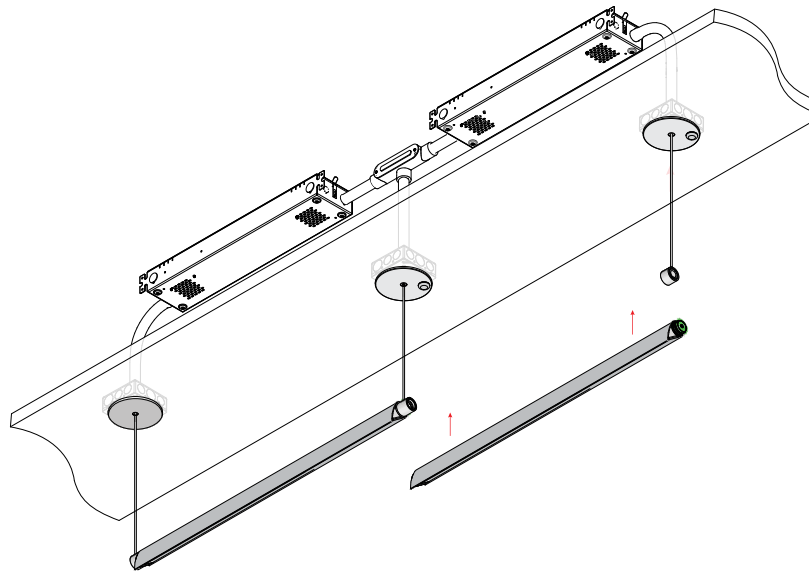


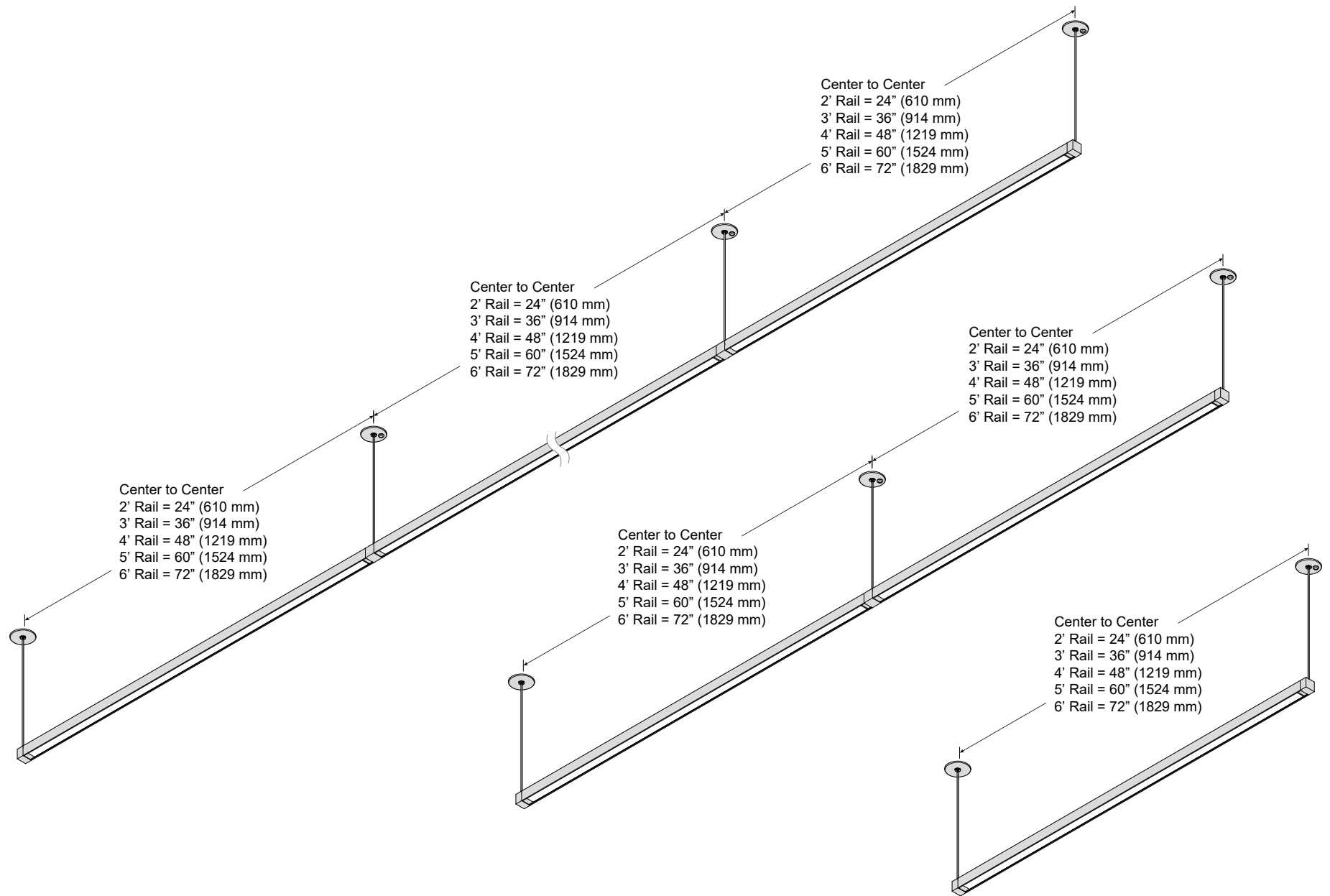
Step 5: Install Rail

Snap the rail into the hub/coupler, paying special attention to which end is powered. The rail will have two ends, one end cap will have a green circle, this end is inserted into the powered side of the hub/coupler. The other end cap will have a red circle, this end is inserted into the non-powered side of the hub/coupler. Once rail is installed firmly into the hub/coupler and is facing in the desired direction, tighten installed set screws on top of hub / coupler using the provided hex key.

POWER SYSTEM ON

NOTE: Coupler is supplied with a powered and non-powered side.





Install Remote Linear Power Supply

IMPORTANT! Before installing any power supply, turn off electricity at circuit box.

Vode recommends keeping track of which lids comes with which housing, as the lid contains important installation labeling.

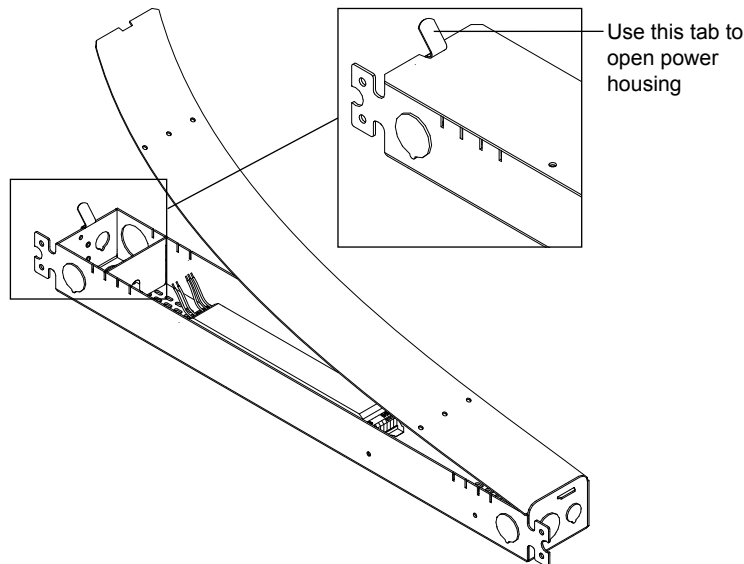
Using the indicated tab, remove power housing lid to access mounting points. Install power supply housing to desired surface using screws (*provided by others*). Run line, ground and neutral wiring and any applicable dimming controls into power housing through any provided knockout and secure in place, using conduit as necessary per local coding. Use wire nuts (*provided by others*) to make a secure connection between all wiring. (*The provided wire leads are 18 AWG solid core*).

Refer to sensor manufacturer’s install guide for detailed sensor calibration and configuration instructions.

DO NOT power on system until instructed.

For remote power supply maximum distance or other wiring questions, please consult Vode Power Guide.

NOTE: If power housing is supplied pre-wired with cord and plug and wire harness installed, skip above steps and power system when instructed by plugging system into a standard outlet.

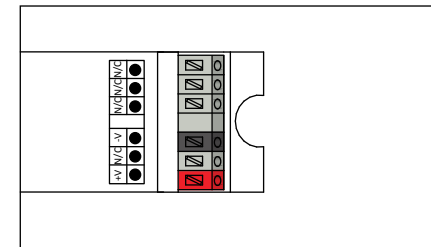


Remote Driver Distance

All Vode linear remote drivers come in a 0.054” (1.4 mm) formed galvanized steel power supply housing with five (5) knockouts: (4) 1-1/8”, (1) 7/8” and (1) 9/16”. Power supply housing dimensions: 2 3/8” (56 mm) x 1 5/8” (33 mm) x 20 11/16” (525 mm)

Driver	Remote Distance
eldoLED	100’ (30.5 m)
Lutron	See Power Guide
Magnitude	100’ (30.5 m)
OSRAM	100’ (30.5 m)

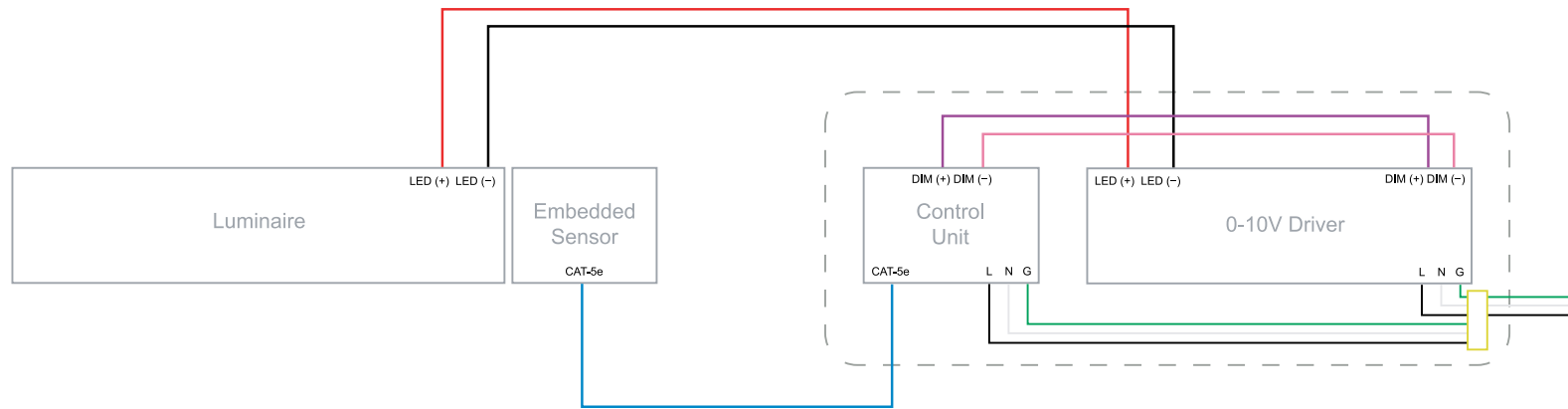
For other wiring questions and driver specific information, see **Vode Remote Power Guide**.



Example Only
See Vode Remote Power Guide for wiring detail.

Sensor	Remote Distance
Enlighted Micro Sensor	100’ (30.5 m)
Legrand Wattstopper	100’ (30.5 m)
Lutron Athena	100’ (30.5 m)

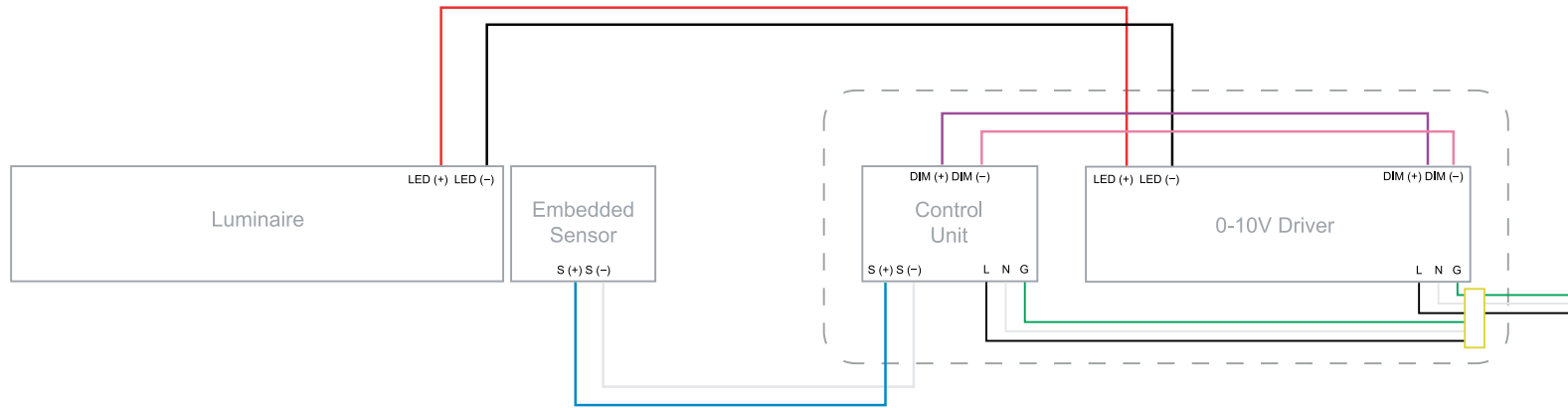
A 0-10V driver with control unit



B DALI D4i driver without control unit, 2-wire sensor kit



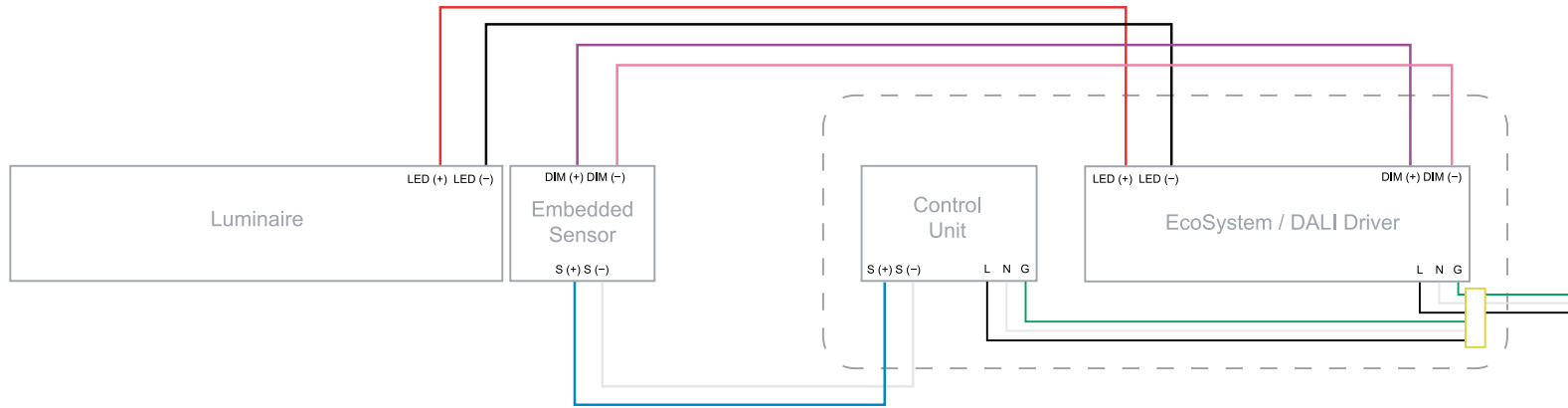
A 0-10V driver with control unit



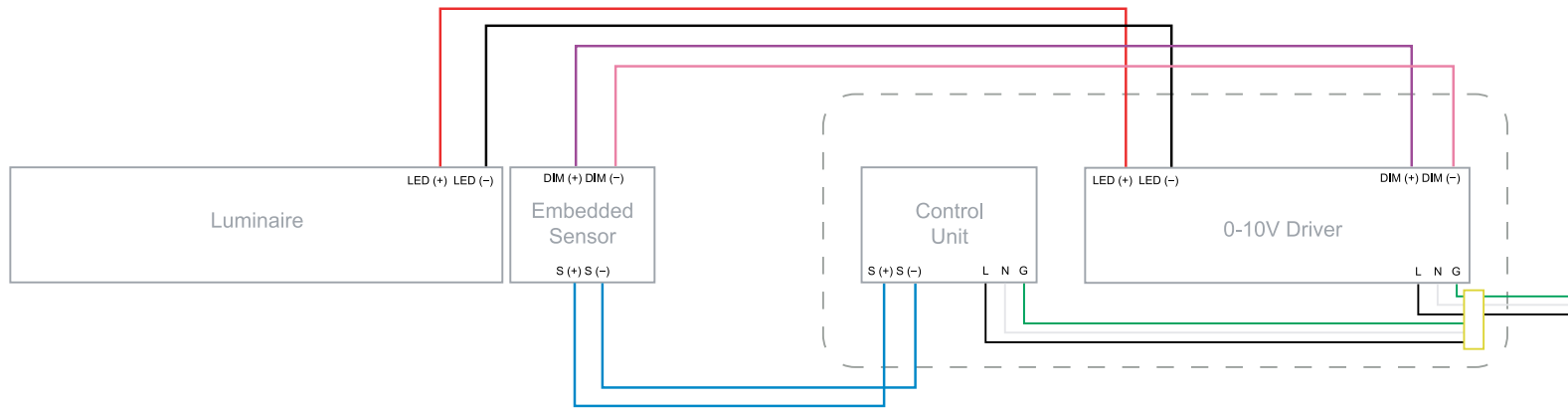
B DALI D4i driver without control unit



A Lutron Ecosystem or DALI driver with control unit



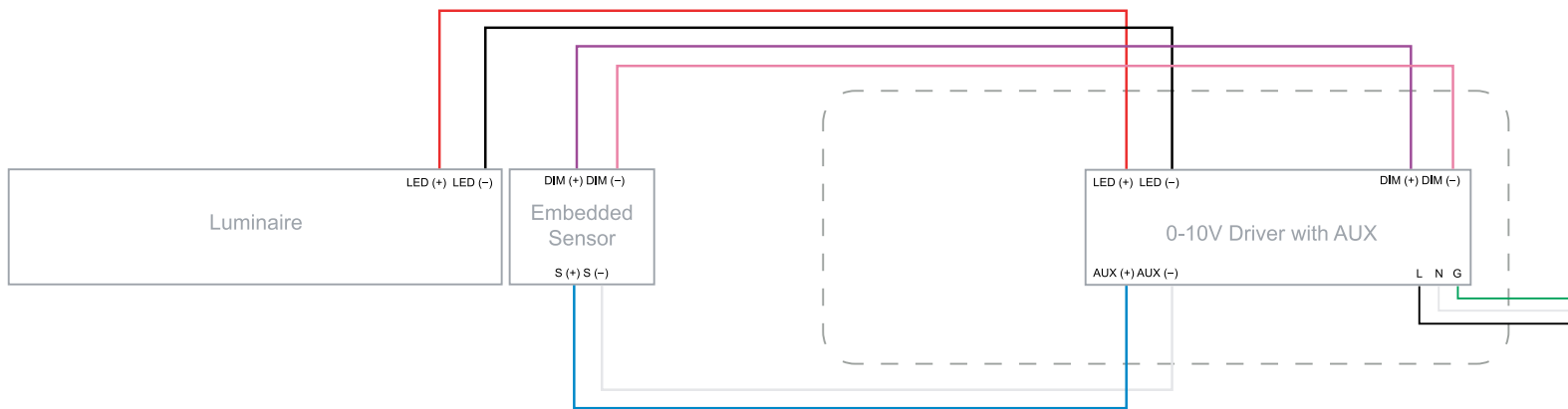
B 0-10V driver with control unit



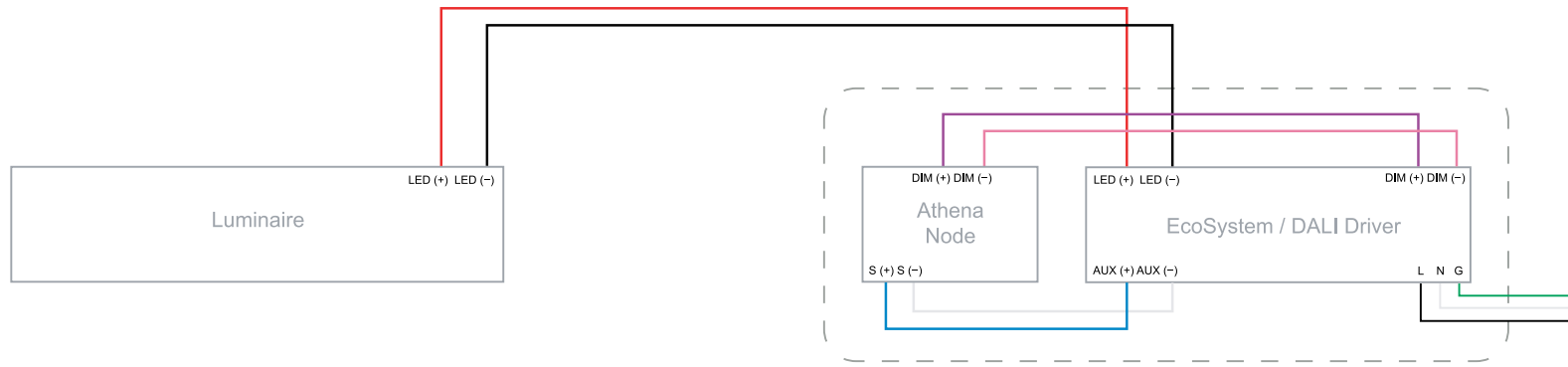
C DALI D4i driver without control unit



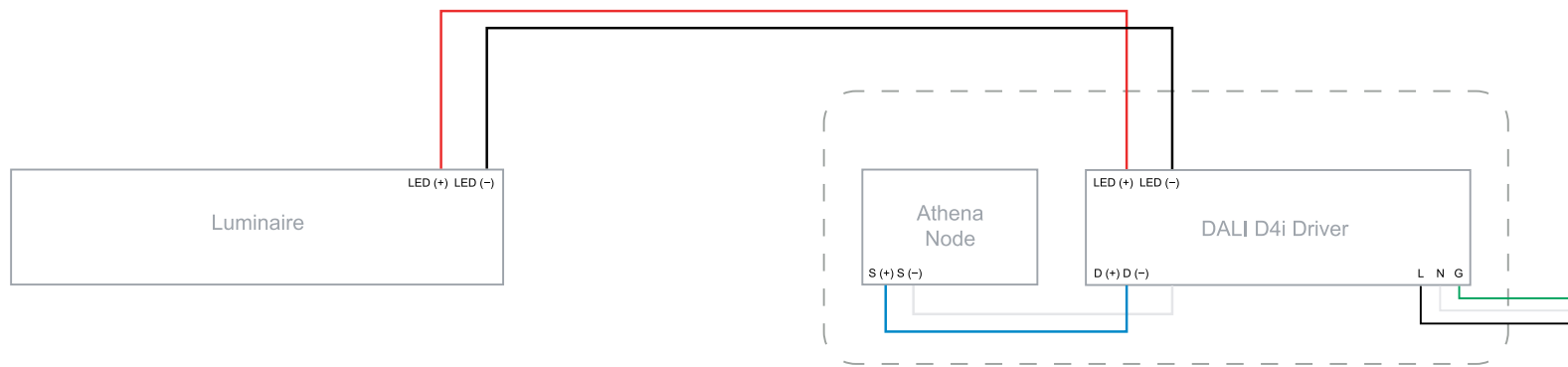
D 0-10V driver with AUX, no control unit



E 0-10V driver with AUX, node only



F D4i driver, node only



Troubleshooting Guide

My fixture will not turn on:

Check all wiring is correct and all connections are fastened properly.

If all wiring is correct, remove fixture and connect it to a known working driver.

If the fixture lights up, then the problem is with the installed driver or wiring:

- 1) Check line voltage to driver is present.
- 2) Check driver wiring (see **Vode Power Guide for details**) and check wiring to fixture.
- 3) Check driver and dimming system are compatible (see Vode Power Guide and the dimmer manufacturer's website).
- 4) Check that all rails are installed level to allow all power connections to be made properly. Levelness of the rail is essential.

If fixture still doesn't light up, check that all dimming wires are installed correctly. Reversed polarity on any driver will cause the entire system to not work, (see **Vode Power Guide for wiring details**).

The fixture is not dimming properly:

Check all wiring is correct and all connections are fastened properly.

Check driver and sensor control wiring (see **Vode Power Guide, vodeCONNECT Brochure**) and the sensor control manufacturer's website for further details).

For any help with installation or technical information, contact Vode Tech Service at 707-996-9898.

Important Notes

- Listed to UL standards for damp location by a Nationally Recognized Testing Laboratory (NRTL) recognized by OSHA
- Power Type: Class 2 (<60v) constant current driver.
- Dimming curve is factory preset to linear. Logarithmic is available upon request. See Vode Driver Guide for specific details and wiring diagram.
- Unless specified, one driver and one sensor per rail will be supplied.
- Please consult sensor manufacturer's product technical sheets for additional information.
- 5 Year Limited Warranty. All material and component parts manufactured by Vode are guaranteed to be free from defects of material and/or workmanship for a period of 5 years from date of sale. Product must be installed according to Vode installation instructions and accepted trade practices. Power supplies and other auxiliary equipment are not covered under Vode warranty but may be covered by separate OEM warranty.